

1

2

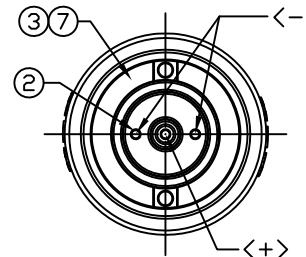
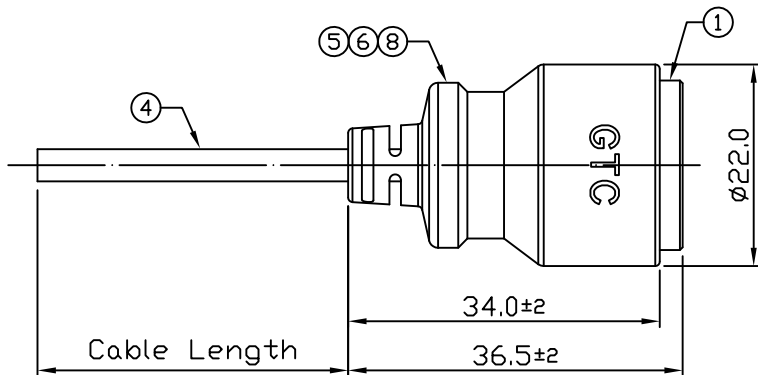
3

4

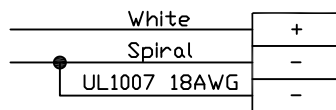
Notes: (Unless Otherwise Specified)

- 1. DWV: 500 Vrms
- 2. Rated Voltage: 30V AC/DC
- 3. Insulation Resistance: 100 MΩ MIN.
- 4. RoHS Compliant.

REV	ECN#	DESCRIPTION OF REVISION	DRAW BY DATE	CHECK BY DATE	APPROVE BY DATE
01		PRELIMINARY	Hank 12/14/17	Lucas 12/14/17	Ray 12/14/17



8	Wire	UL1007 18AWG Color: Black	1
7	Steel Sheet	SUS Finish: -	2
6	Over Mold	PVC Color: Black	1
5	Inner Mold	Thermoplastic Color: White or Black	1
4	Cable	UL1185 18AWG*1C+Spiral ØD=3.5mm, Color: Black	1
3	Magnet	Nd-Fe-B N50 Finish: Ni	2
2	Contacts	Copper Alloy Finish: Au Plated	3
1	Housing	Thermoplastic Color: Black	1
Item	Part Name	Material / Finish	Q'ty



Wiring Diagram

2000mm	+100
Cable Length	Tol.

TITLE		Mating Part 176-0897				REV
Magnetic 5A 2 Contacts rotating 360 degrees Cable End With Cable						01
	B	1:1	Hank 12/14/17	Lucas 12/14/17	Ray 12/14/17	X.X ± 0.5 X.XX ± 0.2
THIRD ANGLE PROJECTION	SIZE	SCALE	DRAW / DATE	CHECK / DATE	APPROVE / DATE	X.XXX ± 0.05 ANGLES ± 1°
						mm
						1/1
						TOLERANCES
						UNIT
						SHEET

Part No.
176-0896

1

2

3

4