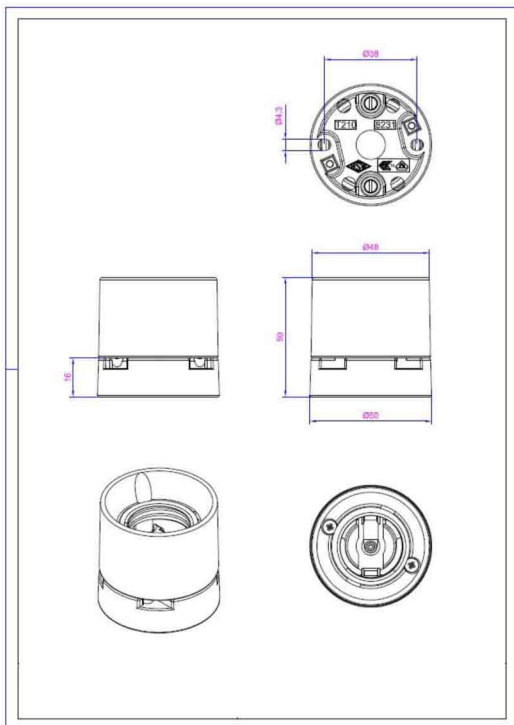


## 1766-8231

### Porcelain socket HSW 8231

#### Technical data

Type of socket	Two-piece porcelain socket E27
Rated voltage	750 V
Rated current	4 A
Rated temperature	210 °C
Mounting	Through hole mounting for M4 (Hole spacing 38 mm)
Connection	0,5 mm <sup>2</sup> up to 2,5 mm <sup>2</sup>



#### Delivery content

Nickel-plated brass contacts

Middle contact with spring loaded contact