

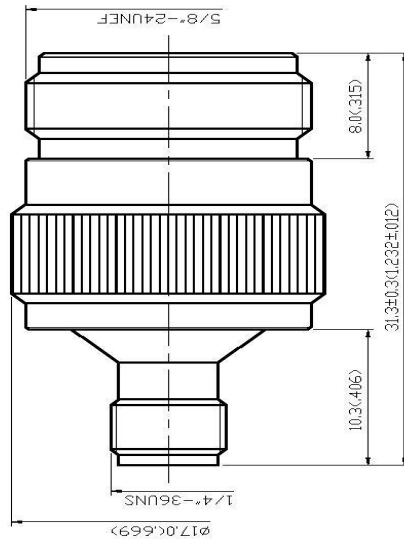
# Datasheet

## RS PRO STRAIGHT SMA JACK-N JACK ADAPTER

Stock number: 176-6966

EN

NO	DESCRIPTION	DATE
1	BACKGROUND FORMAT UPDATED	07.11.02
2	BACKGROUND FORMAT UPDATED	09.30.08
3	WORKING VOLTAGE → VOLTAGE RATING	10.16.13
4	DEL. PRODF. VOLTAGE	



### 1.0 ELECTRICAL

- 1.1 FREQUENCY RANGE: DC-11 GHz
- 1.2 NOMINAL IMPEDANCE: 50 OHMS
- 1.3 VOLTAGE RATING: 500 VOLTS MAX.  $\Delta$
- 1.4 VSWR: 1.3 MAX.

### 2.0 MATERIALS

- 2.1 BODIES: BRASS PER JIS-C3604
- 2.2 CENTER CONTACT: BERYLLIUM COPPER PER ASTM B198 UNS C17300
- 2.3 INSULATION: TEFLON PER ASTM D1457 AND ASTM D1710

### 3.0 FINISHES AND OTHERS

- 3.1 SEE BELOW TABLE FOR DETAILS.

### 4.0 MECHANICAL

- 4.1 REFERENCE IN ACCORDANCE WITH: MIL-STD-348A.

### 5.0 ENVIRONMENTAL

- 5.1 OPERATING TEMPERATURE RANGE: -65° C TO +165° C

NO	DESCRIPTION	MATERIAL	QTY	FINISH
4	BODY II	BRASS	1	NICKEL 100µ MIN
3	CENTER CONTACT	BERYLLIUM COPPER	1	GOLD
2	INSULATION	TEFLON	1	NONE
1	BODY I	BRASS	1	NICKEL 100µ MIN

APPROVED by \_\_\_\_\_ DATE: \_\_\_\_\_

製圖	檢圖	承認	DESCRIPTION	品名	TITLE	UNIT	DWG. NO.	DATE	REV.
Yoko	X		STRAIGHT SMA JACK-N JACK ADAPTER	19-35-2	TIGIN	mm(in)	19-0123	11.02.95	A-3
Arc	XX			NRHS COMPLIANT (500)					
XXX	XXX								
ANGLE	±5°								
SCALE	例	4:1							