

## Blade Fuse Holders - FLR PCB Fuse Holder for ATO® Style Blade Fuse Rated 80V

RoHS



### Specifications

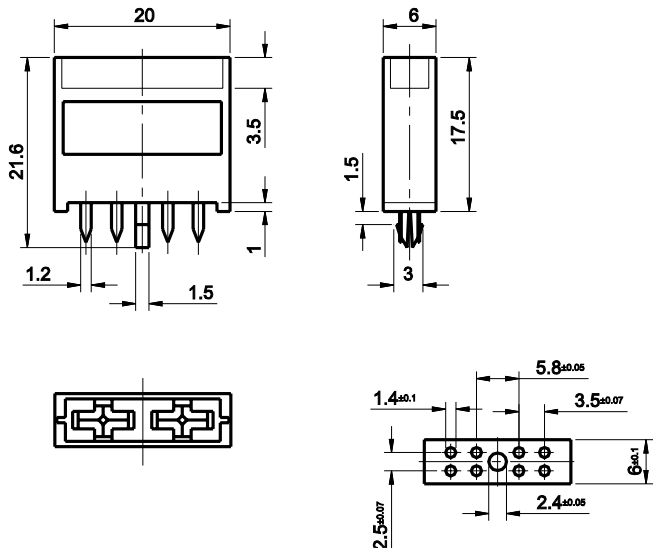
- Housing:** Out of thermoplastic (UL 94-V0, heat-resistant)
- Connections:** Leaf spring connector systems, soldering terminals (4 pins each), copper alloy, silver plated
- Color:** Black
- Packaging:**

Series Serien	Pack Size
178.6165.xxx1	100
178.6165.xxx2	500

PCB Fuse Holder for ATO / FKS size fuse-links. For through hole soldering. Rated voltage 80V.

PCB-Sicherungshalter für Sicherungen in ATO / FKS-Größe. Durchlötmontage, Nennspannung 80V.

### Dimensions in mm / Maße in mm



Fuse Holders  
PCB

Part Number Artikel-Nr.	Description Beschreibung	Contact Temperature Kontakttemperatur
178.6165.000_	Complete	max. 130°C

Corresponding fuse links see Section "Blade Fuses."