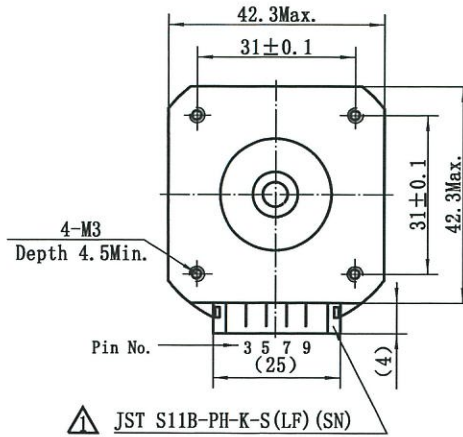
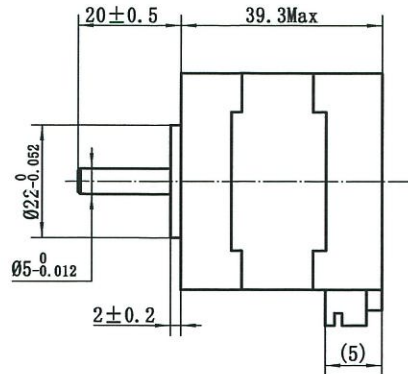
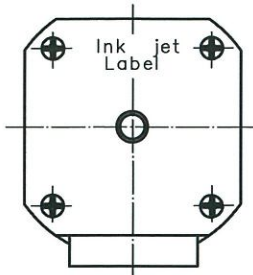
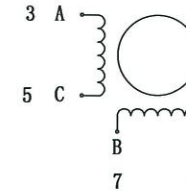


4611110006550



△ JST S11B-PH-K-S(LF) (SN)

接线图
Wiring Diagram



励磁顺序 vs. 旋转方向
Exciting Sequence vs. Direction of Rotation

STEP	A	B	C	D	CW
1	+	+	-	-	↑
2	-	+	+	-	
3	-	-	+	+	
4	+	-	-	+	

从安装面看为顺时针方向
Clockwise view from mounting side

规格 Specifications

1. 相数 Number of Phase	2
2. 步距角 Step Angle	1.8°
3. 额定电压 Rated Voltage	8 V DC
4. 额定电流 Rated Current	0.8 A
5. 保持力矩 Holding Torque	410mNm MIN(Two phase on/rated current)
6. 相电阻 Phase Resistance	10ohm±10%(20° C)
7. 相电感 Phase Inductance	17mH±20%(1kHz 1V rms)
8. 转子惯量 Rotor Inertia	38gcm ²
9. 电机重量 Motor Weight	0.24kg
10. 绝缘等级 Insulation Class	B(130° C)

铭牌 Label Detail



Unit: mm
第一角画法
FIRST ANGLE METHOD
未注线性与角度尺寸公差
tolerances for linear and angular dimensions without individual tolerance indications
GB/T 1804-m eqv ISO 2768-1:m
未注形状与位置尺寸公差
Geometrical tolerance for features without individual tolerance indications
GB/T 1184-K eqv ISO 2768-2:K

批准 Approve	李芳琴 3.16
标准化 Standard	李芳琴 3.16
工艺 Technology	李芳琴 3.24
审核 Check	李芳琴 3.24
设计 Design	石芳琴 2020.03.24

MOONS' Hybrid Stepping Motor
Shanghai Moons' Electric Co., Ltd.

This document is released for information only. Its reproduction in whole or in part or its dissemination to third parties is prohibited. All trademarks and registered trademarks appearing on this document are the property of their respective owners.

B	MOLEX 89401-1160	2020.03.24
A	原始版本 Original revision	2013.02.28
REV.	版本记录 REVISION RECORD	DATE