

## Features

- DPST Rocker Switch
- Red Illuminated
- 28x22mm cutout
- 01 marking
- 20A/250VAC

## RS PRO Rocker Switches

RS Stock No.: 1858229



RS PRO is the own brand of RS. The RS PRO Seal of Approval is your assurance of professional quality, a guarantee that every part is rigorously tested, inspected, and audited against demanding standards. Making RS PRO the Smart Choice for our customers.

## Product Description

*This mains voltage rocker switches illuminates red ensuring it stands out within a panel. It is a stylish, robust switch with a current rating of 20A and a mechanical lifespan of 50,000 cycles. Applications are varied including:*

- *Domestic appliances*
- *Medical equipment*
- *HVAC products*
- *Cleaning machines such as vacuum cleaners & steam cleaners*

## General Specifications

Contact Configuration	DPST
Switch Operation	On-Off, Latching
Illuminated	Yes
Actuator Colour	Red
Actuator Shape	Rectangular
Legend Text	0 I
Legend Text Colour	White
Contact Material	Silver
Case Material	PA66
Actuator Style	Rocker

## Electrical Specifications

Contact Current Rating	20A
AC Voltage Rating	250VAC / 125VAC
Terminal Type	Tab
Termination Style	6.3mm
Electrical Life	10,000 cycles
Illumination Voltage	250VAC

## Mechanical Specifications

Panel Cut Out Size	28.2x22.3mm
Mounting Type	Panel
Mechanical Life	50,000 Operations
Unit Weight	12.8g
Contact Opening	Full disconnection $\geq 3\text{mm}$

## Operation Environment Specifications

Max. Operating Temperature	Max 125°C / 55°C
----------------------------	------------------

## Protection Category

IP Rating	IP40
Glow Wire Test	850°C

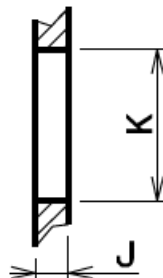
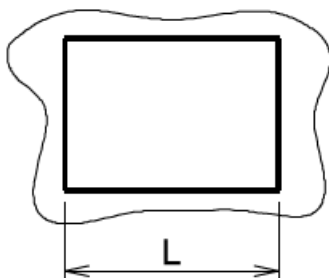
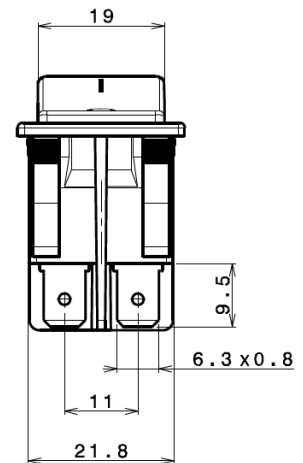
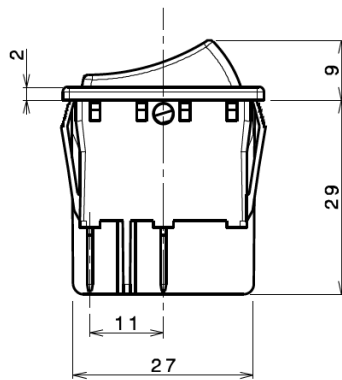
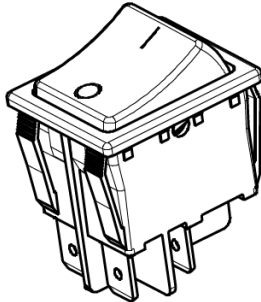
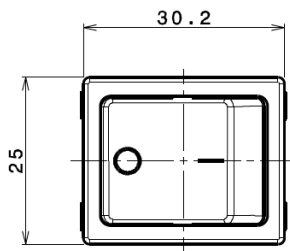
## Classification

Class of Appliance	II
--------------------	----

## Approvals

Compliance/Certifications	ENEC, EN61058, UL 1054, CQC
Declarations	CE, UKCA

## Dimensions (mm)



L	K	J
28.2 $^{+0.1}_0$	22.3 $^{+0.1}_0$	0.7+3.5