

## Datasheet

# RS PRO Flange Mount

Flange mounts are ideal for use on static applications such as small pumps, engines and light electronic equipment.

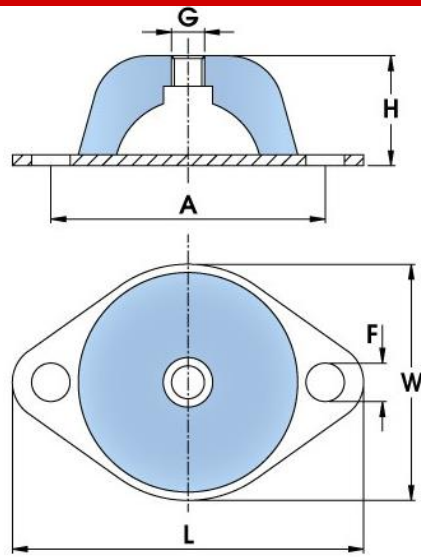


### Features:

- Achieves high isolation values (both active and passive) of low frequency vibration
- Attenuates shock loads due to its deflection capacity
- Available in mild steel metal for food & mining industry applications

### Applications:

- Fans • Pumps • Stationary generator sets
- Vibrating screens
- Bulk bin load and discharge units
- Computers, security cameras
- Packaging and transit case mountings



RS Code (mm)	Rubber Hardness (ShA)	H	L	W	G	A	F	Shape
1893226	70	25	85	59	M10	66	8	Oval
1893240	40	25	85	59	M8	66	8	Oval
1893238	60	25	85	59	M8	66	8	Oval
1893230	70	25	85	59	M8	66	8	Oval

RS Code (mm)	Max Kg's	Max mm
1893226	58.8	6.6
1893240	17.3	3.4
1893238	40	4.5
1893230	58.8	6.6