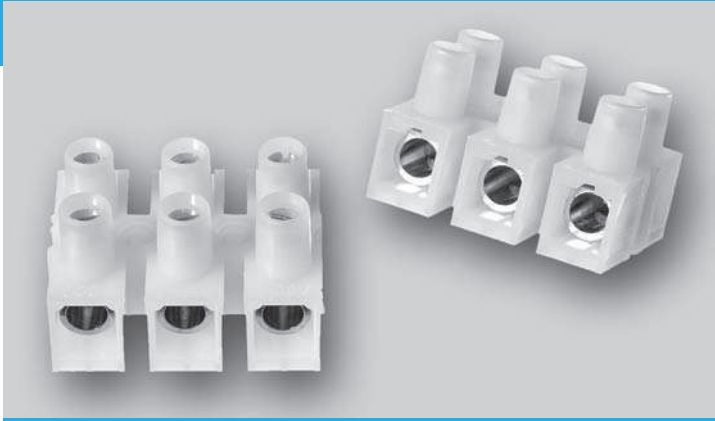


Europa Series Terminal Blocks



2000

Connection: conductor size 0.5 - 10.0 mm² (with wire protector)
conductor size 0.5 - 16.0 mm² (without wire protector)

Fixing: by screw or rivet size Ø 4.3 mm

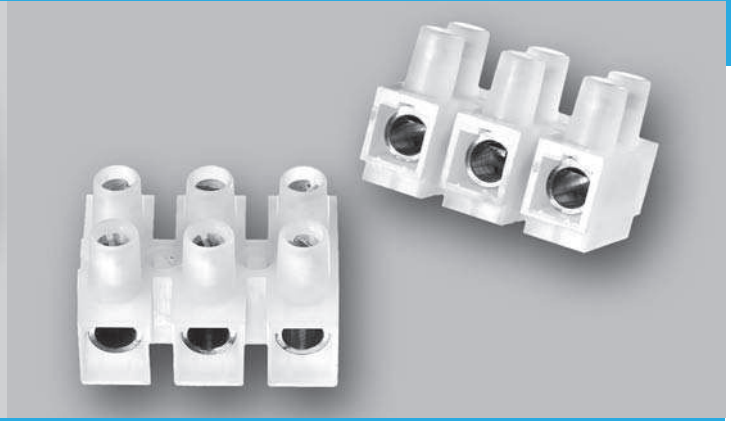
Torque screw: M5: ⤵ max. 2.0 Nm

Stripping length: 10 - 10.5 mm

Important approvals: VDE, UL

Accessories: strain reliefs , marking labels (page 85)

Upon request: 7 - 11 pole, center stop MDS, printing, different polyamides (in particular glow wire to EN 60335-1), different screws



2000 K with Raised Base

Connection: conductor size 0.5 - 10.0 mm² (with wire protector)
conductor size 0.5 - 16.0 mm² (without wire protector)

Fixing: by screw or rivet size Ø 4.3 mm

Torque screw: M5: ⤵ max. 2.0 Nm

Stripping length: 10 - 10.5 mm

Important approvals: VDE, UL

Accessories: strain reliefs , marking labels (page 85)

Upon request: 7 - 11 pole, center stop MDS, printing, different polyamides (in particular glow wire to EN 60335-1), different screws

Description	Item	Order Number	PU	Description	Item	Order Number	PU
with Wire Protectors				with Wire Protectors			
1 pole	2000/ 1 DS	128301	200	1 pole	2000 K/ 1 DS	128701	200
2 pole	2000/ 2 DS	128302	120	2 pole	2000 K/ 2 DS	128702	120
3 pole	2000/ 3 DS	128303	80	3 pole	2000 K/ 3 DS	128703	50
4 pole	2000/ 4 DS	128304	60	4 pole	2000 K/ 4 DS	128704	40
5 pole	2000/ 5 DS	128305	250	5 pole	2000 K/ 5 DS	128705	40
6 pole	2000/ 6 DS	128306	40	6 pole	2000 K/ 6 DS	128706	40
12 pole	2000/12 DS	128312	20	12 pole	2000 K/12 DS	128712	15
without Wire Protectors				without Wire Protectors			
1 pole	2000/ 1	128201	200	1 pole	2000 K/ 1	128601	200
2 pole	2000/ 2	128202	120	2 pole	2000 K/ 2	128602	120
3 pole	2000/ 3	128203	80	3 pole	2000 K/ 3	128603	50
4 pole	2000/ 4	128204	60	4 pole	2000 K/ 4	128604	40
5 pole	2000/ 5	128205	40	5 pole	2000 K/ 5	128605	40
6 pole	2000/ 6	128206	40	6 pole	2000 K/ 6	128606	40
12 pole	2000/12	128212	20	12 pole	2000 K/12	128612	15

