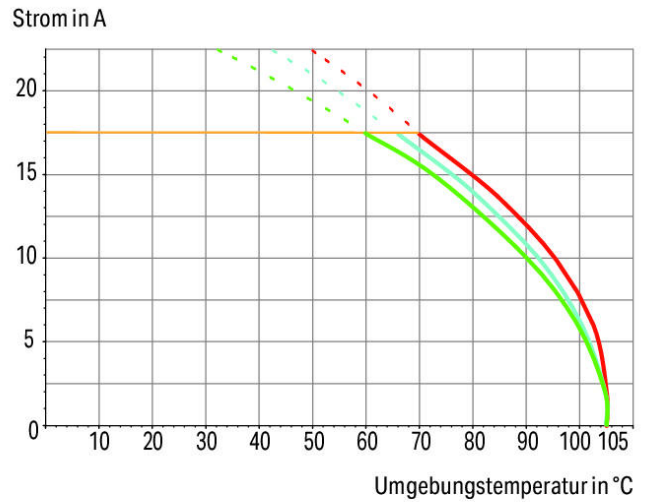


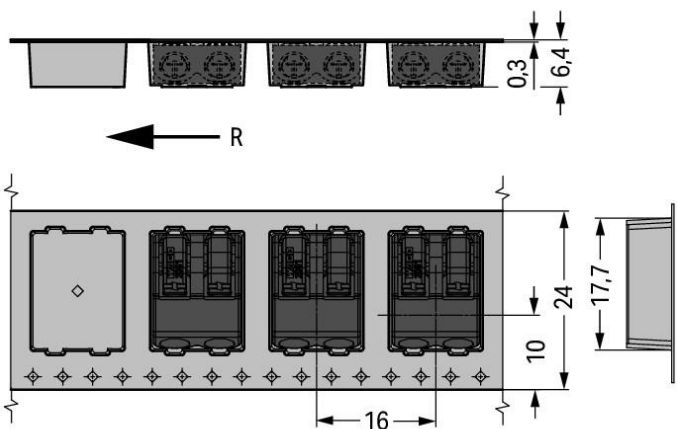
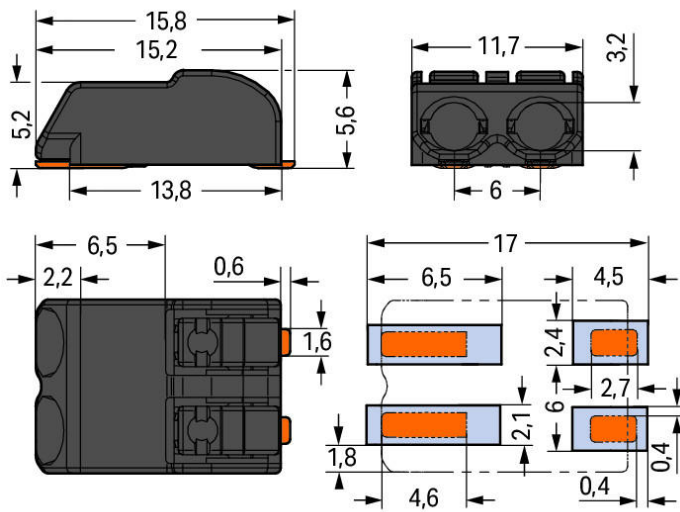


**Strombelastbarkeitskurve**  
Rastermaß 6 mm / Leiterquerschnitt 1,5 mm<sup>2</sup> „e“  
In Anlehnung an: EN 60512-5-2 / Reduktionsfaktor 1



2-, 4-, 6- polig

— Leiterbemessungsstrom



R = Feed direction



### Item description

- SMD PCB terminal blocks with Push-in CAGE CLAMP<sup>®</sup> connection and push-buttons
- Just 5.6 mm tall
- Push-in termination of solid and ferruled conductors
- Push-buttons simplify insertion/removal of all conductor types
- Available in tape-and-reel packaging for automated assembly

### Note:

#### Application notes:

Suitable for lead-free, reflow-soldering profiles per DIN EN 61760-1 and IEC 60068-2-58 up to max. 260°C peak temperature. Due to customer-specific variables (e.g., component configuration and orientation, type of soldering machine, solder paste), trial runs are recommended to ensure product and process compatibility under actual manufacturing conditions.

### Recommendation:

Recommendation for SMD stencil:

Material thickness, 150 µm. Pattern layout identical to solder pad layout.

### Data

#### Electrical data

### Ratings per IEC/EN 60664-1

|                                 |   |
|---------------------------------|---|
| Rated voltage (III / 3)         | 250 V   |
| Rated impulse voltage (III / 3) | 4 kV  |
| Rated voltage (III/2)           | 320 V   |
| Rated impulse voltage (III / 2) | 4 kV  |
| Rated voltage (II / 2)          | 630 V   |
| Rated impulse voltage (II / 2)  | 4 kV  |
| Rated current                   | 17.5 A  |
| Legend (ratings)                | (III / 2) $\hat{=}$ Overvoltage category III / Pollution degree 2 |

### Approvals per UL 1059

|                                |       |
|--------------------------------|-------|
| Rated voltage UL (Use Group B) | 300 V |
| Rated current UL (Use Group B) | 10 A  |
| Rated voltage UL (Use Group D) | 300 V |
| Rated current UL (Use Group D) | 10 A  |

### Connection data

|   |   |
|---|---|
| Connection technology                                       | Push-in CAGE CLAMP®                         |
| Actuation type  | Push-button                                 |
| Solid conductor   | 0.5 ... 1.5 mm <sup>2</sup> / 20 ... 16 AWG |
| Fine-stranded conductor                                     | 0.5 ... 1.5 mm <sup>2</sup> / 20 ... 16 AWG |
| Fine-stranded conductor with ferrule with plastic collar    | 0.5 ... 0.75 mm <sup>2</sup>                |
| Fine-stranded conductor with ferrule without plastic collar | 0.5 ... 0.75 mm <sup>2</sup>                |
| Strip length  | 7 ... 10 mm / 0.28 ... 0.39 Inch            |
| Conductor entry angle to the PCB                            | 0°  |
| No. of poles  | 2   |
| Total number of connection points                           | 2   |
| Total number of potentials                                  | 2   |
| Number of connection types                                  | 1   |
| Number of levels  | 1   |

### Geometrical Data

|  |                    |
|--|--------------------|
| Pin spacing                              | 6 mm (0.24 in)     |
| Width                                    | 11.7 mm / 0.461 in |
| Height                                   | 5.6 mm / 0.22 in   |
| Height from the surface                  | 5.6 mm / 0.22 in   |
| Depth                                    | 15.8 mm / 0.622 in |
| Reel diameter of tape-and-reel packaging | 330 mm             |
| Tape width                               | 24 mm              |

## PCB contact

|             |     |
|-------------|-----|
| PCB contact | SMD |
|-------------|-----|

## Material Data

|                             |                          |
|-----------------------------|--------------------------|
| Color                       | black                    |
| Material group              | I                        |
| Insulating material         | Polyphthalamide (PPA GF) |
| Flammability class per UL94 | V0                       |
| Contact material            | Copper alloy             |
| Contact plating             | tin-plated               |
| Weight                      | 1.053 g                  |

## Environmental Requirements

|                         |                |
|-------------------------|----------------|
| Limit temperature range | -60 ... 105 °C |
|-------------------------|----------------|


## Commercial data

|                    |               |
|--------------------|---------------|
| Country of origin  | CH            |
| GTIN               | 4055143240758 |
| Customs Tariff No. | 85369010000   |

## Country specific Approvals

| Logo   | Approval                        | Certificate name |
|--|---------------------------------|------------------|
|  | CCA<br>DEKRA Certification B.V. | NTR NL-7459      |

## UL-Approvals

| Logo   | Approval                                | Certificate name |
|--|---|------------------|
|  | cURus<br>Underwriters Laboratories Inc. | E45172           |

Subject to changes.