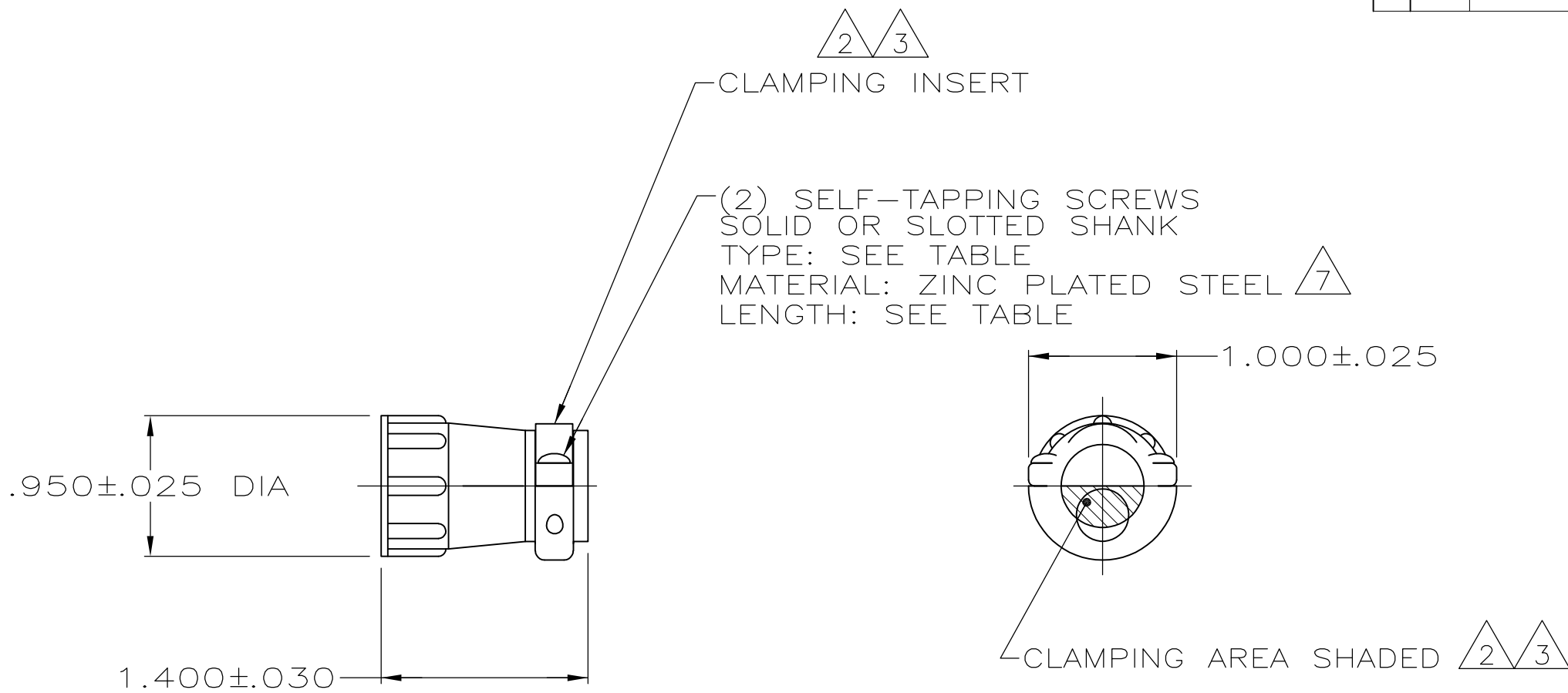


THIS DRAWING IS UNPUBLISHED. RELEASED FOR PUBLICATION
 © COPYRIGHT BY TYCO ELECTRONICS CORPORATION. ALL INTERNATIONAL RIGHTS RESERVED.

LOC	DIST	REVISIONS					
FT	0	P	LTR	DESCRIPTION	DATE	DWN	APVD
		M		REVISED PER ECO-08-029122	22NOV08	HMR	MS



$\triangle 2 \triangle 7$	$\triangle 5$ BULK	$.50 \pm .05$	#5-20	206966-9
$\triangle 2 \triangle 7$	SMALL PACK	$.50 \pm .05$	#5-20	206966-8
$\triangle 2 \triangle 7$	INDIVIDUAL	$.50 \pm .05$	#5-20	206966-7
$\triangle 7$	SMALL PACK	$.50 \pm .05$	#5-20	206966-6
$\triangle 2$	AMP BRAZIL USE ONLY	$12\text{mm} \pm .8$	3mm-20	$\triangle 6$ 206966-5
	INDIVIDUAL	$.50 \pm .05$	#5-20	$\triangle 6$ 206966-4
$\triangle 7$	$\triangle 5$ BULK	$.50 \pm .05$	#5-20	206966-2
$\triangle 7$	INDIVIDUAL	$.50 \pm .05$	#5-20	206966-1
	PACKAGING	SCREW LENGTH	SCREW TYPE	PART NUMBER

- 1 PARTS PACKAGED UNASSEMBLED.
- $\triangle 2$ CABLE CLAMPING AREA ADJUSTABLE FROM .010 TO .161 SQ IN BY REVERSING CLAMPING INSERTS. (2 INSERTS SUPPLIED).
- $\triangle 3$ CABLE CLAMPING AREA ADJUSTABLE FROM .010 TO .161 SQ IN BY CHANGING CLAMPING INSERTS. (4 INSERTS SUPPLIED, -4 ONLY).
- 4 .453 MAXIMUM CABLE OUTSIDE DIAMETER.
- $\triangle 5$ BULK PACKAGED KITS TO BE ORDERED IN MULTIPLES OF 200 ONLY.
- $\triangle 6$ OBSOLETE PART NUMBER.
- $\triangle 7$ ZINC PLATED NON-HEXAVALENT CHROMATE.

THIS DRAWING IS A CONTROLLED DOCUMENT.		DWN A GRAFF 4/23/91	Tyco Electronics Corporation Harrisburg, PA 17105-3608	
DIMENSIONS: INCHES		CHK W.G.LENKER 7-23-92	CABLE CLAMP KIT, STANDARD, SHELL SIZE 13, CPC	
TOLERANCES UNLESS OTHERWISE SPECIFIED:		APVD -	NAME	
0 PLC ± -		PRODUCT SPEC 108-10024	SIZE A3	
1 PLC ± -		APPLICATION SPEC	CAGE CODE 00779	DRAWING NO C-206966
2 PLC ± -		WEIGHT -	RESTRICTED TO -	
3 PLC ± -		CUSTOMER DRAWING		
4 PLC ± -		SCALE NTS		
ANGLES ± -		SHEET 1 OF 1		
FINISH -		REV M		