

Single-phase soft-start modules

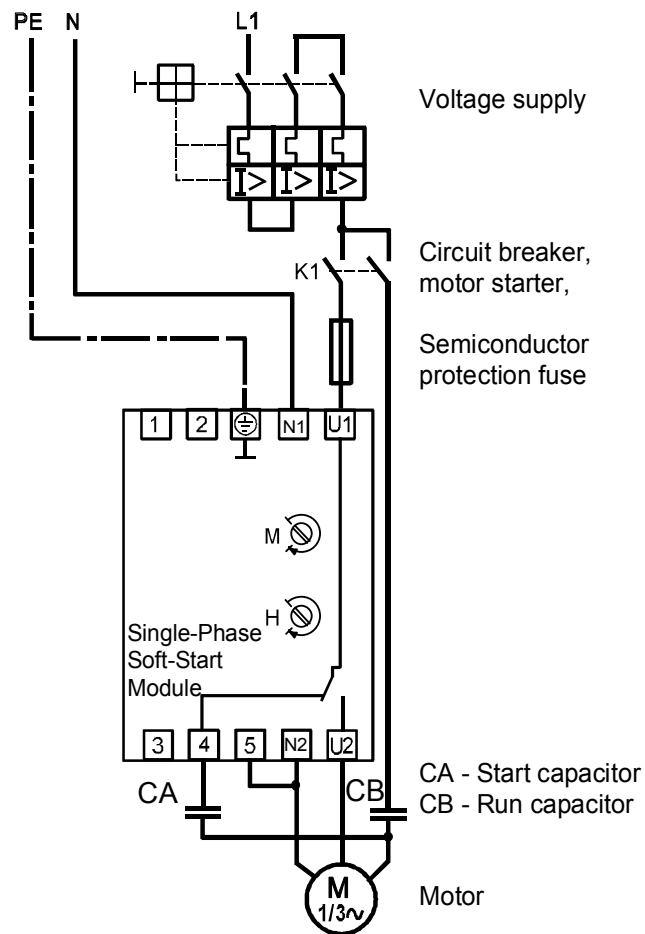
Instruction Leaflet



Size 0.25...2.2 kW

RS stock no. 209-6340

Figure 1 Connection diagram



General

The problems associated with starting shock of DOL started induction motors can be cured with the help of **RS** Single-Phase Soft-Start Modules. **RS** Single-Phase Soft-Start Modules are suitable for use with single-phase induction motors up to 2.2 kW. The compact size and easy connection of these modules makes retrofitting simple. The adjustments of switch-on torque and run-up ramp time enable easy adjustment for a particular application.

This gives the user the benefits of:

- | | |
|-----------------------|---|
| Mechanical | <ul style="list-style-type: none"> • Reduced cost of transmission components • Low adjustable starting torque |
| Conveyer belts | <ul style="list-style-type: none"> • Falling over, banging or slipping of products eliminated |
| Electrical | <ul style="list-style-type: none"> • Reduced starting current |

Adjustment procedure

1. Set potentiometer M (starting torque) and potentiometer H (run-up ramp), both fully counter clockwise.
2. Increase potentiometer M in a clockwise direction until the switch-on torque is enough to start the drive immediately on connection of the power.
3. Increase potentiometer H in a clockwise direction until the drives ramps up smoothly. Turn as far clockwise as possible whilst retaining a smooth soft-start characteristic. The module is correctly adjusted if the internal bridging relay is heard to close as soon as the drive has ramped up.

Adjustment ranges

Designation, Meaning	Scaling	Explanation
M - Switch-on torque		Rated torque
H - Run-up ramp		Time until bridging relay closes

Note

- The **RS** Single-Phase Soft-Start Modules are for use with the following motors:
 - Capacitor start, capacitor run with centrifugal switch
 - Permanent capacitor
 - Capacitor start, capacitor run with internal switching facility (max. current in C_A is 2 A)
- The use of measuring equipment with a high voltage for example, a megger, can result in damage to the **RS** Single-Phase Soft-Start Modules.
 - - Suggestion for initial setting (initial factory setting)
The above values are approximate values only

Technical specifications

Electrical	RS Stock no. 209-6340	
Rated Voltage	1/N AC 230 V +10-15 %	
Rated Frequency	50/60 Hz ±2 %	
Rated Motor Power	2.2 kW	
Min. Motor Power	0.25 kW	
Rated current	12 A	
Max starting duty* at 2.5 I_N :		
- side-by-side	12 %	
- intermediate spacing 10 mm	15 %	
EN 60947-4-2:		
- Utilization category	12 A: AC-53b: 2.5-15: 110	
- Form designation	2 (Soft starting only)	
Loss after ramp up	2 W	
Overvoltage category to IEC 664-1 (1992)/ Rated insulation voltage to PE	III / AC 230 V only for use with TT/TN supplies with earthed neutral	
	II / AC 400 V	
Terminals	1.0...2.5 mm ² multistrand with end ferrules	
D style semiconductor protection fuse type gR, recommended RS Stock No. (for prospective short-circuit current up to 50 kA)	30 A 422-514	
* Starting duty refers to the percentage of operating time the RS Single-Phase Soft-Start Module is performing soft starting.		
Environment	Permissible temperatures:	Operation: 0... +40 °C Storage: -25... +55 °C Transport -25... +70 °C
	Climatic conditions:	Class 3K3 to EN 60721-3-3 (5...85 % relative humidity). The cooling air must have little dust and be non corrosive and non flammable.
	Pollution:	Degree 2 to IEC 664-1 (1992): Dry non conducting dust or particles, infrequent light condensation when switched off permissible
	Altitude:	max. 2000 m NN above sea level, ≥ 1000 m: 1,5 % / 100 m power derating
Safety	Relevant standards:	EN 60947-4-2 (1996), prEN 50178 (1996)
	Protective class:	I to IEC 536 (1976) i.e. basic insulation with PE connection (protective earth). The user is responsible for the PE connection.
	IP Protection:	IP20 to EN 60529 (1991) Finger protection
Installation	Weight (approx.)	400 g
	Dimensions:	Height 75 mm Width 45 mm Depth 120 mm
General	Technical data subject to change without notice	

Planning the installation

Intended use:

RS Single-Phase Soft-Start Modules are equipment to be mounted in a suitable enclosure (e.g. equipment cabinet) as part of a machine or electrical system.

The technical data as well as information concerning the supply conditions are to be taken from rating plate and from this data sheet and must be strictly observed.

Starting performance:

The achievable soft-start characteristic is influenced by the inertia and friction of the load. Run-up times of a few seconds are only possible if the load has significant inertia.

Voltage supply system:

To meet the requirements of the LOW-VOLTAGE DIRECTIVE these **RS** Single-Phase Soft-Start Modules may only be used with earthed neutral TT/TN supply systems.

Short-circuit protection of controller:

Fast semiconductor fuses are required for protection of the **RS** Single-Phase Soft-Start Module against short circuits on the output terminals of the controller (see Technical Data).

Wiring protection:

Short-circuit and overload protection of the wiring corresponding to the size of cable used (e.g. as in EN 60439-1, EN 60204-1 for machines) must be provided for. A circuit breaker, motor starter, or additional fuses are required.

Thermal considerations:

RS Single-Phase Soft-Start Modules are designed for continuous operation with motors up to the indicated power. Overload protection of the controller and the motor must be provided for. Suitable protection can be provided by a thermal overload relay, a motor starter or thermistor protection of the motor. Thermistor motor protection is recommended for motors with frequent starting.

Values of starting duty as in the Technical Data should not be exceeded (check spacing).

EN 60947-4-2:

EN 60947-4-2 is a standard for **RS** Single-Phase Soft-Start Modules when used with squirrel-cage induction motors. Information on the following data must be provided:

- Utilization category: 12 A: AC-53b: 2.5-15: 110;
with 12 A: Rated current I_N
AC-53b: Soft start with bypass during running
2.5-15: Max. starting current is 2.5 I_N for 15 s
110: Minimum time [s] between a completed
or a new soft-start at maximum starting
duty
- Form designation: 2 i.e. Soft start

Interference suppression:

When opening contactor or relay coils, or electric brakes, high energy R.F. interference can occur. In extreme conditions this can result in a malfunction of the **RS** Single-Phase Soft-Start Module. For this reason the coils should be fitted with suitable interference suppressors:

- DC coils: Suppressor diodes
- AC coils: RC-suppressors

Obtaining maximum immunity:

Control inputs and outputs should be wired as short as possible and away from supply, motor or control cables which could carry significant interference. A direct connection to equipment external to the metal enclosure should not be made

Warnings and safety information

In operation electronic **RS** Single-Phase Soft-Start Modules, depending on their degree of protection, may have live, uninsulated and hot surfaces.

In case of improper use, incorrect installation or maloperation, there is a danger of serious personal injury and damage to property.

These electronic **RS** Single-Phase Soft-Start Modules can effect the movement of dangerous machinery or moving constructions. The following safety precautions must be taken before commissioning:

- Provide adequate means of preventing persons from coming within the dangerous areas of machinery or moving constructions
- Verify that all measures to comply with the EMC DIRECTIVE are complied with.
- Verify if all requirements of the LOW-VOLTAGE DIRECTIVE are adhered to.
- Verify that all requirements of the MACHINERY DIRECTIVE are adhered to and that safety-relevant equipment (e.g. EMERGENCY STOP) is functioning correctly.

The successful and safe operation of this equipment is dependent on proper transport, storage, planning and as installing well as commissioning. Hazardous voltages are present in this electrical equipment during operation.

Equipment showing transport or other damage, or with insulating distances altered must not be used.

Never operate with the cover removed. Non-observance of the warning or safety instructions can result in severe personal injury or property damage.

Only *qualified trained persons* may work in an enclosure on or near these controllers. For the purpose of this documentation a "*qualified trained person*" is one who is familiar with the technical data, recommendations for planning and installing, commissioning instruction and recommended connections contained herein and the hazards involved. In addition, this person has the following qualifications:

- Is trained in the requirements to comply with the EMC DIRECTIVE
- Is trained in the requirements to comply with the LOW-VOLTAGE DIRECTIVE
- Is trained in the requirement of the MACHINERY DIRECTIVE (e.g. EN 60204-1)
- Is trained and authorized to energize, de-energize, clear, ground and tag circuits and equipment in accordance with established safety practices
- Is trained in the appropriate wiring and installation regulations including local regulations where applicable.
- Is trained in the proper care and use of protective equipment in accordance with established safety practices
- Is trained in rendering first aid

Suitable standards (IEC 364 or CENELEC 384 or DIN VDE 0100 and IEC-Report 664 or DIN 0110) are to be used to establish if a person is suitably qualified.

EC directives and regulations

'CE' marking

The 'CE' marking of the electronic **RS** Single-Phase Soft-Start Modules is at the date at which this Product Manual is issued valid for the EEC DIRECTIVES

- 89/336/EEC EMC DIRECTIVE
- 73/23/EWG LOW-VOLTAGE DIRECTIVE

Manufacturers of apparatus and machines sold as functional units are wholly responsible for issuing a Declaration of Conformity and applying the 'CE' mark.

EMC directive

RS Single-Phase Soft-Start Modules are components with a function which is determined by the construction and layout of the complete installation. It is the responsibility of user to ensure that the EMC DIRECTIVE is adhered to. The following standards are particularly relevant:

- Product Standard for AC semiconductor motor starters: EN 60947-4-2 (1996)
- RF Interference: EN 55011
- Immunity: EN 61000-4-2/-3/-4/-5

Declaration of Conformity:

A Declaration of Conformity declaring conformance of these electronic **RS** Single-Phase Soft-Start Modules with the EMC DIRECTIVE based on the Product Standard EN60947-4-2 which references the above standards for RF Interference and Immunity is available on request. Particular reference should be made to the instructions for planning the installation concerning interference suppression and immunity.

During continuous operation Interference Limit B for use in residential, commercial and light industry supplied directly from public electricity supply (including public buildings, banks, hospitals etc.) is adhered to.

Other important information:

The user should be conversant with the following issues:

- EMC 'CE' Responsibility, and in particular the CEMEP recommendations for application of the EMC DIRECTIVE to electronic power drive equipment
- Limit values of permissible EMC interference when used in:
 - Residential areas (Class B)
 - Industrial areas with own transformer station (Class A)
- Responsibility of manufacturers of apparatus and machines sold as complete functional units


Table for fault finding

Fault	Possible cause	Cure
1. Motor does not start	● Link 5-N2 missing	- Connect link
2. Drive accelerates in an uncontrolled manner	● End of ramp with full voltage comes too early ● Controller faulty	- Adjustment M/R too high, turn M/R ccw. - Return controller to supplier
3. Controller suspected to be faulty (e.g. following short circuit)	● Power semiconductors damaged. Check the terminals do not have a short circuit using a Ω -meter.	- Return controller to supplier
4. Everything tried without success		- Send circuit diagram of application and potentiometer settings by fax to your supplier

The information provided in **RS** instruction leaflet is believed to be accurate and reliable, however **RS** Components assumes no responsibility for inaccuracies or omissions, or for the use of this information, and all use of such information shall be entirely at the user's own risk.

No responsibility is assumed by **RS** Components for any infringements of patents or other rights of third parties which may result from its use. Specifications shown in **RS** Components instruction leaflets are subject to change without notice.

RS Components, PO Box 99, Corby Nothants NN17 9RS

 An Electrocomponents Company

Telephone: 01536 201234

© **RS** Components 1997

8774

Low-voltage directive

It is the responsibility of the user to ensure that the complete installation adheres to the LOW-VOLTAGE DIRECTIVE. The following standards should be considered as is appropriate:

- Product Standard for AC semiconductor motor starters: EN60947-4-2 (1996)
- Installation with power electronic equipment: prEN 50178 (1996)
- Installation regulations in electrical enclosures: EN 60439-1
- Electrical equipment of machines: EN 60204-1

Declaration of Conformity:

A Declaration of Conformity declaring conformance of these electronic **RS** Single-Phase Soft-Start Modules with the LOW-VOLTAGE DIRECTIVE based on the product standard EN 60947-4-2 (1996) and prEN 50178 (1996) is available on request. Particular reference should be made to the Technical Data and to the instructions for planning the installation.

Machinery directive

electronic **RS** Single-Phase Soft-Start Modules are components to be incorporated into machinery and may not be operated alone. A Manufacturer's Declaration is available on request. Pay particular reference to the following standard:

- Electrical equipment of machines EN 60204-1

Disposal

During transport, our products are protected by packaging as far as necessary. The packaging consists entirely of environmentally compatible material that should be taken for central disposal as valuable secondary raw materials.

Contact the relevant Local Authority department to find out about disposal, including disposal of old appliances.