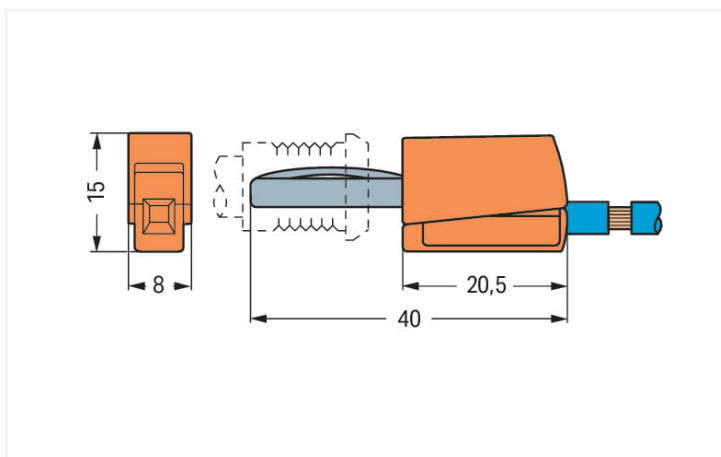


Color: ■ red



Dimensions in mm

Technical data

| | |
|----------------------------|---------------------|
| Main product function | Testing accessories |
| Total number of potentials | 1 |

Electrical data

| | |
|---------------|------|
| Rated current | 20 A |
| Test voltage | 42 V |

Connection data

| | |
|-------------------------|--|
| Connection technology | CAGE CLAMP® |
| Strip length | 9 ... 11 mm / 0.35 ... 0.43 inches |
| Connection points | 1 |
| Solid conductor | 0.08 ... 2.5 mm ² / 28 ... 14 AWG |
| Fine-stranded conductor | 0.08 ... 2.5 mm ² / 28 ... 14 AWG |

Physical data

| | |
|--------|----------------------|
| Width | 8 mm / 0.315 inches |
| Height | 15 mm / 0.591 inches |
| Depth | 40 mm / 1.575 inches |

Material data

| | |
|-----------|----------|
| Color | red |
| Fire load | 0.042 MJ |
| Weight | 3.9 g |

Environmental Product Compliance

| | |
|---|--------------------------------------|
| CAS-No. | 7439-92-1 |
| REACH Candidate List Substance | Lead |
| RoHS Compliance Status | Compliant,With Exemption |
| RoHS Exemption | 6(c) |
| SCIP notification number (Austria) | 8650673c-24e9-4182-87fd-75f4657a12ad |
| SCIP notification number (Belgium) | 3776f43f-3f5a-4648-ae4e-219e6475c726 |
| SCIP notification number (Bulgaria) | 7218efde-f5a9-4a8e-9674-6d6957118382 |
| SCIP notification number (Czech Republic) | 6b81d8c5-db39-4f71-9902-caac596d6f84 |
| SCIP notification number (Denmark) | 1c49b560-2f0b-4c64-9838-fed5d08ef021 |
| SCIP notification number (Finland) | 27757c44-5287-4d19-a83e-c3eb76d7f9da |
| SCIP notification number (France) | a9b9fdc8-49f2-41ab-a1a0-79c7bd54fd50 |
| SCIP notification number (Germany) | f86c9c1d-6b5b-4fcb-967f-87dfd241ff49 |
| SCIP notification number (Hungary) | 86e961fc-4b5f-42de-9515-eb72b040c3b3 |
| SCIP notification number (Italy) | a80103c5-c2aa-4c75-91ff-85d7539bd620 |
| SCIP notification number (Netherlands) | 344d9db5-db56-4112-8f44-efedaeadb5a3 |
| SCIP notification number (Poland) | a9f56921-d9a7-460f-8fe6-17dfaa9a1b5c |
| SCIP notification number (Romania) | 037c2db5-c1f2-4125-b56a-b22ff603d834 |
| SCIP notification number (Sweden) | 31c7b2e2-c798-4d59-b4f8-913647d91eb2 |