

GRILLE FR 58

Protective grille made of black painted metal. Decoration ring made of black plastics.

Attributes:

- Plastics: ABS

Accessory from:

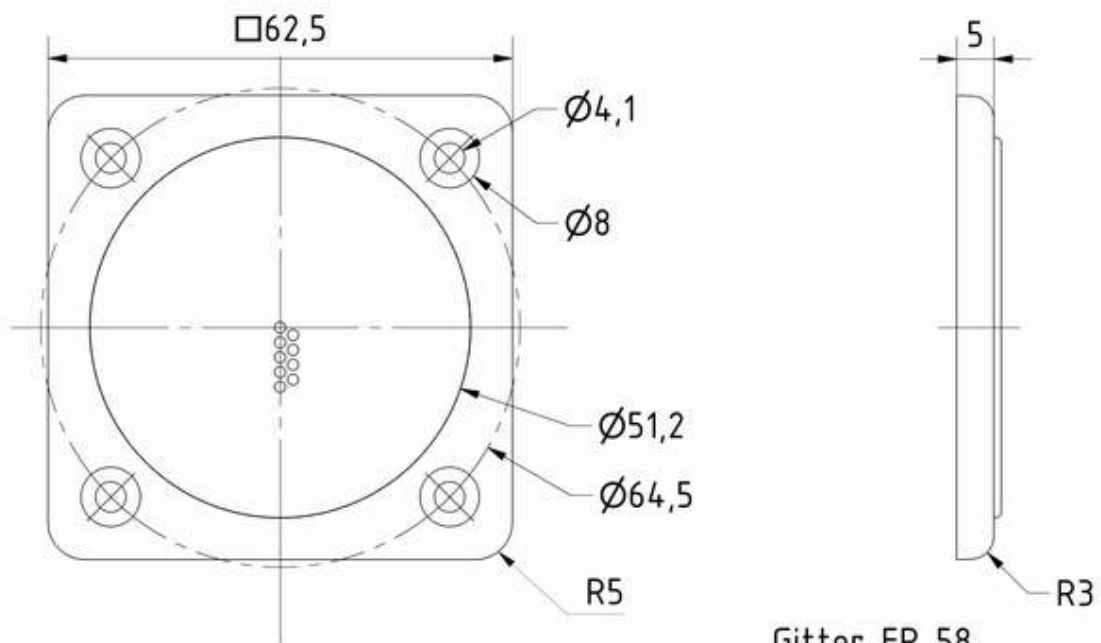
- FR 58 - 8 Ohm
- FR 58 - 4 Ohm



Technical Data

Net weight

10 g



Gitter FR 58
20.09.2019