

## Product Compliance

[For compliance documentation, visit the product page on TE.com>](#)

EU RoHS Directive 2011/65/EU	Compliant with Exemptions
EU ELV Directive 2000/53/EC	Compliant with Exemptions
China RoHS 2 Directive MIIT Order No 32, 2016	Restricted Materials Above Threshold
EU REACH Regulation (EC) No. 1907/2006	Current ECHA Candidate List: JAN 2022 (223) Candidate List Declared Against: JAN 2021 (211) SVHC > Threshold: Pb (4% in Component part) <b>Article Safe Usage Statements:</b> Do not eat, drink or smoke when using this product. Wash thoroughly after handling. Recycle if possible and dispose of the article by following all applicable governmental regulations relevant to your geographic location.
Halogen Content	BFR/CFR/PVC Free, but Br/Cl >900 ppm in other sources.
Solder Process Capability	Not applicable for solder process capability

### Product Compliance Disclaimer

This information is provided based on reasonable inquiry of our suppliers and represents our current actual knowledge based on the information they provided. This information is subject to change. The part numbers that TE has identified as EU RoHS compliant have a maximum concentration of 0.1% by weight in homogenous materials for lead, hexavalent chromium, mercury, PBB, PBDE, DBP, BBP, DEHP, DIBP, and 0.01% for cadmium, or qualify for an exemption to these limits as defined in the Annexes of Directive 2011/65/EU (RoHS2). Finished electrical and electronic equipment products will be CE marked as required by Directive 2011/65/EU. Components may not be CE marked. Additionally, the part numbers that TE has identified as EU ELV compliant have a maximum concentration of 0.1% by weight in homogenous materials for lead, hexavalent chromium, and mercury, and 0.01% for cadmium, or qualify for an exemption to these limits as defined in the Annexes of Directive 2000/53/EC (ELV). Regarding the REACH Regulation, the information TE provides on SVHC in articles for this part number is based on the latest European Chemicals Agency (ECHA) 'Guidance on requirements for substances in articles' posted at this URL: <https://echa.europa.eu/guidance-documents/guidance-on-reach>

## Compatible Parts



TE Part # CAT-076-TNCM50  
TNC Connector: Jack, 50 Ohm



TE Part # 5332342  
TWIN BNC BHD JACK TEF

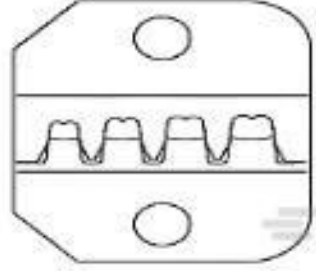


REPRESENTATION ONLY

TE Part # 220045-2  
DAHT COAXICON RG141 C ASSY



TE Part # 5228686-1  
TWIN BNC PCB RCPT



TE Part # 91902-1  
PREM SDE DIE,N SERIES RG 141



TE Part # 5225555-5  
TNC PLUG DUAL W/P TR



TE Part # CAT-076-TNCF50  
TNC Connector: Plug, 50 Ohm



TE Part # 1-225554-1  
TNC-DUAL CMP R/ANGLE PLUG-W/P



TE Part # 1057697-1  
3106 7941 00



TE Part # 1057631-1  
3101 7941 00



TE Part # 5225554-6  
TNC RT ANG PLUG DUAL



TE Part # 5225555-6  
TNC PLUG DUAL W/P TR



TE Part # 225557-6  
TNC-DUAL CMP BKHD JACK-W/P



TE Part # 1057780-1  
3152 1201 10,TNC FLANGE JACK



TE Part # 1-5225554-1  
TNC RT ANG PLUG DUAL



TE Part # 1057676-1  
3104 7941 00



TE Part # 1057679-1  
3104 7985 00



TE Part # 1057699-1  
3106 7985 00

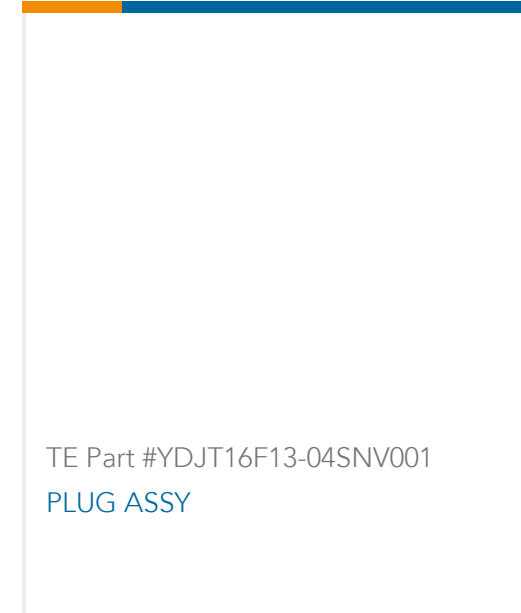
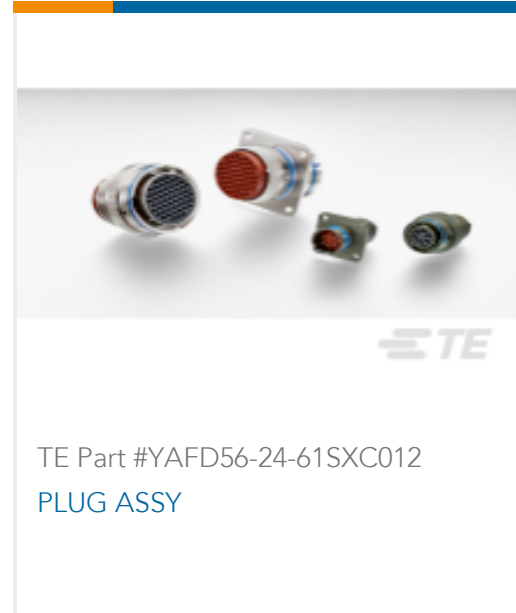
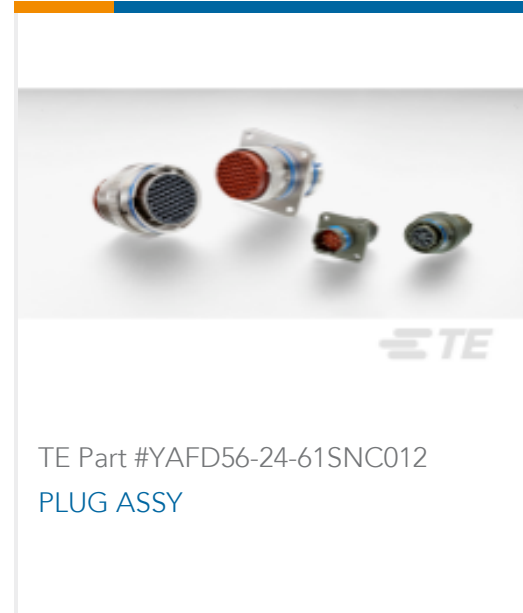


TE Part # 1058694-1  
3701 7941 02



TE Part # 225554-6  
TNC RT ANG PLUG DUAL W/P

### Customers Also Bought



## Documents

### CAD Files

3D PDF

3D

Customer View Model

[ENG\\_CVM\\_CVM\\_225555-6\\_F\\_c-225555-6-f.2d\\_dxf.zip](#)

English

Customer View Model

[ENG\\_CVM\\_CVM\\_225555-6\\_F\\_c-225555-6-f.3d\\_igs.zip](#)

English

Customer View Model

[ENG\\_CVM\\_CVM\\_225555-6\\_F\\_c-225555-6-f.3d\\_stp.zip](#)

English

By downloading the CAD file I accept and agree to the [Terms and Conditions](#) of use.

### Product Specifications

Product Specification

English

Product Specification

English



---

**Instruction Sheets**

[Instruction Sheet \(U.S.\)](#)

English

---

**Agency Approvals**

[UL Report](#)

English