

TE Internal #: 2273095-3
 M8/M12 Cable Assemblies, Sensor/Actuator, 8 Position, A Keying Code, M12 Socket, M12 Pigtail, Right Angle Connector Orientation (End A), Length 5 m

[View on TE.com >](#)



Cable Assemblies > Copper Cable Assemblies > M8/M12 Cable Assemblies > M12 A-CODE FEMALE R/A PIGTAIL



M8/M12 Application Type: **Sensor/Actuator**

Number of Positions: **8**

Keying Code: **A**

Connector Type (End A): **M12 Socket**

Cable Assembly Type: **M12 Pigtail**

[All M12 A-CODE FEMALE R/A PIGTAIL \(56\)](#)

Features

Product Type Features

Product Type	Cable Assembly
Cable Type	PUR
Assembly Type	Pigtail
Connector Type (End A)	M12 Socket
Cable Assembly Type	M12 Pigtail

Configuration Features

Number of Positions	8
Keying Code	A

Electrical Characteristics

Operating Voltage	30 VDC
-------------------	--------

Body Features

Cable Exit Angle	Right Angle
Environmental Protection	With
Connector Color	Blue
Wire Color	White, Brown, Green, Yellow, Gray, Pink, Blue, Red
Cable Jacket Color	Gray



Insulation Material	PUR
---------------------	-----

Contact Features

Contact Current Rating	2 A
------------------------	-----

Mechanical Attachment

Screw & Hole Thread Size	M12
--------------------------	-----

Connector Orientation (End A)	Right Angle
-------------------------------	-------------

Housing Features

Housing Material	Plastic
------------------	---------

Dimensions

Overall Outside Cable Diameter	6 mm [.236 in]
--------------------------------	----------------

Wire Size	.205 mm ²
-----------	----------------------

Usage Conditions

Operating Temperature Range	-40 – 80 °C [-40 – 176 °F]
-----------------------------	----------------------------

Operation/Application

M8/M12 Application Type	Sensor/Actuator
-------------------------	-----------------

Shielded	No
----------	----

Packaging Features

Packaging Method	Box
------------------	-----

Packaging Quantity	25
--------------------	----

Other

Field Serviceable	Yes
-------------------	-----

Cable Assembly Length	5 m
-----------------------	-----

Cable Assembly Configuration	Single Ended
------------------------------	--------------

Product Compliance

[For compliance documentation, visit the product page on TE.com>](#)

EU RoHS Directive 2011/65/EU	Compliant
------------------------------	-----------

EU ELV Directive 2000/53/EC	Compliant
-----------------------------	-----------

China RoHS 2 Directive MIIT Order No 32, 2016	No Restricted Materials Above Threshold
---	---

EU REACH Regulation (EC) No. 1907/2006	Current ECHA Candidate List: JUNE 2022 (224) Candidate List Declared Against: JAN 2022 (223)
--	---



SVHC > Threshold:
Not Yet Reviewed

Halogen Content

Low Halogen - Br, Cl, F, I < 900 ppm per homogenous material. Also BFR/CFR/PVC Free

Solder Process Capability

Not applicable for solder process capability

Product Compliance Disclaimer

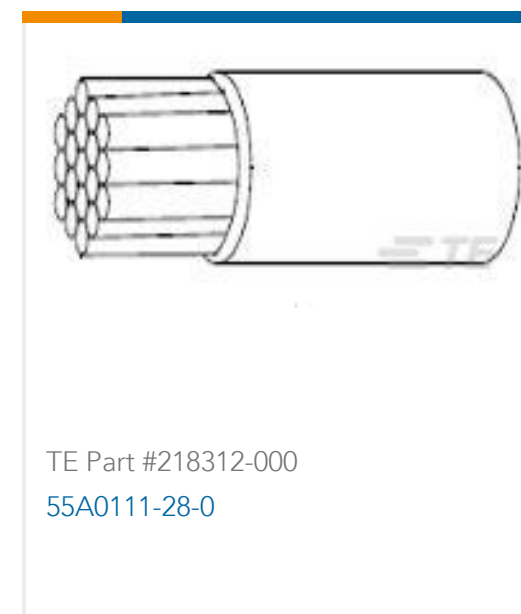
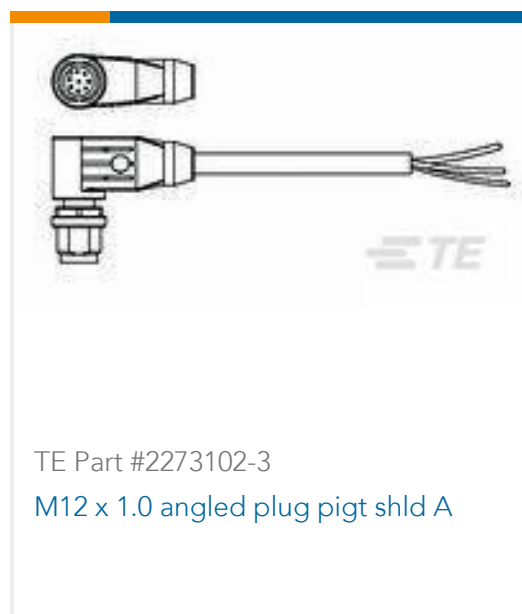
This information is provided based on reasonable inquiry of our suppliers and represents our current actual knowledge based on the information they provided. This information is subject to change. The part numbers that TE has identified as EU RoHS compliant have a maximum concentration of 0.1% by weight in homogenous materials for lead, hexavalent chromium, mercury, PBB, PBDE, DBP, BBP, DEHP, DIBP, and 0.01% for cadmium, or qualify for an exemption to these limits as defined in the Annexes of Directive 2011/65/EU (RoHS2). Finished electrical and electronic equipment products will be CE marked as required by Directive 2011/65/EU. Components may not be CE marked. Additionally, the part numbers that TE has identified as EU ELV compliant have a maximum concentration of 0.1% by weight in homogenous materials for lead, hexavalent chromium, and mercury, and 0.01% for cadmium, or qualify for an exemption to these limits as defined in the Annexes of Directive 2000/53/EC (ELV). Regarding the REACH Regulation, the information TE provides on SVHC in articles for this part number is based on the latest European Chemicals Agency (ECHA) 'Guidance on requirements for substances in articles' posted at this URL: <https://echa.europa.eu/guidance-documents/guidance-on-reach>

Compatible Parts



Customers Also Bought





Documents

Product Drawings

M12 x 1.0 angled socket pigtail A

English

CAD Files

3D PDF

3D

Customer View Model

[ENG_CVM_CVM_2273095-3_A.2d_dxf.zip](#)

English

Customer View Model

[ENG_CVM_CVM_2273095-3_A.3d_igs.zip](#)

English

Customer View Model

[ENG_CVM_CVM_2273095-3_A.3d_stp.zip](#)

English

By downloading the CAD file I accept and agree to the [Terms and Conditions](#) of use.

Datasheets & Catalog Pages

M8 / M12 Connector System Catalog

English

Product Specifications

Product Specification

English