

CSSF24 SERIES

MINIATURE VERTICAL SIDE MOUNT SWITCH



The CSSF24 series is a compact vertical float action switch that is horizontally mounted and designed to achieve reliable switching.

Mounting is in the side of the tank from the inside, so requires access to the inside of the tank.

They are manufactured in 316 grade stainless steel and will work in liquids of SG 0.8 minimum.

The switch action may be reversed by removing the float, inverting and then refitting it to the stem.

Features

- Internal side mount switch
- Stainless steel 316
- Compact design
- User configurable N/O (make on rise) or N/C (make on fall)
- Temperature up to 120°C

SPECIFICATIONS

Technical

Mounting Style	Internal
Mounting Thread	1/8" BSP
Float & Stem Material	316 grade SS
Maximum Temperature	120°C
Maximum Pressure	10 bar
Float SG	0.7
Minimum Fluid SG	0.8
Cable Length - Standard	100cm
Cable Size	17/0.10 - AWG22
Cable Conductor Material	Tinned copper
Cable Sheath Material	XLPE
Cable Temperature Rating	125°C
Sealing Gasket	Not supplied
Tightening Torque for Fixing Nut	2.0kg/cm

Electrical

Contact Form		N/O (N/C)
Switching Power Max	VA	50
Switching Voltage AC Max	V	300
Switching Voltage DC Max	V	300
Switching Current Max	A	0.5

All ratings are for resistive load only.



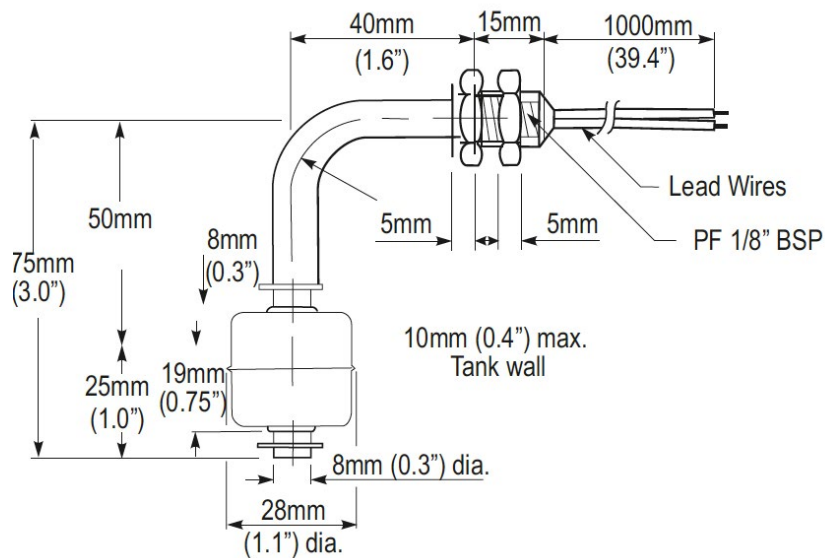
STANDARD PARTS

RS Stock No.	Material	Max Power	Leadouts
2356204	SS 316	50VA	100cm XLPE 17/0.1



DIMENSIONS

All dimensions are in millimeters.



RS, Professionally Approved Products, gives you professional quality parts across all products categories. Our range has been testified by engineers as giving comparable quality to that of the leading brands without paying a premium price.