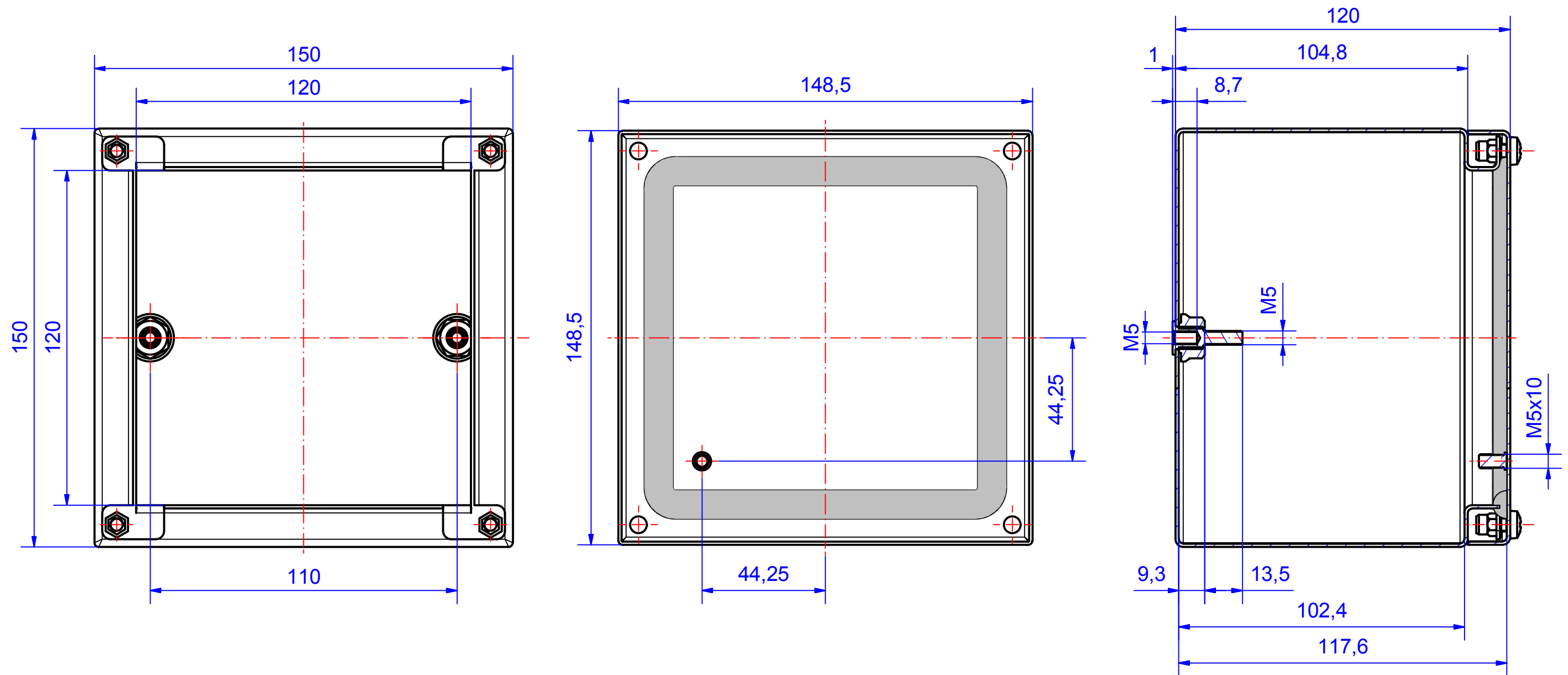


Enclosure series inoBOX

Type: IBB 150

Material-No.: 247.150.000



Enclosure material	V4A, 1.4404 (AISI 316)		Weight	1,7 kg
Lid screws	4x V4A, captive		Sheet thickness	1,2 mm
Gasket	Polyurethane, dosed gasket		Surface	Grinded, Scotch-Brite
Ingress protection	IP66 EN 60529		Tolerance	DIN ISO 2768-m DIN 6935