

ACT20P
ACT20P-2CI-2CO-12-P

Weidmüller Interface GmbH & Co. KG
Klingenbergstraße 26
D-32758 Detmold
Germany
Fon: +49 5231 14-0
Fax: +49 5231 14-292083
www.weidmueller.com

Product image**ACT20P: The flexible solution**

- Precise and highly functional signal converters
- Release levers simplify handling

General ordering data

Type	ACT20P-2CI-2CO-12-P
Order No.	2489730000
Version	Signal converter/isolator, dual channel, Input : 2 x 4-20 mA, Output : 2 x 4-20 mA
GTIN (EAN)	4050118535174
Qty.	1 pc(s).

ACT20P
ACT20P-2CI-2CO-12-P

Weidmüller Interface GmbH & Co. KG
 Klingenbergstraße 26
 D-32758 Detmold
 Germany
 Fon: +49 5231 14-0
 Fax: +49 5231 14-292083
 www.weidmueller.com

Technical data
Dimensions and weights

Width	12.5 mm	Width (inches)	0.492 inch
Height	127.1 mm	Height (inches)	5.004 inch
Depth	113.7 mm	Depth (inches)	4.476 inch
Net weight	130 g		

Temperatures

Humidity	5...95 %, no condensation	Operating temperature, max.	60 °C
Operating temperature, min.	-20 °C	Storage temperature, max.	85 °C
Storage temperature, min.	-40 °C	Operating temperature	-20 °C...60 °C
Storage temperature	-40 °C...85 °C		

Environmental Product Compliance

REACH SVHC	Lead 7439-92-1
------------	----------------

Input

Number of inputs	2	Sensor supply	> 17 V DC at 20 mA, max 30 V @ open circuit, max 50 mA @ short-circuit
Input signal	HART signal® bidirectional	Input voltage	≤ 28 V DC
Input current	0...20 mA, 4...20mA	Voltage drop	≤ 1 V

Output

Number of outputs	2	Output current	0...20 mA, 4...20 mA, HART® digital signal
load impedance current	< 300 Ω, per channel		

General data

Accuracy	< 0.1 % of end value	Configuration	none
Current consumption	≤60 mA (24V power supply, 20mA output)	Galvanic isolation	3-way isolator, between input/output/supply
Rail	TS 35	Step response time	≤ 0,5 ms
Temperature coefficient	80 ppm/K	Voltage supply	20...30 V DC

Insulation coordination

EMC standards	EN 61010-1:2011, UL 61010-1, EN 61326-1	Galvanic isolation	3-way isolator, between input/output/supply
Impulse withstand voltage	4 kV (1.2/50 μs)	Insulation voltage	2 kV inputs / outputs / power supply
Pollution severity	2	Surge voltage category	III

Data for Ex applications (ATEX)

Marking	II 3 G Ex ec IIC T5 Gc
---------	------------------------

ACT20P
ACT20P-2CI-2CO-12-P

Weidmüller Interface GmbH & Co. KG
Klingenbergstraße 26
D-32758 Detmold
Germany
Fon: +49 5231 14-0
Fax: +49 5231 14-292083
www.weidmueller.com

Technical data**Connection data**

Type of connection	PUSH IN	Wire connection cross section AWG, min.	AWG 26
Wire connection cross section AWG, max.	AWG 14	Wire cross-section, solid, min.	0.2 mm ²
Wire cross-section, solid, max.	2.5 mm ²	Wire connection cross-section, finely stranded, min.	0.2 mm ²
Wire connection cross section, finely stranded, max.	2.5 mm ²	Wire connection cross-section, finely stranded with wire-end ferrules DIN 46228/4, min.	0.2 mm ²
Wire connection cross-section, finely stranded with wire-end ferrules DIN 46228/4, max.	2.5 mm ²		

Ratings IECEx/ATEX/cUL

Certificate No. (ATEX)	DEMKO18ATEX1861X	Certificate No. (IECEX)	IECEXUL18.0141X
Certificate no. (cULus)	E469563	IECEX - gas labelling	Ex ec IIC T5 Gc

Classifications

ETIM 6.0	EC002653	ETIM 7.0	EC002653
eClass 9.0	27-21-01-20	eClass 9.1	27-21-01-90
eClass 10.0	27-21-01-20		

Product information

Product information	<p>The dual-channel, non-adjustable DC isolating amplifier ACT20P-2CI-2CO isolates analogue standard current source signals. An analogue input current signal is linearly converted into an analogue output current signal and is galvanically isolated. The power supply is galvanically isolated from the input and output (5-way isolation). Properties</p> <ul style="list-style-type: none"> • HART-compatible for 0.5 - 2.5 kHz • The active or passive mA signal inputs are fully galvanically isolated. • Operating status display on a front panel LED • Galvanic 5-way isolation between input, output and supply.
---------------------	--

Approvals

Approvals



Approvals	CULUS;
ROHS	Conform

Downloads

Approval/Certificate/Document of Conformity	IECEX Certification ATEX Certification Declaration of Conformity
User Documentation	Instruction sheet

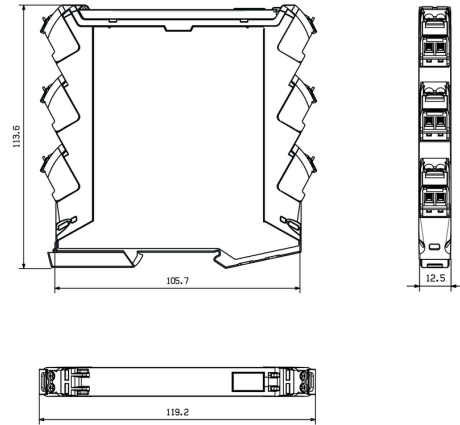
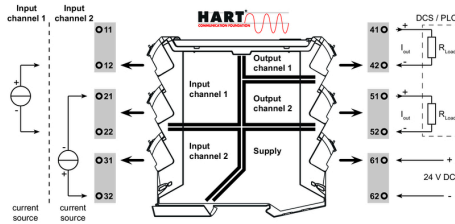
Data sheet

**ACT20P
ACT20P-2CI-2CO-12-P**

Weidmüller Interface GmbH & Co. KG
 Klingenbergstraße 26
 D-32758 Detmold
 Germany
 Fon: +49 5231 14-0
 Fax: +49 5231 14-292083
 www.weidmueller.com

Drawings

Dimensioned drawing, Similar to illustration



Similar to illustration



**PUSH IN
technology**

