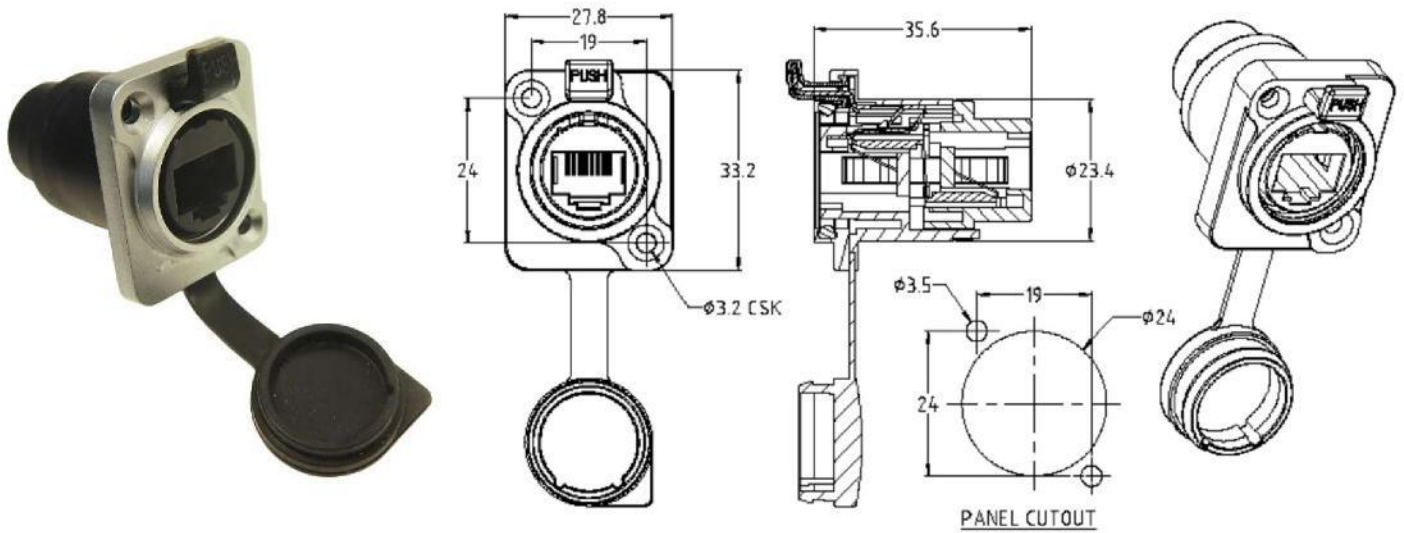


Datasheet

RS PRO XLR CAT5e RJ45 IP65 FEEDTHROUGH AND PLUG CARRIER

Stock No: 2522987, 2522986



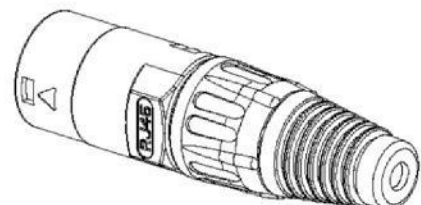
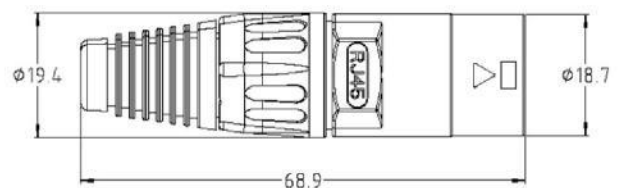
A metal frame Cat5e RJ45 feedthrough socket with IP65 rating. The compatible XLR style plug carrier allows connection of an RJ45 plug. (Not supplied)



**NOTE: THIS IS A PLUG CARRIER ONLY.
RJ45 PLUG IS NOT SUPPLIED**

Specification

Contact Resistance:	<10mΩ
Dielectric strength:	1K VDC
Frequency range:	1-100MHz
Insulation resistance:	>0.5GΩ
Rated current per contact:	1.5A
Rated voltage:	50V
Transmission performance:	CAT5e / Class D
Lifetime:	>1000 mating cycles
Temperature Range:	-30°C to +80°C



Feedthrough Features

- Fits standard XLR 024mm cutout.
- IP65 rated.
- Secure, snap-in lockable design.
- Integrated dust cover.
- Utilises commonly available RJ45 Cat5e male cables
- Cable diameter - 04.5-07mm
- Shields high frequency noise and EMI
- No soldering or punch termination.

General

Please note: Functionality is affected by cable quality, length and cable wiring configuration.

Part No.

2522987 Cat5e RJ45 IP65 Socket, metal

2522986 Cat5e RJ45 IP65 Plug carrier, metal



rspro.com

