

FEATURES

- 100 to 240V ac Input range
- High efficiency
- Over temperature protection
- 2.1x5.5x1mm Barrel Plug

Desktop Power Supplies

RS Stock No.: 255-8080, 255-8081



RS Professionally Approved Products bring to you professional quality parts across all product categories. Our product range has been tested by engineers and provides a comparable quality to the leading brands without paying a premium price.

Product Description

The RS Pro Range of 20-watt AC/DC switch mode power supplies provide 20 watts of continuous output power in a high-quality compact enclosure, suitable for many general power applications.

General Specifications

Input Connector	255-8080=EURO / 255-8081+UK
Output Connection Type	2.1x5.5x1mm Barrel Plug
Number of Outputs	1
Energy Efficiency Level	VI
Mounting Style	Desktop
MTBF	50,000hours at 25°C, Full load and nominal input condition
Cable Length	1200mm (18AWG)
Medical Approved	No

Electrical Specifications

Input Specifications	
Rated Input Voltage	100 to 240V ac
Full Input Voltage Range	90 – 264V ac
Rated Frequency	50/60Hz nominal
Full Frequency Range	47/63Hz
Efficiency	83.08%
Input Current (RMS Max.)	0.7A
Inrush Current	60A at 100-240Vac input and Max load for a cold start at 25°C
Leakage Current (max.)	<25mA / 264V ac

Output Specification	
Ripple & Noise (max.)	300mVp-p
Voltage Tolerance	±5.0%
Line Regulation	±3.0%
Load Regulation	±5.0%
Hold Up Time (Typ.)	5ms @ Full load & 100Vac/60Hz input turn off at worst case
Overload Protection	Hiccup mode, recovers automatically after fault condition is removed
Over Voltage Protection	Shut down o/p voltage, re-power on to recover
Over Temperature Protection	Shut down o/p voltage, re-power on to recover
Short Circuit Protection	Yes

Mechanical Specifications

Housing Material	Fully Enclosed Plastic Case	
Model	255-8080	255-8081
Overall Dimensions	76.8x48x67.5mm	76.8x50x54.3mm
Overall Length	76.8	76.8
Overall Depth	67.5	54.3
Overall Width	48	50

Operation Environment Specifications

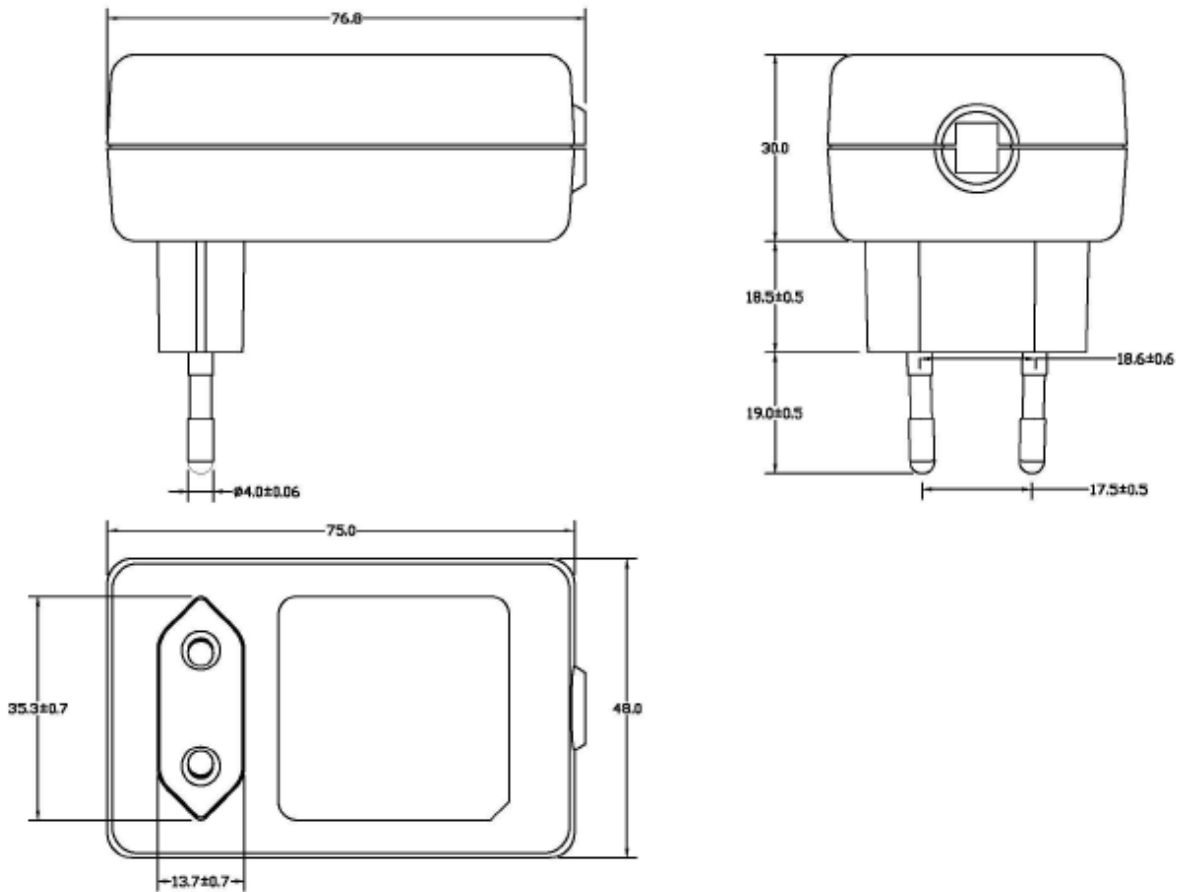
Operating Humidity	10% to 90% RH non-condensing
Cooling	Natural convection
Operating Temperature Range	-0 to 40°C
Storage Temperature Range	-20 to 80°C
Vibration Resistance	10-300Hz, 1G, along X, Y,Z each Axis, 60 min for each Axis

Approvals

Safety Standard	IEC/EN/UL62368-1
EMC Emission	Compliance to FCC Part15, EN55032, EN55035, EN61000-4-2/4/5

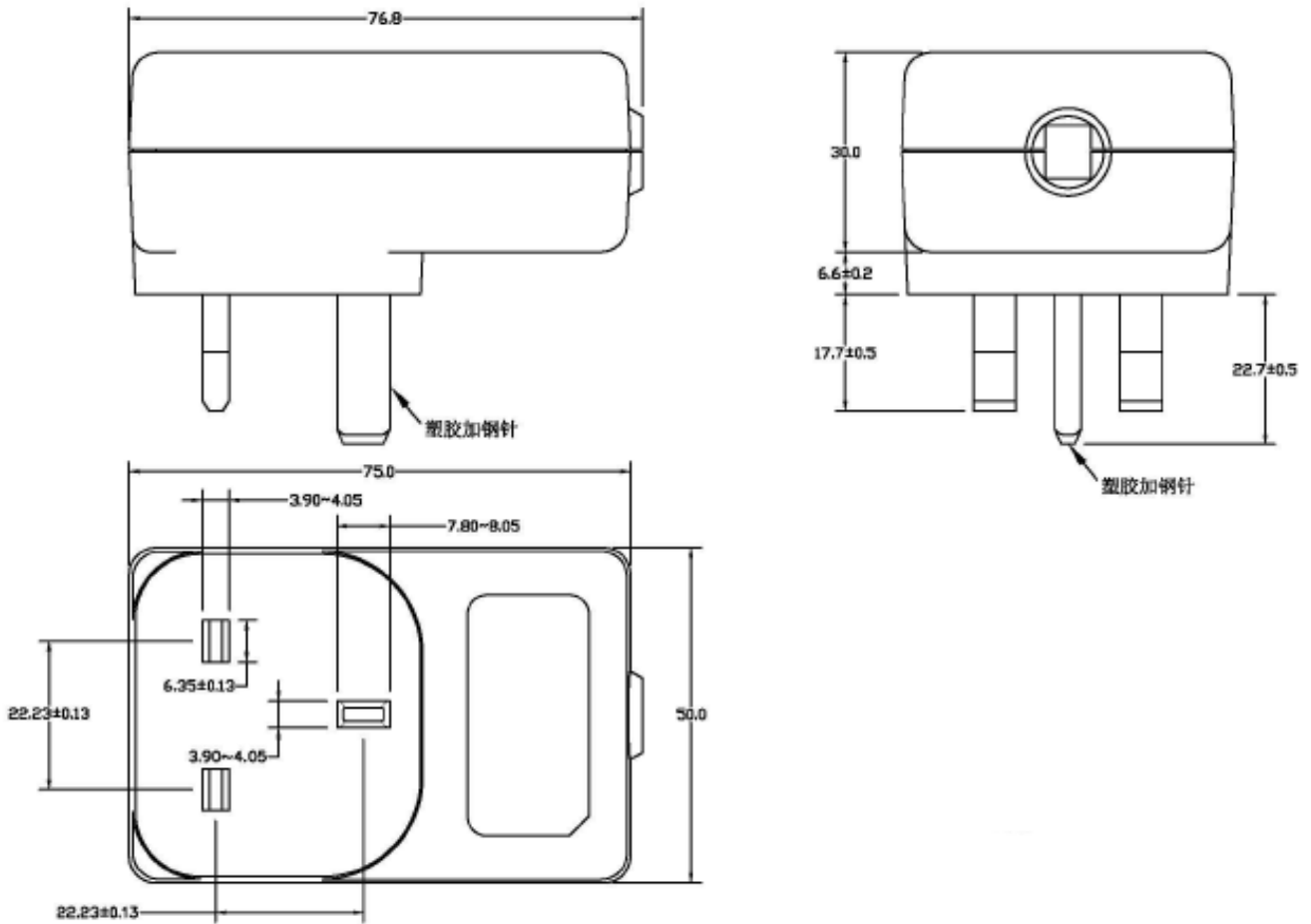
Mechanical Drawing

255-8080

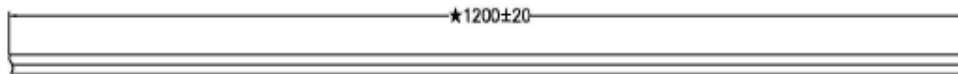


Mechanical Drawing

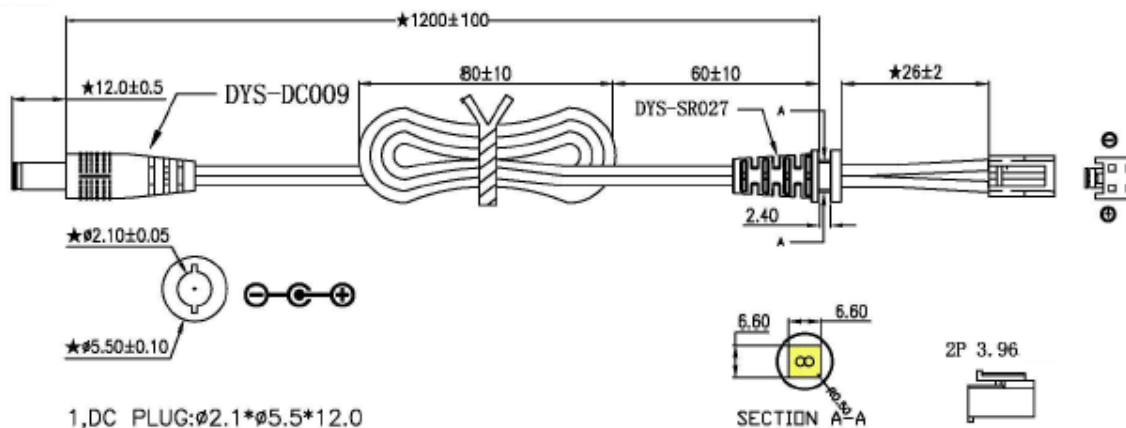
255-8081



Cables



1, UL 2468 18AWG

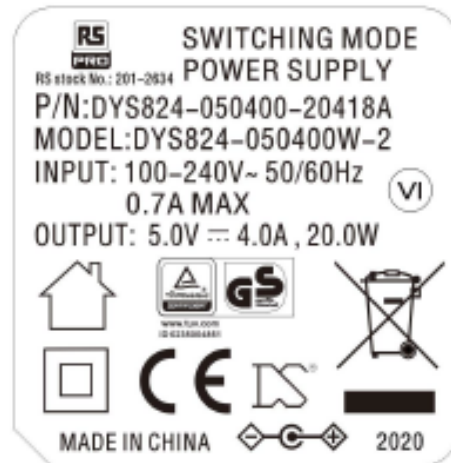
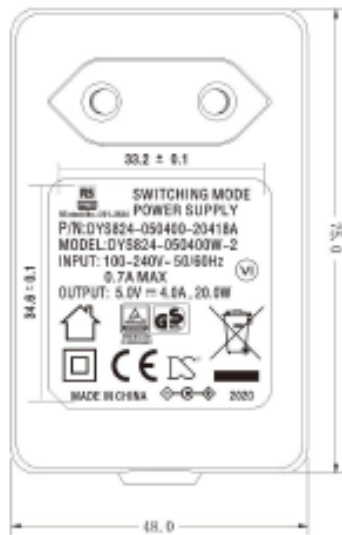


1, DC PLUG: $\varnothing 2.1 \times \varnothing 5.5 \times 12.0$

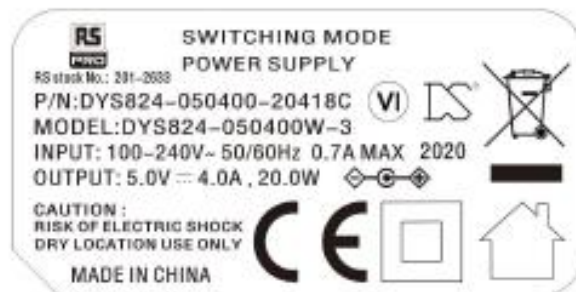
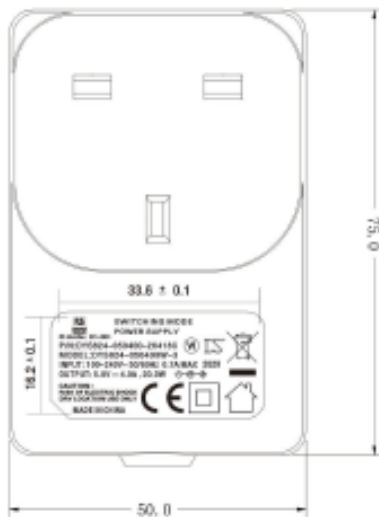
2, SR SIZE: $6.6 \times 6.6 \times 2.4$

Label & Plug

255-8080



255-8081



Labels & Packaging



PLASTIC BAG/PE



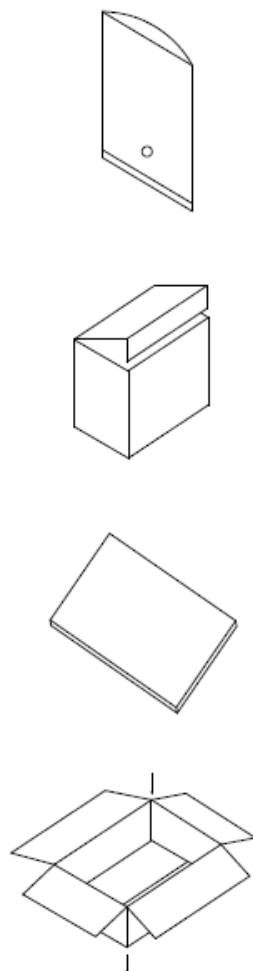
WHITE BOX



CARDBOARD



PAPER CASE



MECHANICAL DIMENSION:

	L(mm)	W(mm)	H(mm)
PLASTIC BAG	210	130	
WHITE BOX	94	60	90
CARDBOARD	395	255	
PAPER CASE	405	265	300

PACKING METHOD:

PACKING METHOD	16PCS/LAYER *3LAYERS
QTY	48PCS
N.W	6.2Kg
G.W	7.7Kg