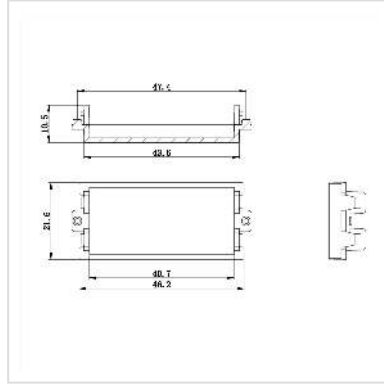


VALUE A/V Module - Blind plate

Product No.	25.99.8205
Manufacturer	VALUE
Manufacturer No.	25.99.8205
EAN (single piece)	7611990118649



Multimedia connection system: computer, video, audio, control or network connections can be easily integrated with the modular multimedia connection system in switch programs. With the unsightly, lying around or hanging cables is now finally concluded.

The system is cost-effective and future-proof as it can be expanded at any time to new interfaces.

- Protects your wall mount from dust
- Easy to install and remove
- Color: White

Technical specifications

Manufacturer	VALUE
Product group	Adapters, Terminators, Converters
Product type	MultiMedia Connection-System
Colour	grey
Height	44 mm
Width	22 mm
Weight	2.4 g
Height of packaging (single piece)	10 mm
Width of packaging (single piece)	20 mm

Depth of packaging (single piece)	50 mm
--------------------------------------	-------

Package weight (single piece)	0.01 kg
----------------------------------	---------