

# Bus coupler - AXL F BK ETH



2688459

<https://www.phoenixcontact.com/pc/products/2688459>

Please be informed that the data shown in this PDF document is generated from our Online Catalog. Please find the complete data in the user documentation. Our General Terms of Use for Downloads are valid.



Axioline F, Bus coupler, Modbus/TCP(UDP), RJ45 jack, transmission speed in the local bus: 100 Mbps, degree of protection: IP20, including bus base module and Axioline F connector

## Product Description

The bus coupler is intended for use within a Modbus/TCP (UDP) network. The bus coupler creates the link to the Axioline F I/O system and the industrial I/O signals connected to it. Up to 63 Axioline F devices can be connected to the bus coupler.

## Your advantages

- 2 Ethernet ports (with integrated switch)
- Transmission speed of 10 Mbps and 100 Mbps
- Rotary coding switches for setting the IP address assignment and other functions
- Firmware can be updated
- Runtime in the bus coupler is negligible (almost 0  $\mu$ s) (for Modbus/UDP)
- Typical cycle time of the Axioline F local bus is around 10  $\mu$ s
- Web-based management
- Security in the network: Port disconnection possible via web-based management (firmware version 1.31 or later)
- Supports the operation of Axioline Smart Elements
- Supports passive Smart Elements (firmware version 1.30 or later)
- Supports IOL-CONF (firmware version 1.30 and later)
- Supports Diag+

## Commercial Data

Item number	2688459
Packing unit	1 pc
Minimum order quantity	1 pc
Product Key	DRI21B
Catalog Page	Page 71 (C-6-2019)
GTIN	4046356710770
Weight per Piece (including packing)	221.7 g
Weight per Piece (excluding packing)	177 g
Customs tariff number	85176200
Country of origin	DE

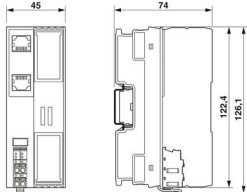
# Bus coupler - AXL F BK ETH

2688459

<https://www.phoenixcontact.com/pc/products/2688459>

## Technical Data

### Dimensions

Dimensional drawing	
Width	45 mm
Height	126.1 mm
Depth	74 mm
Note on dimensions	The depth applies when a TH 35-7.5 DIN rail is used (in accordance with EN 60715).

### Material specifications

Color	traffic grey A RAL 7042
-------	-------------------------

### Interfaces

#### Modbus/TCP (UDP)

Number of interfaces	2
Connection method	RJ45 jack
Note on the connection method	Auto negotiation and autocrossing
Transmission speed	10/100 Mbps (Half or full duplex mode (automatic detection, can be adjusted manually))
Transmission physics	Ethernet in RJ45 twisted pair

#### Axioline F local bus

Number of interfaces	1
Connection method	Bus base module
Transmission speed	100 Mbps

#### Service

Number of interfaces	1
Connection method	USB type C (from HW 05) Micro USB type B (up to HW 04)

### System properties

#### System limits

Number of supported devices	max. 63 (per station)
Number of local bus devices that can be connected	max. 63

### Product properties

# Bus coupler - AXL F BK ETH



2688459

<https://www.phoenixcontact.com/pc/products/2688459>

Type	block modular
Product type	I/O component
Mounting position	any (observe temperature derating)
Scope of delivery	including bus base module and Axioline F connector

## Insulation characteristics

Overvoltage category	II (IEC 60664-1, EN 60664-1)
Pollution degree	2 (IEC 60664-1, EN 60664-1)

## Electrical properties

Maximum power dissipation for nominal condition	14 W
-------------------------------------------------	------

Potentials: Communications power  $U_L$  feed-in (the supply of the Axioline F local bus  $U_{BUS}$  is generated from  $U_L$ )

Supply voltage	24 V DC
Supply voltage range	19.2 V DC ... 30 V DC (including all tolerances, including ripple)
Current draw	max. 583 mA (2.0 A at $U_{BUS}$ , $U_L = 24$ V, up to HW 04) max. 670 mA (2.5 A at $U_{BUS}$ , $U_L = 24$ V, HW 05 or later)
Power consumption	max. 14 W (2.0 A at $U_{BUS}$ , $U_L = 24$ V, up to HW 04) max. 16 W (2.5 A at $U_{BUS}$ , $U_L = 24$ V, HW 05 or later)
Protective circuit	Surge protection; electronic Reverse polarity protection; electronic

Potentials: Axioline F local bus supply ( $U_{BUS}$ )

Supply voltage	5 V DC (via bus base module)
Power supply unit	max. 2 A (up to HW 04) max. 2.5 A (from HW 05)

## Connection data

### Connection technology

Connection name	Axioline F connector
Note on the connection method	Please observe the information provided on conductor cross sections in the "Axioline F: system and installation" user manual.

### Conductor connection

Connection method	Push-in connection
Conductor cross section solid	0.2 mm <sup>2</sup> ... 1.5 mm <sup>2</sup>
Conductor cross section flexible	0.2 mm <sup>2</sup> ... 1.5 mm <sup>2</sup>
Conductor cross section AWG	24 ... 16
Stripping length	8 mm

### Axioline F connector

Connection method	Push-in connection
Note on the connection method	Please observe the information provided on conductor cross sections in the "Axioline F: system and installation" user manual.
Conductor cross section, rigid	0.2 mm <sup>2</sup> ... 1.5 mm <sup>2</sup>
Conductor cross section, flexible	0.2 mm <sup>2</sup> ... 1.5 mm <sup>2</sup>
Conductor cross section AWG	24 ... 16

# Bus coupler - AXL F BK ETH



2688459

<https://www.phoenixcontact.com/pc/products/2688459>

Stripping length	8 mm
------------------	------

## Ambient conditions

Ambient temperature (operation)	-25 °C ... 60 °C (Mounting position: wall mounting on horizontal DIN rail)
	-25 °C ... 55 °C (Mounting position: any)
Degree of protection	IP20
Air pressure (operation)	70 kPa ... 106 kPa (up to 3000 m above sea level)
Air pressure (storage/transport)	70 kPa ... 106 kPa (up to 3000 m above sea level)
Ambient temperature (storage/transport)	-40 °C ... 85 °C
Permissible humidity (operation)	5 % ... 95 % (non-condensing)
Permissible humidity (storage/transport)	5 % ... 95 % (non-condensing)

## Standards and regulations

Protection class	III (IEC 61140, EN 61140, VDE 0140-1)
------------------	---------------------------------------

## Mounting

Mounting type	DIN rail mounting
Mounting position	any (observe temperature derating)

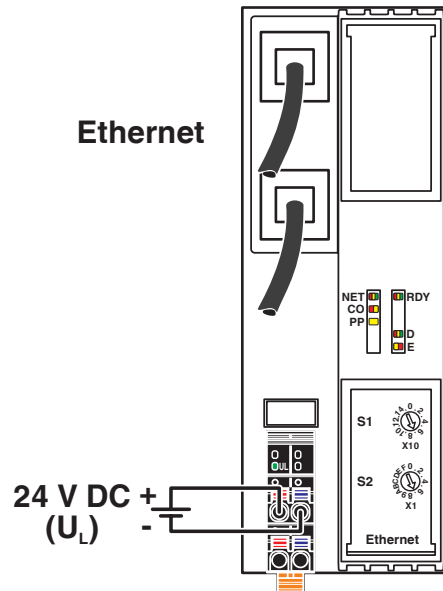
# Bus coupler - AXL F BK ETH

2688459

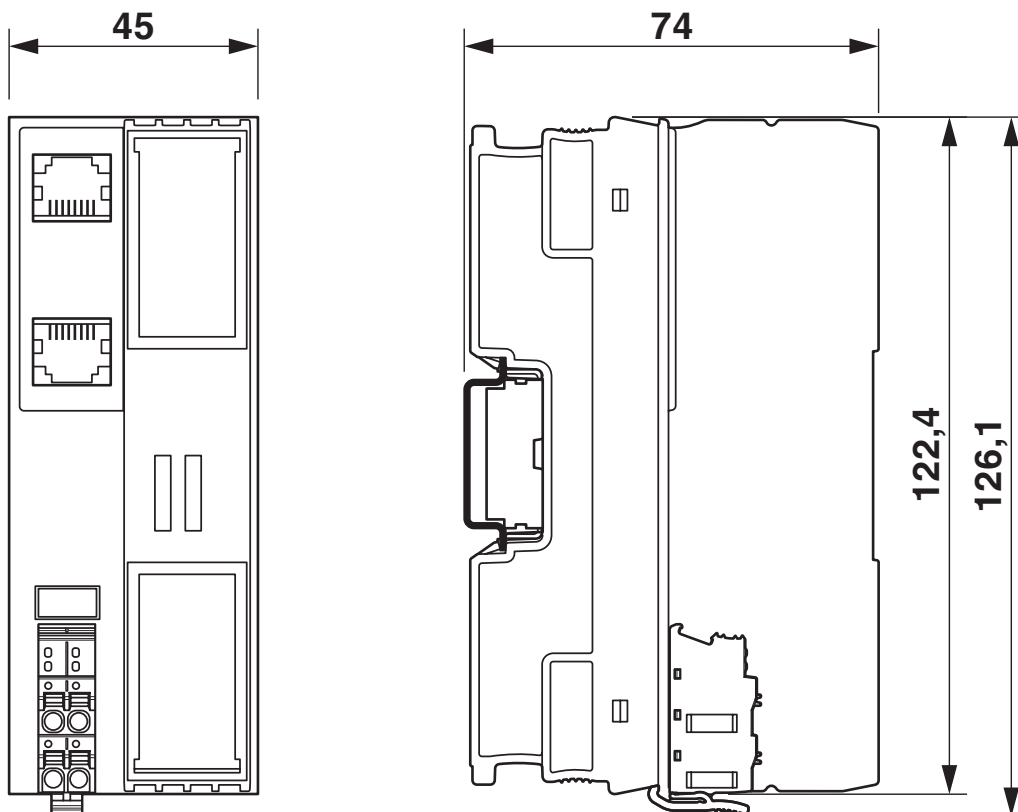
<https://www.phoenixcontact.com/pc/products/2688459>

## Drawings

Connection diagram



Dimensional drawing

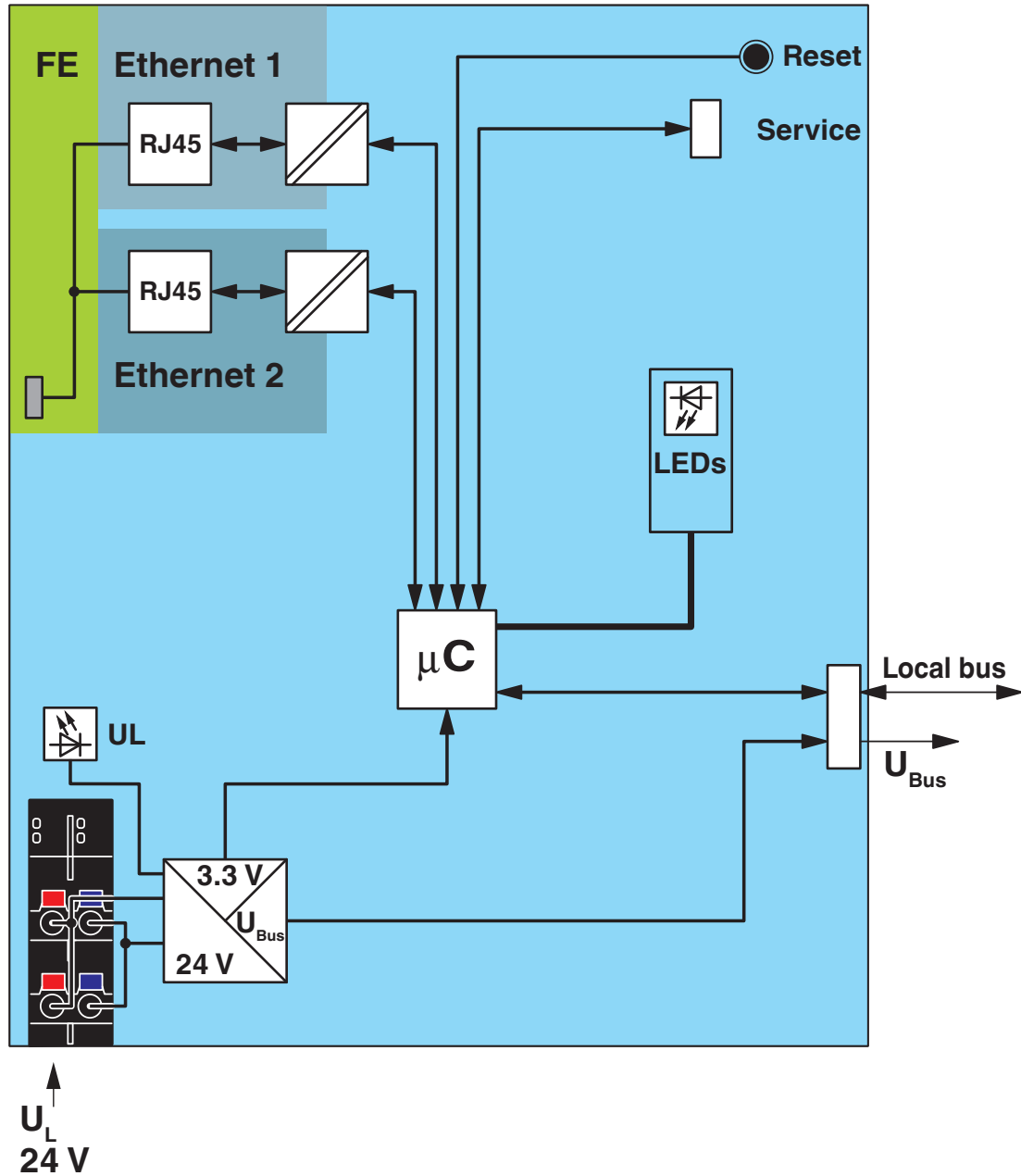


# Bus coupler - AXL F BK ETH

2688459

<https://www.phoenixcontact.com/pc/products/2688459>

Block diagram



Internal wiring of the terminal points

# Bus coupler - AXL F BK ETH



2688459

<https://www.phoenixcontact.com/pc/products/2688459>

## Approvals



**EAC**

Approval ID: RU\*DE\*08.B.00529/19



**DNV GL**

Approval ID: TAA00000DF



**LR**

Approval ID: LR2001902TA



**NK**

Approval ID: 14A006



**BV**

Approval ID: 36433/B4 BV



**PRS**

Approval ID: TE/1020/880590/21



**UL Listed**

Approval ID: FILE E 238705



**cUL Listed**

Approval ID: FILE E 238705



**KC**

Approval ID: MSIP-REI-PCK-2688459

**BSH**

Approval ID: 840



**RINA**

Approval ID: ELE283021XG

**ABS**

Approval ID: 20-2059154-PDA

# Bus coupler - AXL F BK ETH



2688459

<https://www.phoenixcontact.com/pc/products/2688459>



**cUL Listed**

Approval ID: FILE E 238705



**UL Listed**

Approval ID: FILE E 238705



**EAC**

Approval ID: RU\*DE\*08.B.00529/19

**ABS**

Approval ID: 20-2059154-PDA

**BSH**

Approval ID: 840



**BV**

Approval ID: 36433/B4 BV



**DNV GL**

Approval ID: TAA00000DF



**PRS**

Approval ID: TE/1020/880590/21

**ClassNK**

**NK**

Approval ID: 14A006



**RINA**

Approval ID: ELE283021XG



**LR**

Approval ID: LR2001902TA



**KC**

Approval ID: MSIP-REI-PCK-2688459



# Bus coupler - AXL F BK ETH



2688459

<https://www.phoenixcontact.com/pc/products/2688459>



**cUL Listed**

Approval ID: FILE E 238705



**UL Listed**

Approval ID: FILE E 238705



**cUL Listed**

Approval ID: FILE E 238705



**UL Listed**

Approval ID: FILE E 238705

# Bus coupler - AXL F BK ETH



2688459

<https://www.phoenixcontact.com/pc/products/2688459>

## Classifications

### ECLASS

ECLASS-9.0	27242608
ECLASS-10.0.1	27242608
ECLASS-11.0	27242608

### ETIM

ETIM 8.0	EC001604
----------	----------

### UNSPSC

UNSPSC 21.0	32151600
-------------	----------

# Bus coupler - AXL F BK ETH

2688459

<https://www.phoenixcontact.com/pc/products/2688459>



## Environmental Product Compliance

REACH SVHC

Lead 7439-92-1

# Bus coupler - AXL F BK ETH

2688459

<https://www.phoenixcontact.com/pc/products/2688459>



## Accessories

### Bus connector

Bus connector - AXL F BS BK - 2701422

<https://www.phoenixcontact.com/pc/products/2701422>

Axioline F bus base module for housing type BK



---

### RJ45 connector

RJ45 connector - FL PLUG RJ45 GR/2 - 2744856

<https://www.phoenixcontact.com/pc/products/2744856>

RJ45 connector, shielded, with bend protection sleeve, 2 pieces, gray for straight cables, for assembly on site. For connections that are not crossed, it is recommended that you use the connector set with gray bend protection sleeve.



# Bus coupler - AXL F BK ETH

2688459

<https://www.phoenixcontact.com/pc/products/2688459>



## RJ45 connector

RJ45 connector - FL PLUG RJ45 GN/2 - 2744571

<https://www.phoenixcontact.com/pc/products/2744571>



RJ45 connector, shielded, with bend protection sleeve, 2 pieces, green for crossed cables, for assembly on site. For connections that are crossed, it is recommended that the connector set with green bend protection sleeves is used.

---

## Network cable

Network cable - FL CAT5 HEAVY - 2744814

<https://www.phoenixcontact.com/pc/products/2744814>



CAT5-SF/UTP cable (J-02YS(ST)C HP 2 x 2 x 24 AWG), heavy-duty installation cable, 2 x 2 x 0.22 mm<sup>2</sup>, solid conductor, shielded, outer sheath: 7.8 mm diameter, inner sheath: 5.75 mm ± 0.15 mm diameter

# Bus coupler - AXL F BK ETH

2688459

<https://www.phoenixcontact.com/pc/products/2688459>



## Installation cable

Installation cable - FL CAT5 FLEX - 2744830

<https://www.phoenixcontact.com/pc/products/2744830>



By the meter, Installation cable, Ethernet CAT5 (100 Mbps), shielded, PUR halogen-free, water blue RAL 5021, 4-wire (2x2xAWG26/7; SF/UTP), color single wire: white/orange-orange, white/green-green, cable length: Free entry (1.0 ... 1000.0 m)

---

## Assembly tool

Assembly tool - FL CRIMPTOOL - 2744869

<https://www.phoenixcontact.com/pc/products/2744869>



Crimping pliers, for assembling the RJ45 plugs FL PLUG RJ45..., for assembly on site

# Bus coupler - AXL F BK ETH

2688459

<https://www.phoenixcontact.com/pc/products/2688459>



## Zack marker strip

Zack marker strip - ZB 20,3 AXL UNPRINTED - 0829579

<https://www.phoenixcontact.com/pc/products/0829579>



Zack marker strip for Axioline F (device labeling), in 2 x 20.3 mm pitch, unprinted, 25-section, for individual labeling with B-STIFT 0.8, X-PEN, or CMS-P1-PLOTTER

---

## Zack Marker strip, flat

Zack Marker strip, flat - ZBF 10/5,8 AXL UNPRINTED - 0829580

<https://www.phoenixcontact.com/pc/products/0829580>



Zack Marker strip, flat, Strip, white, unlabeled, can be labeled with: PLOTMARK, CMS-P1-PLOTTER, mounting type: snapped, for terminal block width: 10.15 mm, lettering field size: 4 of 10.15 x 5 mm and 1 of 5.8 x 5 mm, Number of individual labels: 50

# Bus coupler - AXL F BK ETH

2688459

<https://www.phoenixcontact.com/pc/products/2688459>



## Insert label

Insert label - EMT (35X18,7)R - 0801831

<https://www.phoenixcontact.com/pc/products/0801831>



Insert label, Roll, white, unlabeled, can be labeled with: THERMOMARK ROLLMASTER 300/600, THERMOMARK X1.2, THERMOMARK ROLL X1, THERMOMARK ROLL 2.0, THERMOMARK ROLL, mounting type: snapped, lettering field size: 35 x 18.7 mm, Number of individual labels: 500

---

## Connecting cable

Connecting cable - CAB-USB A/ USB C/1,8M - 2404677

<https://www.phoenixcontact.com/pc/products/2404677>

Connecting cable, for connecting the controller to a PC from USB A to USB C





# Bus coupler - AXL F BK ETH

2688459

<https://www.phoenixcontact.com/pc/products/2688459>



## Connecting cable

Connecting cable - CAB-USB C/ USB C/1,8M - 1021809

<https://www.phoenixcontact.com/pc/products/1021809>

Connecting cable, for connecting the controller to a PC from USB C to USB C



---

## Connecting cable

Connecting cable - CAB-USB A/MICRO USB B/2,0M - 2701626

<https://www.phoenixcontact.com/pc/products/2701626>

Connecting cable, for connecting the controller to a PC for PC Worx and LOGIC+, USB A to micro USB B, 2 m in length.



---

Phoenix Contact 2022 © - all rights reserved

<https://www.phoenixcontact.com>

PHOENIX CONTACT GmbH & Co. KG

Flachsmarktstraße 8

D-32825 Blomberg

+49 (0) 5235-3 00

[info@phoenixcontact.com](mailto:info@phoenixcontact.com)