

Analog module - AXL F AI4 I 1H

2688491

<https://www.phoenixcontact.com/pc/products/2688491>

Please be informed that the data shown in this PDF document is generated from our Online Catalog. Please find the complete data in the user documentation. Our General Terms of Use for Downloads are valid.



Axioline F, Analog input module, Analog inputs: 4, 0 mA ... 20 mA, 4 mA ... 20 mA, -20 mA ... 20 mA, connection technology: 2-, 3-, 4-conductor, transmission speed in the local bus: 100 Mbps, integrated sensor supply, degree of protection: IP20, including bus base module and Axioline F connectors

Product Description

The module is designed for use within an Axioline F station. It is used to acquire analog current signals.

Your advantages

- 4 analog, bipolar input channels for the connection of current signals
- Connection of sensors in 2-, 3-, and 4-conductor technology
- Current ranges: 0 mA ... 20 mA, 4 mA ... 20 mA, ± 20 mA
- Simultaneous scanning of all channels by means of simultaneous sampling
- High crosstalk attenuation between the channels, thanks to separate signal paths
- Particularly robust against electromagnetic interference
- Device rating plate stored

Commercial Data

Item number	2688491
Packing unit	1 pc
Minimum order quantity	1 pc
Product Key	DRI241
Catalog Page	Page 82 (C-6-2019)
GTIN	4046356744225
Weight per Piece (including packing)	195.9 g
Weight per Piece (excluding packing)	195.9 g
Customs tariff number	85389091
Country of origin	DE

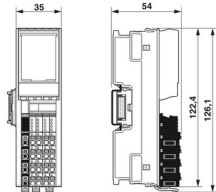
Analog module - AXL F AI4 I 1H

2688491

<https://www.phoenixcontact.com/pc/products/2688491>

Technical Data

Dimensions

Dimensional drawing	
Width	35 mm
Height	126.1 mm
Depth	54 mm
Note on dimensions	The depth applies when a TH 35-7.5 DIN rail is used (in accordance with EN 60715).

Material specifications

Color	traffic grey A RAL 7042
-------	-------------------------

Interfaces

Axioline F local bus

Number of interfaces	2
Connection method	Bus base module
Transmission speed	100 Mbps

System properties

Module

Input address area	8 Byte
Output address area	8 Byte
Required parameter data	7 Byte
Required configuration data	6 Byte

Input data

Analog

Input name	Analog inputs
Description of the input	Differential inputs, current
Number of inputs	4
A/D conversion time	31.25 μ s
A/D converter resolution	16 bit
Connection method	Push-in connection
Connection technology	2-, 3-, 4-conductor
Note regarding the connection technology	shielded
	0 mA ... 20 mA

Analog module - AXL F AI4 I 1H



2688491

<https://www.phoenixcontact.com/pc/products/2688491>

Current input signal	4 mA ... 20 mA -20 mA ... 20 mA
Input resistance current input	104 Ω (typical)
Data formats	IB IL, S7-compatible
Input filter	30 Hz, 12 kHz and mean-value generation (can be parameterized)
Limit frequency (3 dB)	30 Hz 12 kHz
Measured value representation	16 bits (15 bits + sign bit)
Protective circuit	Transient protection of inputs; Suppressor diode

Product properties

Type	block modular
Product type	I/O component
Mounting position	any (no temperature derating)
Scope of delivery	including bus base module and Axioline F connectors

Insulation characteristics

Overvoltage category	II (IEC 60664-1, EN 60664-1)
Pollution degree	2 (IEC 60664-1, EN 60664-1)

Electrical properties

Maximum power dissipation for nominal condition	4.08 W
---	--------

Potentials: Axioline F local bus supply (U_{BUS})

Supply voltage	5 V DC (via bus base module)
Current draw	max. 150 mA typ. 120 mA
Power consumption	max. 0.75 W typ. 0.6 W

Potentials: Supply for analog modules (U_A)

Supply voltage	24 V DC (I/O supply and sensor supply)
Supply voltage range	19.2 V DC ... 30 V DC (including all tolerances, including ripple)
Current draw	max. 245 mA ($I_{IS} = 4 \times 50$ mA (full load)) max. 45 mA ($I_{IS} = 0$ mA) typ. 118 mA ($I_{IS} = 4 \times 20$ mA (nominal load)) max. 125 mA ($I_{IS} = 4 \times 20$ mA (nominal load)) typ. 238 mA ($I_{IS} = 4 \times 50$ mA (full load))
Power consumption	max. 5.88 W (Full load)
Protective circuit	Surge protection; electronic (35 V, 0.5 s) Reverse polarity protection; up to HW 02: polarity protection diode from HW 03: parallel diode; with external 5 A fuse (for startup only) Transient protection; Suppressor diode

Supply:

Analog module - AXL F AI4 I 1H



2688491

<https://www.phoenixcontact.com/pc/products/2688491>

Designation	Sensor supply U_{IS}
Supply voltage	24 V DC (from U_A)
Current consumption	max. 50 mA (per channel)

Connection data

Connection technology

Connection name	Axioline F connector
Note on the connection method	Please observe the information provided on conductor cross sections in the "Axioline F: system and installation" user manual.

Conductor connection

Connection method	Push-in connection
Conductor cross section solid	0.2 mm ² ... 1.5 mm ²
Conductor cross section flexible	0.2 mm ² ... 1.5 mm ²
Conductor cross section AWG	24 ... 16
Stripping length	8 mm

Axioline F connector

Connection method	Push-in connection
Note on the connection method	Please observe the information provided on conductor cross sections in the "Axioline F: system and installation" user manual.
Conductor cross section, rigid	0.2 mm ² ... 1.5 mm ²
Conductor cross section, flexible	0.2 mm ² ... 1.5 mm ²
Conductor cross section AWG	24 ... 16
Stripping length	8 mm

Ambient conditions

Ambient temperature (operation)	-25 °C ... 60 °C
Degree of protection	IP20
Air pressure (operation)	70 kPa ... 106 kPa (up to 3000 m above sea level)
Air pressure (storage/transport)	70 kPa ... 106 kPa (up to 3000 m above sea level)
Ambient temperature (storage/transport)	-40 °C ... 85 °C
Permissible humidity (operation)	5 % ... 95 % (non-condensing)
Permissible humidity (storage/transport)	5 % ... 95 % (non-condensing)

Standards and regulations

Protection class	III (IEC 61140, EN 61140, VDE 0140-1)
------------------	---------------------------------------

Mounting

Mounting type	DIN rail mounting
Mounting position	any (no temperature derating)

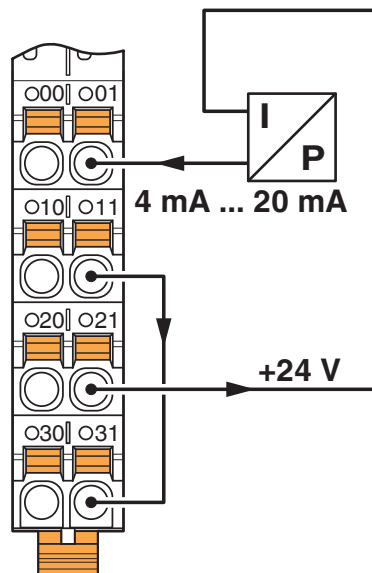
Analog module - AXL F AI4 I 1H

2688491

<https://www.phoenixcontact.com/pc/products/2688491>

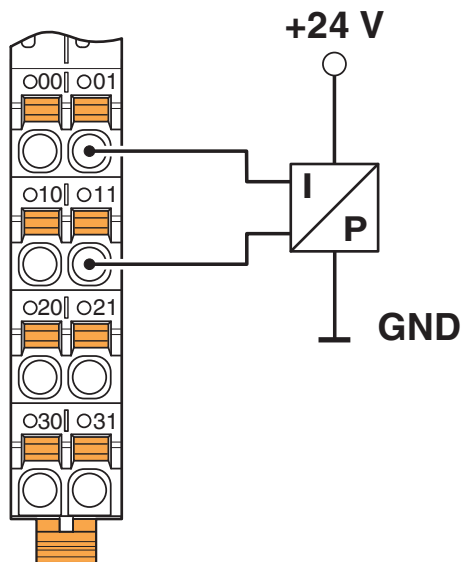
Drawings

Connection diagram



Differential current input with passive 2-conductor transmitter (current loop)

Connection diagram



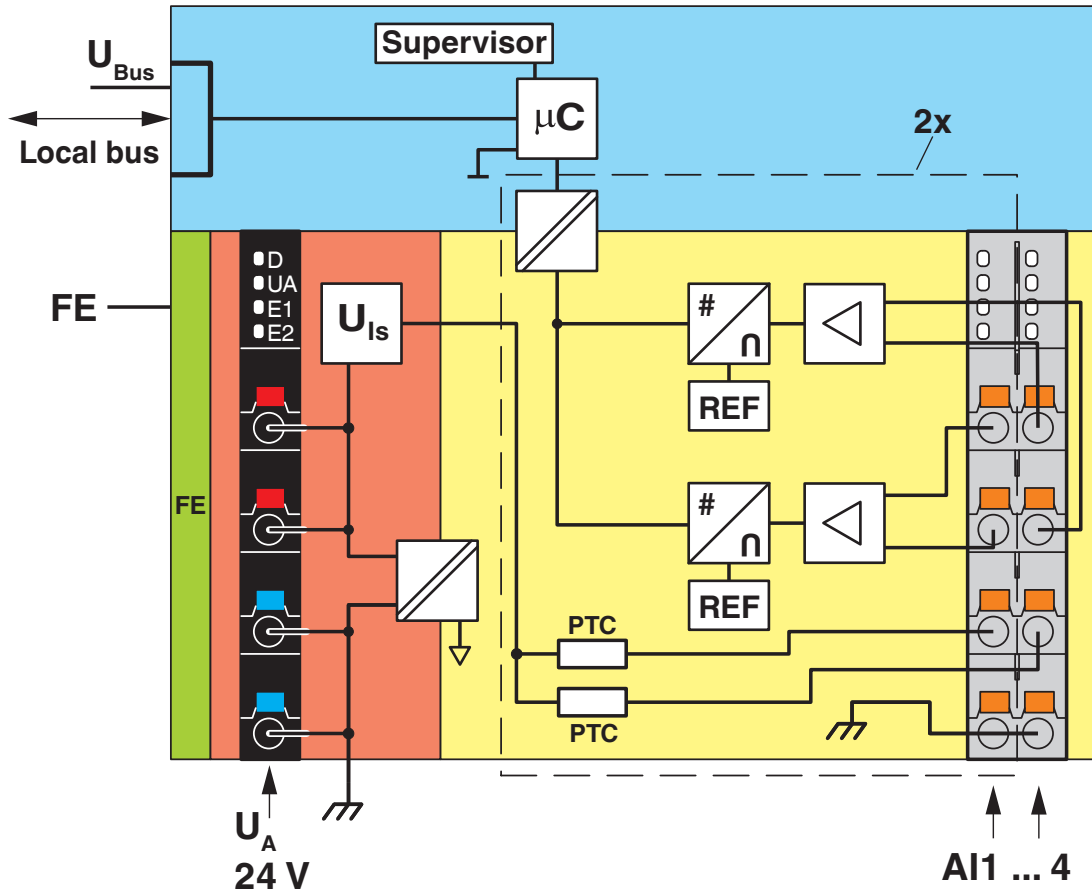
Passive pressure sensor at a differential current input

Analog module - AXL F AI4 I 1H

2688491

<https://www.phoenixcontact.com/pc/products/2688491>

Block diagram



Internal wiring of the terminal points

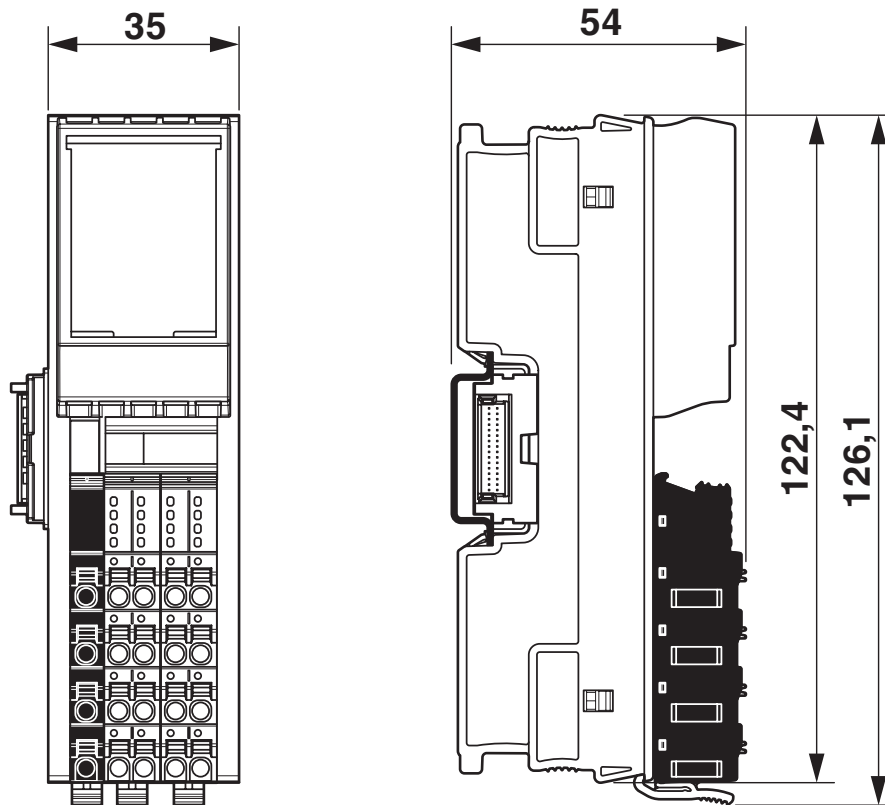
Analog module - AXL F AI4 I 1H

2688491

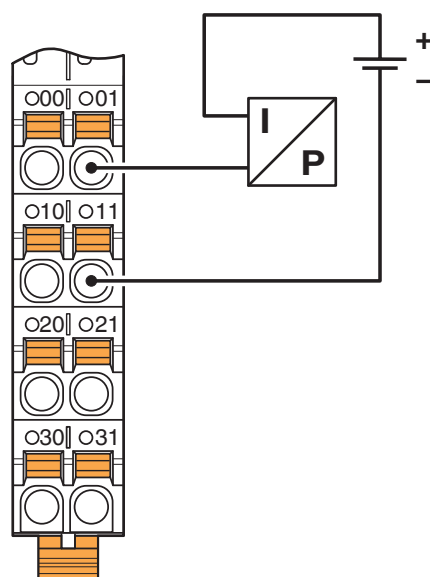
<https://www.phoenixcontact.com/pc/products/2688491>



Dimensional drawing



Connection diagram



Differential current input with passive 2-conductor transmitter (current loop)

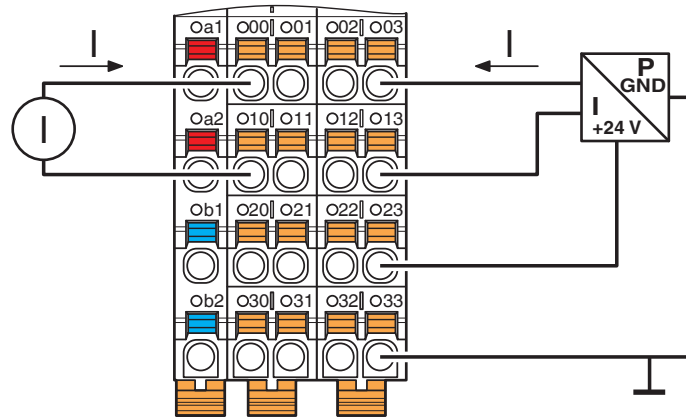
Analog module - AXL F AI4 I 1H

2688491

<https://www.phoenixcontact.com/pc/products/2688491>



Connection diagram



Connection for current measurement

Analog module - AXL F AI4 I 1H



2688491

<https://www.phoenixcontact.com/pc/products/2688491>

Approvals



EAC

Approval ID: TR_TS_D_01831-19



DNV GL

Approval ID: TAA00000DF



LR

Approval ID: LR2001902TA



BV

Approval ID: 36433/B4 BV



PRS

Approval ID: TE/1020/880590/21



UL Listed

Approval ID: FILE E 238705



cUL Listed

Approval ID: FILE E 238705

BSH

Approval ID: 840



RINA

Approval ID: ELE283021XG

ABS

Approval ID: 21-2187864-PDA

cULus Listed

Analog module - AXL F AI4 I 1H



2688491

<https://www.phoenixcontact.com/pc/products/2688491>

Classifications

ECLASS

ECLASS-9.0	27242601
ECLASS-10.0.1	27242601
ECLASS-11.0	27242601
ECLASS-12.0	27242601

ETIM

ETIM 8.0	EC001596
----------	----------

UNSPSC

UNSPSC 21.0	32151600
-------------	----------

Analog module - AXL F AI4 I 1H



2688491

<https://www.phoenixcontact.com/pc/products/2688491>

Environmental Product Compliance

REACH SVHC	Lead 7439-92-1
China RoHS	Environmentally Friendly Use Period = 50 years
	For information on hazardous substances, refer to the manufacturer's declaration available under "Downloads"

Analog module - AXL F AI4 I 1H

2688491

<https://www.phoenixcontact.com/pc/products/2688491>



Accessories

Bus connector

Bus connector - AXL F BS H - 2700992

<https://www.phoenixcontact.com/pc/products/2700992>

Axioline F bus base module for housing type H



Shield connection

Shield connection - AXL SHIELD SET - 2700518

<https://www.phoenixcontact.com/pc/products/2700518>

Axioline shield connection set (contains 2 shield bus holders and 2 SK 5 shield connection clamps)



Analog module - AXL F AI4 I 1H

2688491

<https://www.phoenixcontact.com/pc/products/2688491>

Zack marker strip

Zack marker strip - ZB 20,3 AXL UNPRINTED - 0829579

<https://www.phoenixcontact.com/pc/products/0829579>



Zack marker strip for Axioline F (device labeling), in 2 x 20.3 mm pitch, unprinted, 25-section, for individual labeling with B-STIFT 0.8, X-PEN, or CMS-P1-PLOTTER

Zack Marker strip, flat

Zack Marker strip, flat - ZBF 10/5,8 AXL UNPRINTED - 0829580

<https://www.phoenixcontact.com/pc/products/0829580>



Zack Marker strip, flat, Strip, white, unlabeled, can be labeled with: PLOTMARK, CMS-P1-PLOTTER, mounting type: snapped, for terminal block width: 10.15 mm, lettering field size: 4 of 10.15 x 5 mm and 1 of 5.8 x 5 mm, Number of individual labels: 50

Analog module - AXL F AI4 I 1H



2688491

<https://www.phoenixcontact.com/pc/products/2688491>

Insert label

Insert label - EMT (35X28)R - 0801602

<https://www.phoenixcontact.com/pc/products/0801602>



Insert label, for marking the Axioline F series from Phoenix Contact, Roll, white, unlabeled, can be labeled with: THERMOMARK ROLLMASTER 300/600, THERMOMARK X1.2, THERMOMARK ROLL X1, THERMOMARK ROLL 2.0, THERMOMARK ROLL, mounting type: insert, lettering field size: 35 x 28 mm, Number of individual labels: 500

Phoenix Contact 2022 © - all rights reserved

<https://www.phoenixcontact.com>

PHOENIX CONTACT GmbH & Co. KG

Flachsmarktstraße 8

D-32825 Blomberg

+49 (0) 5235-3 00

info@phoenixcontact.com