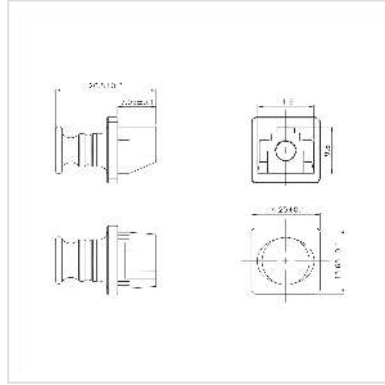


VALUE RJ45 Socket Dust Protector, black

Product No.	26.99.0322
Manufacturer	VALUE
Manufacturer No.	26.99.0322
EAN (single piece)	7630049621954



- To protect RJ45/network sockets and patch panels against dust when ports are not in use
- Material: PVC
- Color: Black
- Content: 10 pcs.

Technical specifications

Manufacturer	VALUE
Product group	Connection technology TP
Product type	Cover
Colour	black
Height of packaging (single piece)	30 mm
Width of packaging (single piece)	20 mm
Depth of packaging (single piece)	50 mm
Package weight (single piece)	0.01 kg