

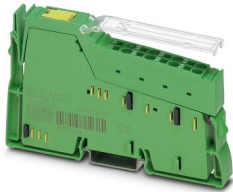
Analog module - IB IL AO 2/UI-PAC



2700775

<https://www.phoenixcontact.com/pc/products/2700775>

Please be informed that the data shown in this PDF document is generated from our Online Catalog. Please find the complete data in the user documentation. Our General Terms of Use for Downloads are valid.



Inline, Analog output terminal, Analog outputs: 2, 0 V ... 10 V, -10 V ... 10 V, 0 mA ... 20 mA, 4 mA ... 20 mA, -20 mA ... 20 mA, connection technology: 2-conductor, transmission speed in the local bus: 500 kbps, degree of protection: IP20, including Inline connector and labeling field

Your advantages

- 2 analog output channels
- Connection of actuators in 2-conductor technology
- Current ranges: 0 mA ... 20 mA, 4 mA ... 20 mA, ± 20 mA
- Voltage ranges: 0 V ... 10 V, ± 10 V
- Diagnostic and status indicators

Commercial Data

Item number	2700775
Packing unit	1 pc
Minimum order quantity	1 pc
Product Key	DRI142
Catalog Page	Page 143 (C-6-2019)
GTIN	4046356639965
Weight per Piece (including packing)	89.4 g
Weight per Piece (excluding packing)	66 g
Customs tariff number	85389091
Country of origin	DE

Analog module - IB IL AO 2/UI-PAC

2700775

<https://www.phoenixcontact.com/pc/products/2700775>



Technical Data

Dimensions

Dimensional drawing	
Width	12.2 mm
Height	119.8 mm
Depth	71.5 mm
Note on dimensions	Housing dimensions

Interfaces

Inline local bus

Number of interfaces	2
Connection method	Inline data jumper
Transmission speed	500 kbps
Transmission physics	Copper

System properties

Module

ID code (dec.)	91
ID code (hex)	5B
Length code (hex)	04
Length code (dec)	04
Process data channel	64 Bit
Input address area	8 Byte
Output address area	8 Byte
Register length	64 Bit
Required parameter data	10 Byte
Required configuration data	5 Byte

Output data

Analog

Output name	Analog outputs
Connection technology	2-conductor
Note regarding the connection technology	shielded
Number of outputs	2
D/A conversion time	typ. 10 µs

Analog module - IB IL AO 2/UI-PAC



2700775

<https://www.phoenixcontact.com/pc/products/2700775>

D/A converter resolution	12 bit
Protective circuit	Short-circuit and overload protection; Electronic
	Transient protection; Suppressor diode
Data formats	IB IL, S7-compatible
Representation of output values	12 bits (11 bits + sign bit)
Process data update	bus-synchronous
Current output signal	0 mA ... 20 mA
	4 mA ... 20 mA
	-20 mA ... 20 mA
Load/output load current output	≤ 450 Ω
Voltage output signal	0 V ... 10 V
	-10 V ... 10 V
Load/output load voltage output	> 1 kΩ
Permissible cable length	max. 250 m (The specifications refer to nominal operation after complying with installation instructions. The specifications refer to the following reference cable type: Shielded power station cable: LiYCY; 2 x 2 x 0,5 mm ² ; VDE0812)

Product properties

Type	modular
Product type	I/O component
Scope of delivery	including Inline connector and labeling field
Diagnostics messages	Failure of the internal I/O supply I/O error message sent to the bus coupler
	I/O supply failure Message in the diagnostic code (in the IB IL format)
	Short circuit/overload of the outputs Message in the diagnostic code (in the IB IL format)
	Configuration invalid Message in the diagnostic code (in the IB IL format)

Electrical properties

Maximum power dissipation for nominal condition	max. 1.97 W
---	-------------

Potentials

Power consumption	typ. 1.32 W (Nominal voltage load ($U_{OUT1/2} = 10\text{ V}$, $R_L = 1\text{ k}\Omega$))
	typ. 1.97 W (Nominal current load ($I_{OUT1/2} = 20\text{ mA}$, $R_L = 0\ \Omega$))

Potentials: Communications power (U_L)

Supply voltage	7.5 V DC (via voltage jumper)
Current draw	max. 65 mA
	typ. 55 mA

Potentials: Supply of analog modules (U_{ANA})

Supply voltage	24 V DC (via voltage jumper)
Supply voltage range	19.2 V DC ... 30 V DC (including all tolerances, including ripple)
Current draw	max. 75 mA (Nominal current load ($I_{OUT1/2} = 20\text{ mA}$, $R_L = 0\ \Omega$))
	max. 30 mA (No-load)

Analog module - IB IL AO 2/UI-PAC



2700775

<https://www.phoenixcontact.com/pc/products/2700775>

	typ. 38 mA (Nominal voltage load ($U_{OUT1/2} = 10\text{ V}$, $R_L = 1\text{ k}\Omega$))
	max. 45 mA (Nominal voltage load ($U_{OUT1/2} = 10\text{ V}$, $R_L = 1\text{ k}\Omega$))
	typ. 65 mA (Nominal current load ($I_{OUT1/2} = 20\text{ mA}$, $R_L = 0\ \Omega$))
	typ. 24 mA (No-load)

Connection data

Connection technology

Connection name	Inline connector
-----------------	------------------

Conductor connection

Connection method	Spring-cage connection
Conductor cross section solid	0.08 mm ² ... 1.5 mm ²
Conductor cross section flexible	0.08 mm ² ... 1.5 mm ²
Conductor cross section AWG	28 ... 16
Stripping length	8 mm

Inline connector

Connection method	Spring-cage connection
Conductor cross section, rigid	0.08 mm ² ... 1.5 mm ²
Conductor cross section, flexible	0.08 mm ² ... 1.5 mm ²
Conductor cross section AWG	28 ... 16
Stripping length	8 mm

Ambient conditions

Ambient temperature (operation)	-25 °C ... 55 °C
Degree of protection	IP20
Air pressure (operation)	70 kPa ... 106 kPa (up to 3000 m above sea level)
Air pressure (storage/transport)	70 kPa ... 106 kPa (up to 3000 m above sea level)
Ambient temperature (storage/transport)	-25 °C ... 85 °C
Permissible humidity (operation)	10 % ... 95 % (according to DIN EN 61131-2)
Permissible humidity (storage/transport)	10 % ... 95 % (according to DIN EN 61131-2)

Standards and regulations

Protection class	III (IEC 61140, EN 61140, VDE 0140-1)
------------------	---------------------------------------

Mounting

Mounting type	DIN rail mounting
---------------	-------------------

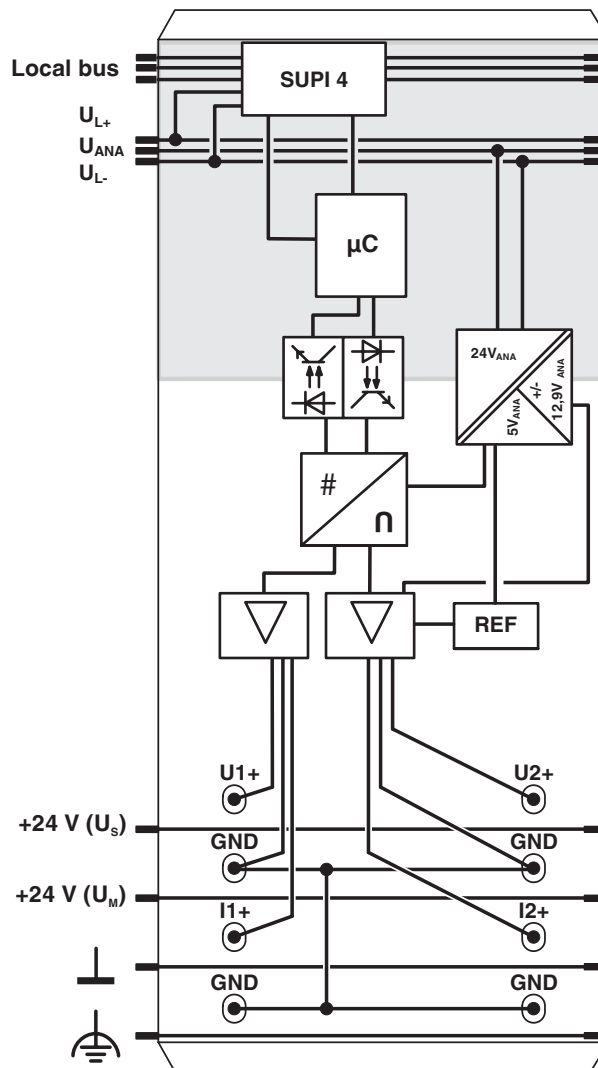
Analog module - IB IL AO 2/UI-PAC

2700775

<https://www.phoenixcontact.com/pc/products/2700775>

Drawings

Block diagram

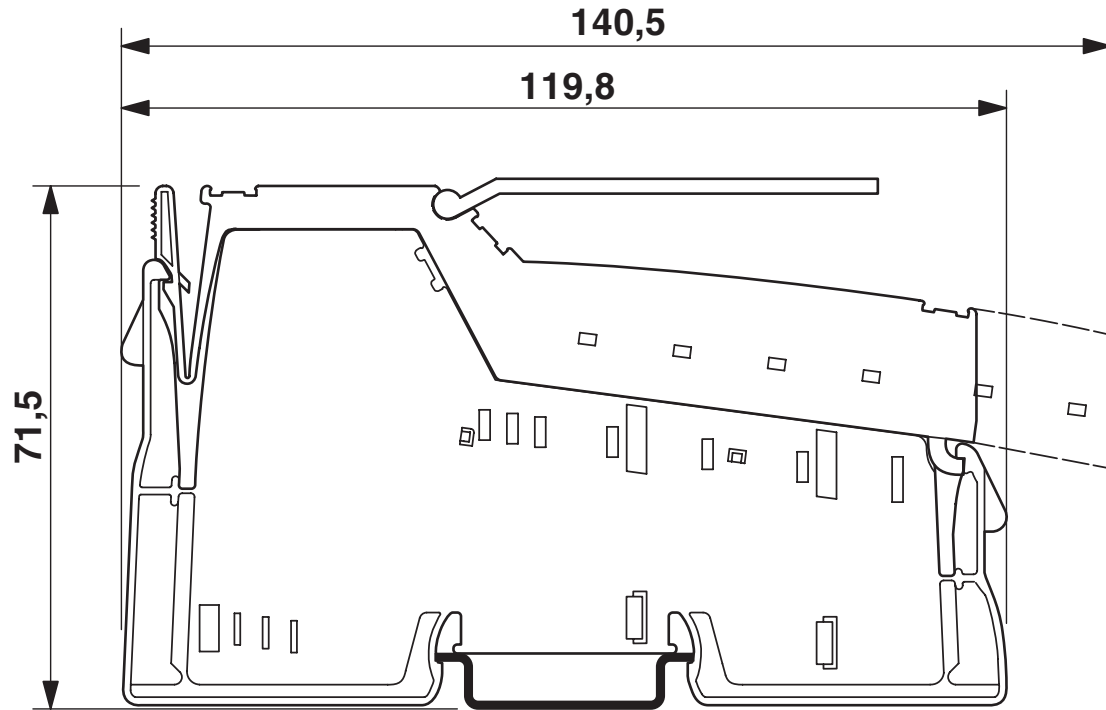


Analog module - IB IL AO 2/UI-PAC

2700775

<https://www.phoenixcontact.com/pc/products/2700775>

Dimensional drawing



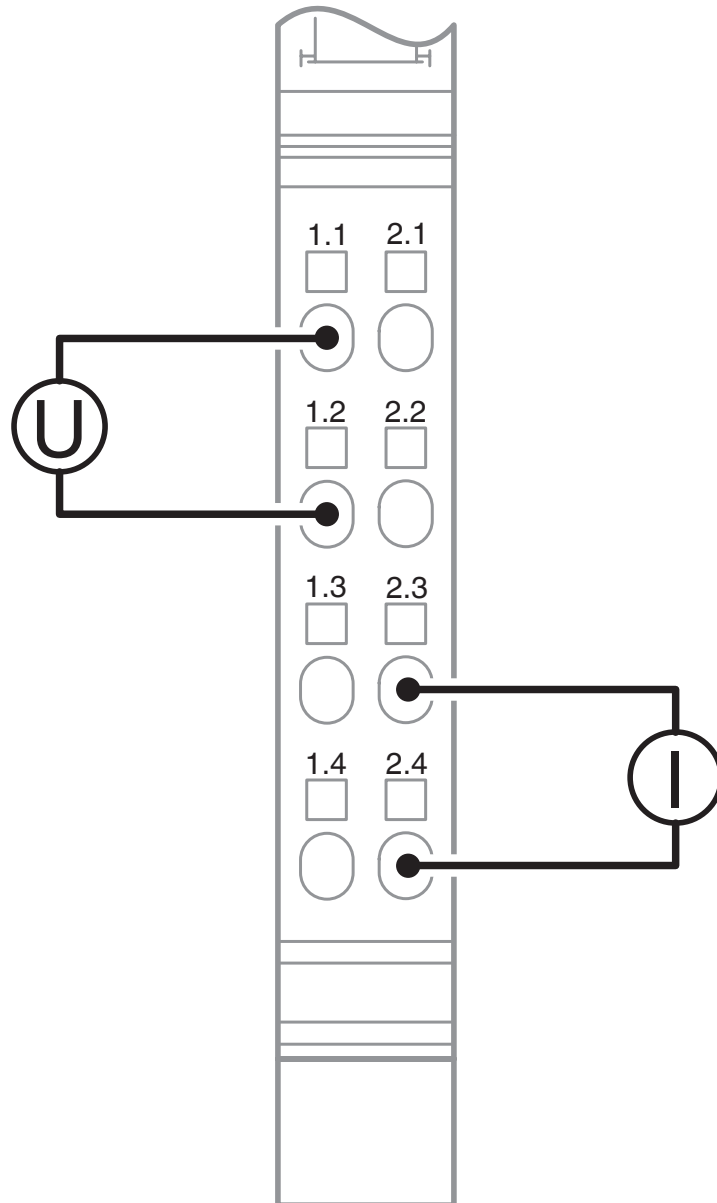
Analog module - IB IL AO 2/UI-PAC

2700775

<https://www.phoenixcontact.com/pc/products/2700775>



Connection diagram



Analog module - IB IL AO 2/UI-PAC



2700775

<https://www.phoenixcontact.com/pc/products/2700775>

Approvals



EAC

Approval ID: TR TS_D_01921-19



UL Listed

Approval ID: FILE E 140324



cUL Listed

Approval ID: FILE E 140324

cULus Listed

Analog module - IB IL AO 2/UI-PAC



2700775

<https://www.phoenixcontact.com/pc/products/2700775>

Classifications

ECLASS

ECLASS-9.0	27242601
ECLASS-10.0.1	27242601
ECLASS-11.0	27242601
ECLASS-12.0	27242601

ETIM

ETIM 8.0	EC001596
----------	----------

UNSPSC

UNSPSC 21.0	32151600
-------------	----------

Analog module - IB IL AO 2/UI-PAC

2700775

<https://www.phoenixcontact.com/pc/products/2700775>



Environmental Product Compliance

REACH SVHC

Lead 7439-92-1

2700775

<https://www.phoenixcontact.com/pc/products/2700775>

Accessories

Shield connection clamp

Shield connection clamp - SK 8 - 3025163

<https://www.phoenixcontact.com/pc/products/3025163>



Shield connection clamp, for shield on busbars, contact resistance < 1 mΩ

Shield connection clamp

Shield connection clamp - SK 14 - 3025176

<https://www.phoenixcontact.com/pc/products/3025176>



Shield connection clamp, for shield on busbars, contact resistance < 1 mΩ

Analog module - IB IL AO 2/UI-PAC

2700775

<https://www.phoenixcontact.com/pc/products/2700775>

Shield connection clamp

Shield connection clamp - SK 20 - 3025189

<https://www.phoenixcontact.com/pc/products/3025189>

Shield connection clamp, for shield on busbars, contact resistance < 1 mΩ



Shield connection clamp

Shield connection clamp - SK 35 - 3026463

<https://www.phoenixcontact.com/pc/products/3026463>

Shield connection clamp, for shield on busbars, contact resistance < 1 mΩ



Analog module - IB IL AO 2/UI-PAC

2700775

<https://www.phoenixcontact.com/pc/products/2700775>



Support bracket

Support bracket - AB-SK - 3025341

<https://www.phoenixcontact.com/pc/products/3025341>

Support bracket for busbars



Support bracket

Support bracket - AB-SK 65 - 3026489

<https://www.phoenixcontact.com/pc/products/3026489>

Support bracket, Bracket for busbars, set every 20 cm, length: 95.5 mm, width: 6.2 mm, number of positions: 1, color: gray



Analog module - IB IL AO 2/UI-PAC

2700775

<https://www.phoenixcontact.com/pc/products/2700775>



Support bracket

Support bracket - AB-SK/E - 3026476

<https://www.phoenixcontact.com/pc/products/3026476>

Support bracket, Bracket for busbars, set every 20 cm, length: 10 mm, width: 56 mm, height: 20 mm, number of positions: 2, color: silver



Neutral busbar

Neutral busbar - NLS-CU 3/10 SN 1000MM - 0402174

<https://www.phoenixcontact.com/pc/products/0402174>

Neutral busbar, DIN VDE 0611-4: 1991-02, material: Copper, tin-plated, color: silver



Analog module - IB IL AO 2/UI-PAC

2700775

<https://www.phoenixcontact.com/pc/products/2700775>



Connection terminal block

Connection terminal block - AK 4 - 0404017

<https://www.phoenixcontact.com/pc/products/0404017>



Connection terminal block, connection method: Screw connection, Rated cross section: 4 mm², cross section: 0.5 mm² - 6 mm², mounting: Neutral busbar, color: silver

Connection terminal block

Connection terminal block - AKG 4 GNYE - 0421029

<https://www.phoenixcontact.com/pc/products/0421029>



Connection terminal block, nom. voltage: 300 V, nominal current: 41 A, connection method: Screw connection, Rated cross section: 4 mm², cross section: 0.5 mm² - 6 mm², mounting: Neutral busbar, color: green-yellow

Analog module - IB IL AO 2/UI-PAC

2700775

<https://www.phoenixcontact.com/pc/products/2700775>



Connection terminal block

Connection terminal block - AKG 4 BK - 0421032

<https://www.phoenixcontact.com/pc/products/0421032>



Connection terminal block, nom. voltage: 300 V, nominal current: 41 A, connection method: Screw connection, Rated cross section: 4 mm², cross section: 0.5 mm² - 6 mm², mounting: Neutral busbar, color: black

Phoenix Contact 2022 © - all rights reserved

<https://www.phoenixcontact.com>

PHOENIX CONTACT GmbH & Co. KG

Flachsmarktstraße 8

D-32825 Blomberg

+49 (0) 5235-3 00

info@phoenixcontact.com