

Digital module - AXL E PB DI16 M12 6P



2701498

<https://www.phoenixcontact.com/pc/products/2701498>

Please be informed that the data shown in this PDF document is generated from our Online Catalog. Please find the complete data in the user documentation. Our General Terms of Use for Downloads are valid.



Axioline E, Digital input device, PROFIBUS DP, M12 fast connection technology, Digital inputs: 16, 24 V DC, connection technology: 4-conductor, Plastic housing, degree of protection: IP65/IP67

Product Description

The Axioline E device is designed for use within a PROFIBUS network. It is used to acquire digital signals.

Your advantages

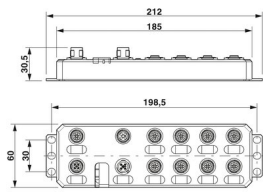
- Connection to PROFIBUS DP using M12 connectors (B-coded)
- Baud rate of up to 12 Mbaud (automatic baud rate detection)
- Connection of digital sensors using M12connectors (A-coded)
- Diagnostic and status indicators
- Short-circuit and overload protection of the sensor supply
- IP65/IP67 degree of protection

Commercial Data

Item number	2701498
Packing unit	1 pc
Minimum order quantity	1 pc
Product Key	DRI7D2
Catalog Page	Page 178 (C-6-2019)
GTIN	4046356763523
Weight per Piece (including packing)	552.4 g
Weight per Piece (excluding packing)	480 g
Customs tariff number	85176200
Country of origin	DE

Technical Data

Dimensions

Dimensional drawing	
Width	60 mm
Height	185 mm
Depth	30.5 mm
Drill hole spacing	198.5 mm
Note on dimensions	The height is 212 mm including fixing clips.

Material specifications

Housing material	Pocan®
Color	anthracite

Interfaces

PROFIBUS DP

Number of interfaces	2
Connection method	M12 fast connection technology
Note on the connection method	B-coded
Designation connection point	Copper cable
Number of positions	5
Transmission speed	9.6 kbps ... 12 Mbps (Automatic baud rate detection)
Transmission physics	PROFIBUS-DP-compliant copper cable
Address area assignment	1 ... 126, adjustable

PROFIBUS DP

Equipment type	PROFIBUS slave
System-specific protocols	PROFIBUS protocols DP V1

System properties

Module

ID code (hex)	0E5B
Input address area	16 Bit
Output address area	0 Bit
Register length	8 Bit

Input data

Digital

Input name	Digital inputs
Description of the input	EN 61131-2 types 1 and 3
Number of inputs	16
Cable length	max. 30 m (to the sensor)
Connection method	M12 connector, double occupancy
Connection technology	4-conductor
Input voltage range "0" signal	0 V ... 5 V DC
Input voltage range "1" signal	11 V DC ... 30 V DC
Nominal input voltage U_{IN}	24 V DC
Nominal input current at U_{IN}	typ. 3 mA
Input filter time	< 1000 μ s
Protective circuit	Overload protection, short-circuit protection of sensor supply

Product properties

Type	Stand-alone
Product type	I/O component

Electrical properties

Potentials

Voltage supply U_S	24 V DC
Power supply at U_S	max. 4 A
Current consumption from U_S	typ. 8 mA max. 1.2 A

Supply: Module electronics and sensors

Designation	Supply of module electronics and sensors (U_S)
Connection method	M12 connector (T-coded)
Number of positions	4
Supply voltage	24 V DC
Supply voltage range	18 V DC ... 31.2 V DC (including all tolerances, including ripple)
Current consumption	typ. 165 mA \pm 15 % (at 24 V DC) max. 12 A

Supply: Actuators

Designation	Supply of actuators (U_A) for additional devices
Connection method	M12 connector (T-coded)
Number of positions	4
Supply voltage	24 V DC
Supply voltage range	18 V DC ... 31.2 V DC (including all tolerances, including ripple)
Current consumption	typ. 3 mA \pm 15 % (at 24 V DC) max. 12 A

Connection data

Digital module - AXL E PB DI16 M12 6P



2701498

<https://www.phoenixcontact.com/pc/products/2701498>

Connection method	M12 connector
-------------------	---------------

Ambient conditions

Ambient temperature (operation)	-25 °C ... 60 °C
Degree of protection	IP65/IP67
Air pressure (operation)	70 kPa ... 106 kPa (up to 3000 m above sea level)
Air pressure (storage/transport)	70 kPa ... 106 kPa (up to 3000 m above sea level)
Ambient temperature (storage/transport)	-25 °C ... 85 °C
Permissible humidity (operation)	5 % ... 95 %
Permissible humidity (storage/transport)	5 % ... 95 %

Standards and regulations

Protection class	III (IEC 61140, EN 61140, VDE 0140-1)
------------------	---------------------------------------

Mounting

Mounting type	Wall mounting
---------------	---------------

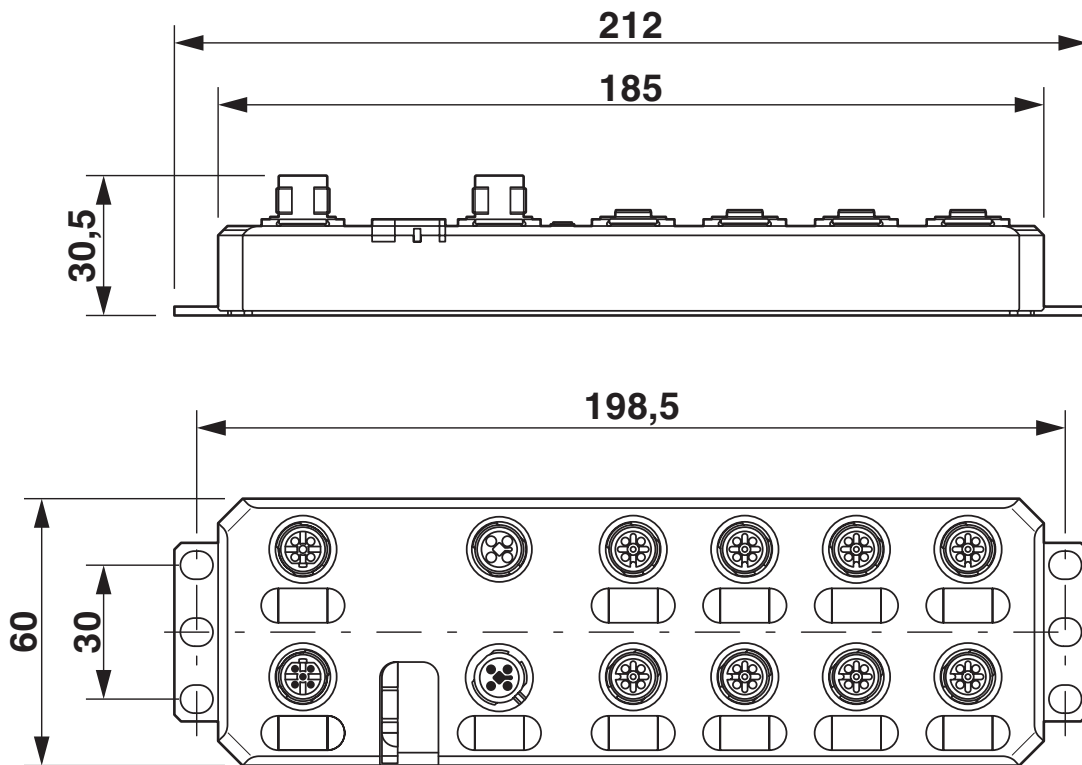
Digital module - AXL E PB DI16 M12 6P

2701498

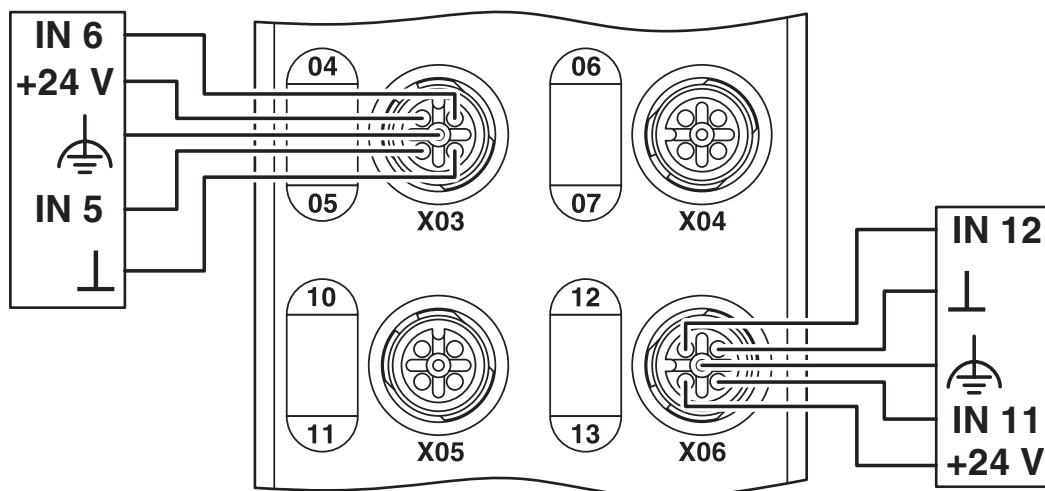
<https://www.phoenixcontact.com/pc/products/2701498>

Drawings

Dimensional drawing



Connection diagram



2701498

<https://www.phoenixcontact.com/pc/products/2701498>

Approvals



UL Listed

Approval ID: FILE E 140324



cUL Listed

Approval ID: FILE E 140324

PROFIBUS

Approval ID: Z01815



cUL Listed

Approval ID: FILE E 199827



UL Listed

Approval ID: FILE E 199827

cULus Listed

cULus Listed

2701498

<https://www.phoenixcontact.com/pc/products/2701498>

Classifications

ECLASS

ECLASS-9.0	27242604
ECLASS-10.0.1	27242604
ECLASS-11.0	27242604

ETIM

ETIM 8.0	EC001599
----------	----------

UNSPSC

UNSPSC 21.0	32151600
-------------	----------

Digital module - AXL E PB DI16 M12 6P



2701498

<https://www.phoenixcontact.com/pc/products/2701498>

Environmental Product Compliance

REACH SVHC	Lead 7439-92-1
China RoHS	Environmentally Friendly Use Period = 25;
	For information on hazardous substances, refer to the manufacturer's declaration available under "Downloads"

Digital module - AXL E PB DI16 M12 6P



2701498

<https://www.phoenixcontact.com/pc/products/2701498>

Accessories

Screw plug

Screw plug - PROT-M12 - 1680539

<https://www.phoenixcontact.com/pc/products/1680539>



An M12 screw plug for the unoccupied M12 sockets of the sensor/actuator cable, boxes and flush-type connectors

Connector

Connector - SACC-M12FSB-5PL SH - 1424664

<https://www.phoenixcontact.com/pc/products/1424664>



Connector, Universal, 5-position, shielded, Socket straight M12, B - inverse, Push-lock spring connection, knurl material: Zinc die-cast, nickel-plated, external cable diameter 4 mm ... 8 mm

Digital module - AXL E PB DI16 M12 6P

2701498

<https://www.phoenixcontact.com/pc/products/2701498>

Data connector

Data connector - SACC-M12FSB-5CON-PG9 SH AU - 1507777

<https://www.phoenixcontact.com/pc/products/1507777>



Data connector, PROFIBUS, INTERBUS, 5-position, shielded, Socket straight M12, B - inverse, Screw connection, knurl material: Zinc die-cast, nickel-plated, cable gland Pg9, external cable diameter 6.5 mm ... 8.5 mm

Data connector

Data connector - SACC-M12MSB-5CON-PG9 SH AU - 1507764

<https://www.phoenixcontact.com/pc/products/1507764>



Data connector, PROFIBUS, INTERBUS, 5-position, shielded, Plug straight M12, B - inverse, Screw connection, knurl material: Zinc die-cast, nickel-plated, cable gland Pg9, external cable diameter 6.5 mm ... 8.5 mm

Digital module - AXL E PB DI16 M12 6P

2701498

<https://www.phoenixcontact.com/pc/products/2701498>

T distributor

T distributor - SAC-M12T/2XM12 PBDP - 1458884

<https://www.phoenixcontact.com/pc/products/1458884>

T distributor, PROFIBUS DP (12 Mbps), 4-position, shielded, Plug straight M12, coding: B, on Plug straight M12, coding: B and Socket straight M12, coding: B



Termination resistor

Termination resistor - SAC-5P-M12MS PB TR - 1507803

<https://www.phoenixcontact.com/pc/products/1507803>

Terminating resistor PROFIBUS M12



Digital module - AXL E PB DI16 M12 6P

2701498

<https://www.phoenixcontact.com/pc/products/2701498>

Snap-in markers

Snap-in markers - UCT-EM (7X10) - 0830765

<https://www.phoenixcontact.com/pc/products/0830765>

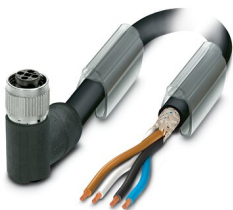


Snap-in markers, Sheet, white, unlabeled, can be labeled with: TOPMARK NEO, TOPMARK LASER, BLUEMARK ID COLOR, BLUEMARK ID, BLUEMARK CLED, THERMOMARK PRIME, THERMOMARK CARD 2.0, THERMOMARK CARD, mounting type: snapped, lettering field size: 7 x 10 mm, Number of individual labels: 30

Power cable

Power cable - SAC-4P- 1,5-PUR/M12FRT SH - 1424116

<https://www.phoenixcontact.com/pc/products/1424116>



Power cable, 4-position, PUR halogen-free, black RAL 9005, shielded (Advanced Shielding Technology), free cable end, on Socket angled M12, coding: T, cable length: 1.5 m, For direct current up to 12 A/63 V

Digital module - AXL E PB DI16 M12 6P

2701498

<https://www.phoenixcontact.com/pc/products/2701498>

Power cable

Power cable - SAC-4P-M12MST/ 1,5-PUR SH - 1424120

<https://www.phoenixcontact.com/pc/products/1424120>

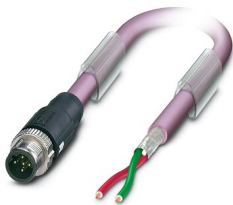


Power cable, 4-position, PUR halogen-free, black RAL 9005, shielded (Advanced Shielding Technology), Plug straight M12, coding: T, on free cable end, cable length: 1.5 m, For direct current up to 12 A/63 V

Bus system cable

Bus system cable - SAC-2P-MSB SCO/910/... - 1538050

<https://www.phoenixcontact.com/pc/products/1538050>



Bus system cable, PROFIBUS (12 Mbps), 2-position, PUR halogen-free, red lilac RAL 4001, shielded, Plug straight M12 SPEEDCON, coding: B, on free cable end, cable length: Free input (0.2 ... 40.0 m)

Digital module - AXL E PB DI16 M12 6P

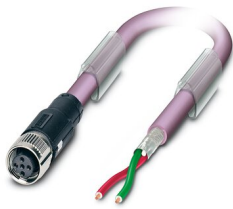
2701498

<https://www.phoenixcontact.com/pc/products/2701498>

Bus system cable

Bus system cable - SAC-2P-FSB SCO/910/... - 1538076

<https://www.phoenixcontact.com/pc/products/1538076>



Bus system cable, PROFIBUS (12 Mbps), 2-position, PUR halogen-free, red lilac RAL 4001, shielded, free cable end, on Socket straight M12 SPEEDCON, coding: B, cable length: Free input (0.2 ... 40.0 m)

Bus system cable

Bus system cable - SAC-2P-MSB-FSB SCO/910/... - 1538092

<https://www.phoenixcontact.com/pc/products/1538092>



Bus system cable, PROFIBUS (12 Mbps), 2-position, PUR halogen-free, red lilac RAL 4001, shielded, Plug straight M12 SPEEDCON, coding: B, on Socket straight M12 SPEEDCON, coding: B, cable length: Free input (0.2 ... 40.0 m)

Digital module - AXL E PB DI16 M12 6P

2701498

<https://www.phoenixcontact.com/pc/products/2701498>

Bus system cable

Bus system cable - SAC-2P-MSB-FRB SCO/910/... - 1433252

<https://www.phoenixcontact.com/pc/products/1433252>



Bus system cable, PROFIBUS (12 Mbps), 2-position, PUR halogen-free, red lilac RAL 4001, shielded, Plug straight M12 SPEEDCON, coding: B, on Socket angled M12 SPEEDCON, coding: B, cable length: Free input (0.2 ... 40.0 m)

Power cable

Power cable - SAC-4P-M12MST/ 1,0-PUR - 1408812

<https://www.phoenixcontact.com/pc/products/1408812>



Power cable, 4-position, PUR halogen-free, black-gray RAL 7021, Plug straight M12, coding: T, on free cable end, cable length: 1 m, For direct current up to 12 A/63 V

Digital module - AXL E PB DI16 M12 6P

2701498

<https://www.phoenixcontact.com/pc/products/2701498>

Power cable

Power cable - SAC-4P-M12MST/ 2,0-PUR - 1408813

<https://www.phoenixcontact.com/pc/products/1408813>



Power cable, 4-position, PUR halogen-free, black-gray RAL 7021, Plug straight M12, coding: T, on free cable end, cable length: 2 m, For direct current up to 12 A/63 V

Power cable

Power cable - SAC-4P-M12MST/ 5,0-PUR - 1408814

<https://www.phoenixcontact.com/pc/products/1408814>



Power cable, 4-position, PUR halogen-free, black-gray RAL 7021, Plug straight M12, coding: T, on free cable end, cable length: 5 m, For direct current up to 12 A/63 V

Digital module - AXL E PB DI16 M12 6P

2701498

<https://www.phoenixcontact.com/pc/products/2701498>

Power cable

Power cable - SAC-4P-M12MST/10,0-PUR - 1408815

<https://www.phoenixcontact.com/pc/products/1408815>



Power cable, 4-position, PUR halogen-free, black-gray RAL 7021, Plug straight M12, coding: T, on free cable end, cable length: 10 m, For direct current up to 12 A/63 V

Power cable

Power cable - SAC-4P-M12MRT/ 1,0-PUR - 1408816

<https://www.phoenixcontact.com/pc/products/1408816>



Power cable, 4-position, PUR halogen-free, black-gray RAL 7021, Plug angled M12, coding: T, on free cable end, cable length: 1 m, For direct current up to 12 A/63 V

Digital module - AXL E PB DI16 M12 6P

2701498

<https://www.phoenixcontact.com/pc/products/2701498>

Power cable

Power cable - SAC-4P-M12MRT/ 2,0-PUR - 1408819

<https://www.phoenixcontact.com/pc/products/1408819>



Power cable, 4-position, PUR halogen-free, black-gray RAL 7021, Plug angled M12, coding: T, on free cable end, cable length: 2 m, For direct current up to 12 A/63 V

Power cable

Power cable - SAC-4P-M12MRT/ 5,0-PUR - 1408820

<https://www.phoenixcontact.com/pc/products/1408820>



Power cable, 4-position, PUR halogen-free, black-gray RAL 7021, Plug angled M12, coding: T, on free cable end, cable length: 5 m, For direct current up to 12 A/63 V

Digital module - AXL E PB DI16 M12 6P

2701498

<https://www.phoenixcontact.com/pc/products/2701498>

Power cable

Power cable - SAC-4P-M12MRT/10,0-PUR - 1408822

<https://www.phoenixcontact.com/pc/products/1408822>



Power cable, 4-position, PUR halogen-free, black-gray RAL 7021, Plug angled M12, coding: T, on free cable end, cable length: 10 m, For direct current up to 12 A/63 V

Power cable

Power cable - SAC-4P- 1,0-PUR/M12FST - 1408823

<https://www.phoenixcontact.com/pc/products/1408823>



Power cable, 4-position, PUR halogen-free, black-gray RAL 7021, free cable end, on Socket straight M12, coding: T, cable length: 1 m, For direct current up to 12 A/63 V

Digital module - AXL E PB DI16 M12 6P

2701498

<https://www.phoenixcontact.com/pc/products/2701498>

Power cable

Power cable - SAC-4P- 2,0-PUR/M12FST - 1408824

<https://www.phoenixcontact.com/pc/products/1408824>



Power cable, 4-position, PUR halogen-free, black-gray RAL 7021, free cable end, on Socket straight M12, coding: T, cable length: 2 m, For direct current up to 12 A/63 V

Power cable

Power cable - SAC-4P- 5,0-PUR/M12FST - 1408825

<https://www.phoenixcontact.com/pc/products/1408825>



Power cable, 4-position, PUR halogen-free, black-gray RAL 7021, free cable end, on Socket straight M12, coding: T, cable length: 5 m, For direct current up to 12 A/63 V

Digital module - AXL E PB DI16 M12 6P

2701498

<https://www.phoenixcontact.com/pc/products/2701498>

Power cable

Power cable - SAC-4P-10,0-PUR/M12FST - 1408826

<https://www.phoenixcontact.com/pc/products/1408826>



Power cable, 4-position, PUR halogen-free, black-gray RAL 7021, free cable end, on Socket straight M12, coding: T, cable length: 10 m, For direct current up to 12 A/63 V

Power cable

Power cable - SAC-4P- 1,0-PUR/M12FRT - 1408827

<https://www.phoenixcontact.com/pc/products/1408827>



Power cable, 4-position, PUR halogen-free, black-gray RAL 7021, free cable end, on Socket angled M12, coding: T, cable length: 1 m, For direct current up to 12 A/63 V

Digital module - AXL E PB DI16 M12 6P

2701498

<https://www.phoenixcontact.com/pc/products/2701498>

Power cable

Power cable - SAC-4P- 2,0-PUR/M12FRT - 1408828

<https://www.phoenixcontact.com/pc/products/1408828>



Power cable, 4-position, PUR halogen-free, black-gray RAL 7021, free cable end, on Socket angled M12, coding: T, cable length: 2 m, For direct current up to 12 A/63 V

Power cable

Power cable - SAC-4P- 5,0-PUR/M12FRT - 1408829

<https://www.phoenixcontact.com/pc/products/1408829>



Power cable, 4-position, PUR halogen-free, black-gray RAL 7021, free cable end, on Socket angled M12, coding: T, cable length: 5 m, For direct current up to 12 A/63 V

Digital module - AXL E PB DI16 M12 6P

2701498

<https://www.phoenixcontact.com/pc/products/2701498>

Power cable

Power cable - SAC-4P-10,0-PUR/M12FRT - 1408830

<https://www.phoenixcontact.com/pc/products/1408830>



Power cable, 4-position, PUR halogen-free, black-gray RAL 7021, free cable end, on Socket angled M12, coding: T, cable length: 10 m, For direct current up to 12 A/63 V

Power cable

Power cable - SAC-4P-M12MST/ 0,3-PUR/M12FST - 1408806

<https://www.phoenixcontact.com/pc/products/1408806>



Power cable, 4-position, PUR halogen-free, black-gray RAL 7021, Plug straight M12, coding: T, on Socket straight M12, coding: T, cable length: 0.3 m, For direct current up to 12 A/63 V

Digital module - AXL E PB DI16 M12 6P

2701498

<https://www.phoenixcontact.com/pc/products/2701498>

Power cable

Power cable - SAC-4P-M12MST/ 0,6-PUR/M12FST - 1408807

<https://www.phoenixcontact.com/pc/products/1408807>



Power cable, 4-position, PUR halogen-free, black-gray RAL 7021, Plug straight M12, coding: T, on Socket straight M12, coding: T, cable length: 0.6 m, For direct current up to 12 A/63 V

Power cable

Power cable - SAC-4P-M12MST/ 1,0-PUR/M12FST - 1408808

<https://www.phoenixcontact.com/pc/products/1408808>



Power cable, 4-position, PUR halogen-free, black-gray RAL 7021, Plug straight M12, coding: T, on Socket straight M12, coding: T, cable length: 1 m, For direct current up to 12 A/63 V

Digital module - AXL E PB DI16 M12 6P

2701498

<https://www.phoenixcontact.com/pc/products/2701498>

Power cable

Power cable - SAC-4P-M12MST/ 2,0-PUR/M12FST - 1408809

<https://www.phoenixcontact.com/pc/products/1408809>



Power cable, 4-position, PUR halogen-free, black-gray RAL 7021, Plug straight M12, coding: T, on Socket straight M12, coding: T, cable length: 2 m, For direct current up to 12 A/63 V

Power cable

Power cable - SAC-4P-M12MST/ 5,0-PUR/M12FST - 1408810

<https://www.phoenixcontact.com/pc/products/1408810>



Power cable, 4-position, PUR halogen-free, black-gray RAL 7021, Plug straight M12, coding: T, on Socket straight M12, coding: T, cable length: 5 m, For direct current up to 12 A/63 V

Digital module - AXL E PB DI16 M12 6P

2701498

<https://www.phoenixcontact.com/pc/products/2701498>

Power cable

Power cable - SAC-4P-M12MST/10,0-PUR/M12FST - 1408811

<https://www.phoenixcontact.com/pc/products/1408811>



Power cable, 4-position, PUR halogen-free, black-gray RAL 7021, Plug straight M12, coding: T, on Socket straight M12, coding: T, cable length: 10 m, For direct current up to 12 A/63 V

Sensor/actuator cable

Sensor/actuator cable - SAC-3P-M12MS/.../... - 1696662

<https://www.phoenixcontact.com/pc/products/1696662>



Sensor/actuator cable, 3-position, Variable cable type, Plug straight M12, coding: A, on free cable end, cable length: Free input (0.2 ... 40.0 m)

Digital module - AXL E PB DI16 M12 6P

2701498

<https://www.phoenixcontact.com/pc/products/2701498>

Sensor/actuator cable

Sensor/actuator cable - SAC-3P-M12MR/.../... - 1696675

<https://www.phoenixcontact.com/pc/products/1696675>



Sensor/actuator cable, 3-position, Variable cable type, Plug angled M12, coding: A, on free cable end, cable length: Free input (0.2 ... 40.0 m)

Sensor/actuator cable

Sensor/actuator cable - SAC-3P-M12MS-M12FS/.../... - 1696756

<https://www.phoenixcontact.com/pc/products/1696756>



Sensor/actuator cable, 3-position, Variable cable type, Plug straight M12, coding: A, on Socket straight M12, coding: A, cable length: Free input (0.2 ... 40.0 m)

Digital module - AXL E PB DI16 M12 6P

2701498

<https://www.phoenixcontact.com/pc/products/2701498>

Sensor/actuator cable

Sensor/actuator cable - SAC-3P-M12MR-M12FS/.../... - 1513428

<https://www.phoenixcontact.com/pc/products/1513428>



Sensor/actuator cable, 3-position, Variable cable type, Plug angled M12, coding: A, on Socket straight M12, coding: A, cable length: Free input (0.2 ... 40.0 m)

Sensor/actuator cable

Sensor/actuator cable - SAC-3P-M12MR-M12FR/.../... - 1513318

<https://www.phoenixcontact.com/pc/products/1513318>



Sensor/actuator cable, 3-position, Variable cable type, Plug angled M12, coding: A, on Socket angled M12, coding: A, cable length: Free input (0.2 ... 40.0 m)

Digital module - AXL E PB DI16 M12 6P

2701498

<https://www.phoenixcontact.com/pc/products/2701498>

Sensor/actuator cable

Sensor/actuator cable - SAC-4P-MS SCO/.../... - 1523560

<https://www.phoenixcontact.com/pc/products/1523560>



Sensor/actuator cable, 4-position, Variable cable type, Plug straight M12 SPEEDCON, coding: A, on free cable end, cable length: Free input (0.2 ... 40.0 m)

Sensor/actuator cable

Sensor/actuator cable - SAC-4P-MR SCO/.../... - 1523573

<https://www.phoenixcontact.com/pc/products/1523573>



Sensor/actuator cable, 4-position, Variable cable type, Plug angled M12 SPEEDCON, coding: A, on free cable end, cable length: Free input (0.2 ... 40.0 m)

Digital module - AXL E PB DI16 M12 6P

2701498

<https://www.phoenixcontact.com/pc/products/2701498>

Sensor/actuator cable

Sensor/actuator cable - SAC-4P-MS-FS SCO/.../... - 1523586

<https://www.phoenixcontact.com/pc/products/1523586>



Sensor/actuator cable, 4-position, Variable cable type, Plug straight M12 SPEEDCON, coding: A, on Socket straight M12 SPEEDCON, coding: A, cable length: Free input (0.2 ... 40.0 m)

Sensor/actuator cable

Sensor/actuator cable - SAC-4P-M12MR-M12FS/.../... - 1697030

<https://www.phoenixcontact.com/pc/products/1697030>



Sensor/actuator cable, 4-position, Variable cable type, Plug angled M12, coding: A, on Socket straight M12, coding: A, cable length: Free input (0.2 ... 40.0 m)

Digital module - AXL E PB DI16 M12 6P

2701498

<https://www.phoenixcontact.com/pc/products/2701498>

Sensor/actuator cable

Sensor/actuator cable - SAC-4P-M12MR-M12FR/.../... - 1697043

<https://www.phoenixcontact.com/pc/products/1697043>



Sensor/actuator cable, 4-position, Variable cable type, Plug angled M12, coding: A, on Socket angled M12, coding: A, cable length: Free input (0.2 ... 40.0 m)

Sensor/actuator cable

Sensor/actuator cable - SAC-5P-M12MR/.../... - 1697108

<https://www.phoenixcontact.com/pc/products/1697108>



Sensor/actuator cable, 5-position, Variable cable type, Plug angled M12, coding: A, on free cable end, cable length: Free input (0.2 ... 40.0 m)

Digital module - AXL E PB DI16 M12 6P

2701498

<https://www.phoenixcontact.com/pc/products/2701498>

Sensor/actuator cable

Sensor/actuator cable - SAC-5P-MS-FS SCO/.../... - 1523625

<https://www.phoenixcontact.com/pc/products/1523625>



Sensor/actuator cable, 5-position, Variable cable type, Plug straight M12 SPEEDCON, coding: A, on Socket straight M12 SPEEDCON, coding: A, cable length: Free input (0.2 ... 40.0 m)

Sensor/actuator cable

Sensor/actuator cable - SAC-5P-M12MR-M12FS/.../... - 1508734

<https://www.phoenixcontact.com/pc/products/1508734>



Sensor/actuator cable, 5-position, Variable cable type, Plug angled M12, coding: A, on Socket straight M12, coding: A, cable length: Free input (0.2 ... 40.0 m)

Digital module - AXL E PB DI16 M12 6P

2701498

<https://www.phoenixcontact.com/pc/products/2701498>

Sensor/actuator cable

Sensor/actuator cable - SAC-5P-M12MR-M12FR/.../... - 1529506

<https://www.phoenixcontact.com/pc/products/1529506>



Sensor/actuator cable, 5-position, Variable cable type, Plug angled M12, coding: A, on Socket angled M12, coding: A, cable length: Free input (0.2 ... 40.0 m)

Y distributor

Y distributor - SAC-3P-Y/2XM 8FS SCO - 1523984

<https://www.phoenixcontact.com/pc/products/1523984>



Y distributor, 4-position, Plug straight M12 SPEEDCON, coding: A, on Socket straight M8, coding: A and Socket straight M8, coding: A

Digital module - AXL E PB DI16 M12 6P

2701498

<https://www.phoenixcontact.com/pc/products/2701498>

Y distributor

Y distributor - SAC-3P-Y/2XFS PE SCO - 1523971

<https://www.phoenixcontact.com/pc/products/1523971>



Y distributor, 4-position, Plug straight M12 SPEEDCON, coding: A, on Socket straight M12 SPEEDCON, coding: A and Socket straight M12 SPEEDCON, coding: A

Y distributor

Y distributor - SAC-3P-Y/2XFS B PE SCO - 1523968

<https://www.phoenixcontact.com/pc/products/1523968>



Y distributor, 4-position, Plug straight M12 SPEEDCON, coding: A, on Socket straight M12 SPEEDCON, coding: A, PIN 2+4 bridged and Socket straight M12 SPEEDCON, coding: A, PIN 2+4 bridged, Thread M12 socket not rotatable

Digital module - AXL E PB DI16 M12 6P



2701498

<https://www.phoenixcontact.com/pc/products/2701498>

Y distributor

Y distributor - SAC-5P-Y/2XFS VP SCO - 1546068

<https://www.phoenixcontact.com/pc/products/1546068>



Y distributor, 5-position, Plug straight M12 SPEEDCON, coding: A, on Socket straight M12 SPEEDCON, coding: A and Socket straight M12 SPEEDCON, coding: A, Parallel distributor, Thread M12 socket not rotatable

Phoenix Contact 2022 © - all rights reserved

<https://www.phoenixcontact.com>

PHOENIX CONTACT GmbH & Co. KG

Flachsmarktstraße 8

D-32825 Blomberg

+49 (0) 5235-3 00

info@phoenixcontact.com