

Digital module - AXL E EC DIO16 M12 6P



2701522

<https://www.phoenixcontact.com/pc/products/2701522>

Please be informed that the data shown in this PDF document is generated from our Online Catalog. Please find the complete data in the user documentation. Our General Terms of Use for Downloads are valid.



Axioline E, Digital I/O device, EtherCAT[®], M12 fast connection technology, Digital inputs: 16, 24 V DC, connection technology: 4-conductor, Digital outputs: 16, 24 V DC, connection technology: 3-conductor, Plastic housing, degree of protection: IP65/IP67

Product Description

The Axioline E device is designed for use within an EtherCAT[®] network. It is used to acquire and output digital signals.

Your advantages

- Connection to EtherCAT[®] network using M12 connectors (D-coded)
- Transmission speed of 100 Mbps
- Connection of digital sensors and actuators using M12connectors (A-coded)
- Diagnostic and status indicators
- Short-circuit and overload protection of the sensor supply
- IP65/IP67 degree of protection

Commercial Data

Item number	2701522
Packing unit	1 pc
Minimum order quantity	1 pc
Product Key	DRI7DE
Catalog Page	Page 168 (C-6-2019)
GTIN	4046356763721
Weight per Piece (including packing)	559.966 g
Weight per Piece (excluding packing)	541.3 g
Customs tariff number	85176200
Country of origin	DE

Technical Data

Dimensions

Dimensional drawing	
Width	60 mm
Height	185 mm
Depth	30.5 mm
Drill hole spacing	198.5 mm
Note on dimensions	The height is 212 mm including fixing clips.

Material specifications

Housing material	Pocan®
Color	anthracite

Interfaces

EtherCAT®

Number of interfaces	2
Connection method	M12 fast connection technology
Note on the connection method	D-coded
Designation connection point	Copper cable
Number of positions	4
Transmission speed	100 Mbps (with auto negotiation)

EtherCAT®

Equipment type	EtherCAT® slave
System-specific protocols	Mailbox protocols CANopen® over EtherCAT® Mailbox protocols File access over EtherCAT®
Specification	ETG.1000 V1.02

Input data

Digital

Input name	Digital inputs
Description of the input	EN 61131-2 types 1 and 3
Number of inputs	16
Cable length	max. 30 m (to the sensor)
Connection method	M12 connector, double occupancy
Connection technology	4-conductor
Input voltage range "0" signal	0 V ... 5 V DC

Digital module - AXL E EC DIO16 M12 6P



2701522

<https://www.phoenixcontact.com/pc/products/2701522>

Input voltage range "1" signal	11 V DC ... 30 V DC
Nominal input voltage U_{IN}	24 V DC
Nominal input current at U_{IN}	typ. 3 mA
Input filter time	< 1000 μ s
Protective circuit	Overload protection, short-circuit protection of sensor supply

Output data

Digital

Output name	Digital outputs
Connection method	M12 connector, double occupancy
Connection technology	3-conductor
Number of outputs	16
Protective circuit	Overload protection, short-circuit protection of outputs; yes
Output voltage	24 V DC
Maximum output current per channel	500 mA
Nominal output voltage	24 V DC (from voltage U_S)
Output voltage when switched off	max. 1 V
Output current when switched off	max. 20 μ A
Nominal load, inductive	12 VA (1.2 H, 48 Ω , with nominal voltage)
Nominal load, ohmic	12 W (48 Ω , with nominal voltage)
Switching frequency	max. 5500 per second (with at least 50 mA load current) max. 1 per second (with inductive load)
Reverse voltage resistance to short pulses	Reverse voltage proof
Behavior with overload	Auto restart

Product properties

Type	Stand-alone
Product type	I/O component

Electrical properties

Potentials

Voltage supply U_S	24 V DC
Power supply at U_S	max. 4 A
Current consumption from U_S	typ. 8 mA max. 1.2 A

Supply: Module electronics, sensors, and actuators

Designation	Module electronics, sensors and actuators (U_S)
Connection method	M12 connector (T-coded)
Number of positions	4
Supply voltage	24 V DC
Supply voltage range	18 V DC ... 31.2 V DC (including all tolerances, including ripple)
Current consumption	typ. 190 mA \pm 15 % (at 24 V DC) max. 12 A

Digital module - AXL E EC DIO16 M12 6P



2701522

<https://www.phoenixcontact.com/pc/products/2701522>

Supply: Actuators

Designation	Supply of actuators (U_A) for additional devices
Connection method	M12 connector (T-coded)
Number of positions	4
Supply voltage	24 V DC
Supply voltage range	18 V DC ... 31.2 V DC (including all tolerances, including ripple)
Current consumption	typ. 3 mA \pm 15 % (at 24 V DC) max. 12 A

Connection data

Connection method	M12 connector
-------------------	---------------

Ambient conditions

Ambient temperature (operation)	-25 °C ... 60 °C
Degree of protection	IP65/IP67
Air pressure (operation)	70 kPa ... 106 kPa (up to 3000 m above sea level)
Air pressure (storage/transport)	70 kPa ... 106 kPa (up to 3000 m above sea level)
Ambient temperature (storage/transport)	-25 °C ... 85 °C
Permissible humidity (operation)	5 % ... 95 %
Permissible humidity (storage/transport)	5 % ... 95 %

Standards and regulations

Protection class	III (IEC 61140, EN 61140, VDE 0140-1)
------------------	---------------------------------------

Mounting

Mounting type	Wall mounting
---------------	---------------

Digital module - AXL E EC DIO16 M12 6P

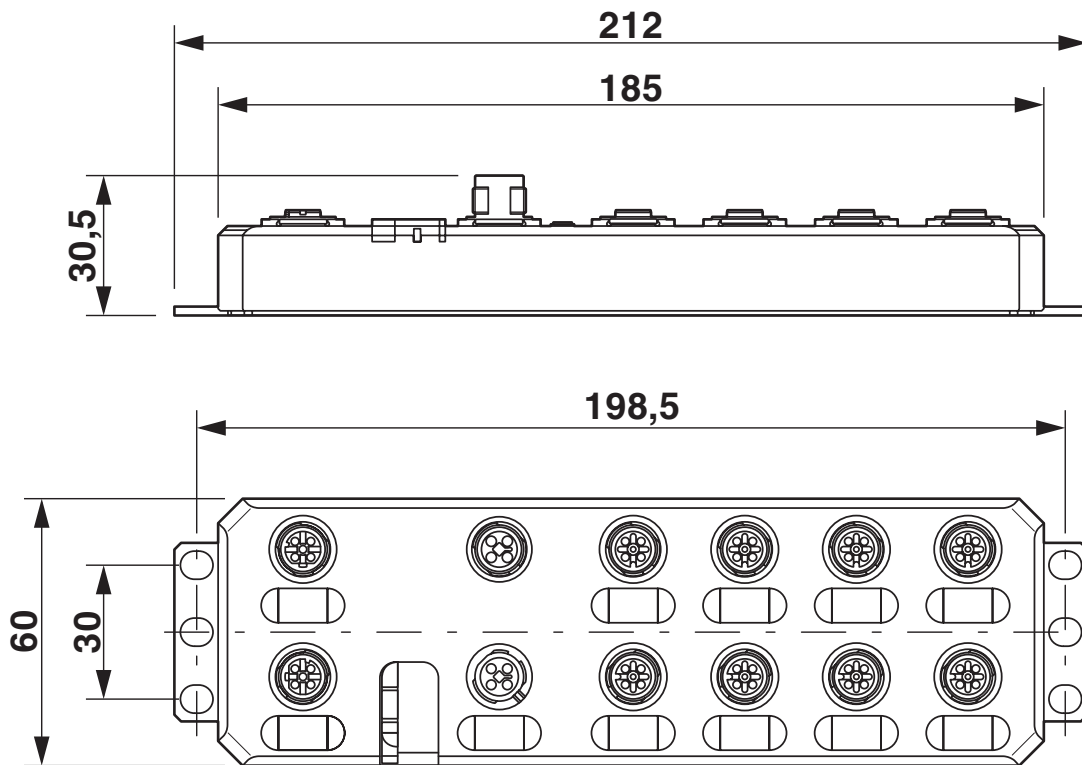


2701522

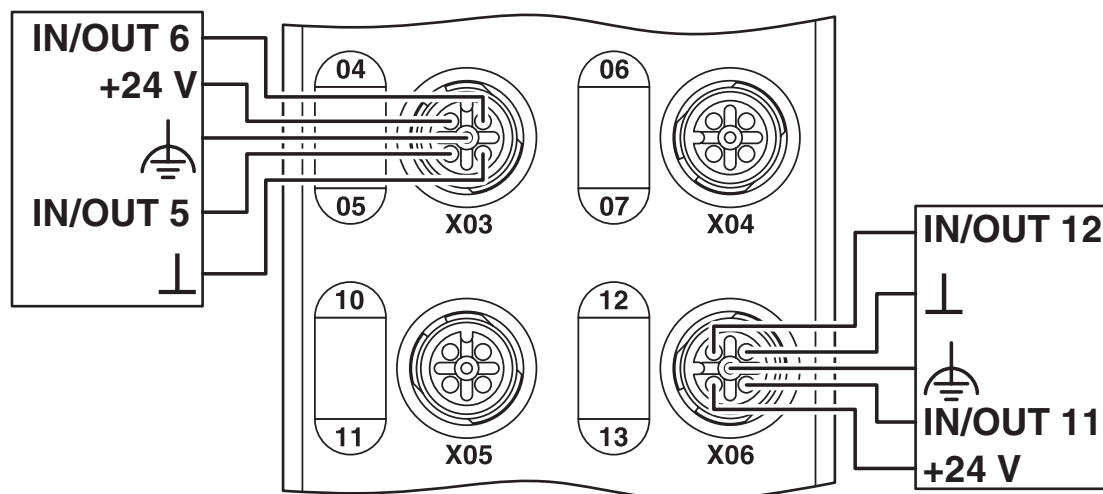
<https://www.phoenixcontact.com/pc/products/2701522>

Drawings

Dimensional drawing



Connection diagram



2701522

<https://www.phoenixcontact.com/pc/products/2701522>

Approvals



UL Listed

Approval ID: FILE E 140324



cUL Listed

Approval ID: FILE E 140324



EtherCAT

Approval ID: 0x84_001



cUL Listed

Approval ID: FILE E 199827



UL Listed

Approval ID: FILE E 199827

cULus Listed

cULus Listed

2701522

<https://www.phoenixcontact.com/pc/products/2701522>

Classifications

ECLASS

ECLASS-9.0	27242604
ECLASS-10.0.1	27242604
ECLASS-11.0	27242604

ETIM

ETIM 8.0	EC001599
----------	----------

UNSPSC

UNSPSC 21.0	32151600
-------------	----------

Digital module - AXL E EC DIO16 M12 6P



2701522

<https://www.phoenixcontact.com/pc/products/2701522>

Environmental Product Compliance

REACH SVHC	Lead 7439-92-1
China RoHS	Environmentally Friendly Use Period = 25; For information on hazardous substances, refer to the manufacturer's declaration available under "Downloads"

2701522

<https://www.phoenixcontact.com/pc/products/2701522>

Accessories

Screw plug

Screw plug - PROT-M12 - 1680539

<https://www.phoenixcontact.com/pc/products/1680539>



An M12 screw plug for the unoccupied M12 sockets of the sensor/actuator cable, boxes and flush-type connectors

Data connector

Data connector - SACC-M12MSD-4CON-PG 9-SH - 1521261

<https://www.phoenixcontact.com/pc/products/1521261>



Data connector, Ethernet/PROFINET CAT5 (100 Mbps), 4-position, shielded, Plug straight M12, D-coded, Screw connection, knurl material: Zinc die-cast, nickel-plated, cable gland Pg9, external cable diameter 6 mm ... 8 mm

Digital module - AXL E EC DIO16 M12 6P

2701522

<https://www.phoenixcontact.com/pc/products/2701522>

Snap-in markers

Snap-in markers - UCT-EM (7X10) - 0830765

<https://www.phoenixcontact.com/pc/products/0830765>

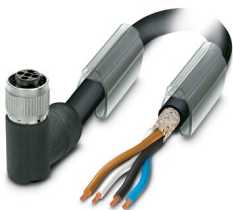


Snap-in markers, Sheet, white, unlabeled, can be labeled with: TOPMARK NEO, TOPMARK LASER, BLUEMARK ID COLOR, BLUEMARK ID, BLUEMARK CLED, THERMOMARK PRIME, THERMOMARK CARD 2.0, THERMOMARK CARD, mounting type: snapped, lettering field size: 7 x 10 mm, Number of individual labels: 30

Power cable

Power cable - SAC-4P- 1,5-PUR/M12FRT SH - 1424116

<https://www.phoenixcontact.com/pc/products/1424116>



Power cable, 4-position, PUR halogen-free, black RAL 9005, shielded (Advanced Shielding Technology), free cable end, on Socket angled M12, coding: T, cable length: 1.5 m, For direct current up to 12 A/63 V

Digital module - AXL E EC DIO16 M12 6P

2701522

<https://www.phoenixcontact.com/pc/products/2701522>

Power cable

Power cable - SAC-4P-M12MST/ 1,5-PUR SH - 1424120

<https://www.phoenixcontact.com/pc/products/1424120>



Power cable, 4-position, PUR halogen-free, black RAL 9005, shielded (Advanced Shielding Technology), Plug straight M12, coding: T, on free cable end, cable length: 1.5 m, For direct current up to 12 A/63 V

Network cable

Network cable - NBC-MSD SCO-PN/.../... - 1408640

<https://www.phoenixcontact.com/pc/products/1408640>



Network cable, PROFINET CAT5 (100 Mbps), EtherCAT[®] CAT5 (100 Mbps), 4-position, Variable cable type, shielded, Plug straight M12 SPEEDCON / IP67, coding: D, on free cable end, cable length: Free input (0.2 ... 40.0 m)

Digital module - AXL E EC DIO16 M12 6P

2701522

<https://www.phoenixcontact.com/pc/products/2701522>

Network cable

Network cable - NBC-MSD-FSD SCO-PN/.../... - 1408617

<https://www.phoenixcontact.com/pc/products/1408617>



Network cable, PROFINET CAT5 (100 Mbps), EtherCAT® CAT5 (100 Mbps), 4-position, Variable cable type, shielded, Plug straight M12 SPEEDCON / IP67, coding: D, on Socket straight M12 SPEEDCON / IP67, coding: D, cable length: Free input (0.2 ... 40.0 m)

Network cable

Network cable - NBC-MSD-MSD SCO-PN/.../... - 1408634

<https://www.phoenixcontact.com/pc/products/1408634>



Network cable, PROFINET CAT5 (100 Mbps), EtherCAT® CAT5 (100 Mbps), 4-position, Variable cable type, shielded, Plug straight M12 SPEEDCON / IP67, coding: D, on Plug straight M12 SPEEDCON / IP67, coding: D, cable length: Free input (0.2 ... 40.0 m)

Digital module - AXL E EC DIO16 M12 6P

2701522

<https://www.phoenixcontact.com/pc/products/2701522>

Network cable

Network cable - NBC-MSD-R4AC SCO-PN/.../... - 1408639

<https://www.phoenixcontact.com/pc/products/1408639>



Network cable, PROFINET CAT5 (100 Mbps), EtherCAT® CAT5 (100 Mbps), 4-position, Variable cable type, shielded, Plug straight M12 SPEEDCON / IP67, coding: D, on Plug straight RJ45 / IP20, cable length: Free input (0.2 ... 40.0 m)

Power cable

Power cable - SAC-4P-M12MST/ 1,0-PUR - 1408812

<https://www.phoenixcontact.com/pc/products/1408812>



Power cable, 4-position, PUR halogen-free, black-gray RAL 7021, Plug straight M12, coding: T, on free cable end, cable length: 1 m, For direct current up to 12 A/63 V

Digital module - AXL E EC DIO16 M12 6P

2701522

<https://www.phoenixcontact.com/pc/products/2701522>

Power cable

Power cable - SAC-4P-M12MST/ 2,0-PUR - 1408813

<https://www.phoenixcontact.com/pc/products/1408813>



Power cable, 4-position, PUR halogen-free, black-gray RAL 7021, Plug straight M12, coding: T, on free cable end, cable length: 2 m, For direct current up to 12 A/63 V

Power cable

Power cable - SAC-4P-M12MST/ 5,0-PUR - 1408814

<https://www.phoenixcontact.com/pc/products/1408814>



Power cable, 4-position, PUR halogen-free, black-gray RAL 7021, Plug straight M12, coding: T, on free cable end, cable length: 5 m, For direct current up to 12 A/63 V

Digital module - AXL E EC DIO16 M12 6P

2701522

<https://www.phoenixcontact.com/pc/products/2701522>

Power cable

Power cable - SAC-4P-M12MST/10,0-PUR - 1408815

<https://www.phoenixcontact.com/pc/products/1408815>



Power cable, 4-position, PUR halogen-free, black-gray RAL 7021, Plug straight M12, coding: T, on free cable end, cable length: 10 m, For direct current up to 12 A/63 V

Power cable

Power cable - SAC-4P-M12MRT/ 1,0-PUR - 1408816

<https://www.phoenixcontact.com/pc/products/1408816>



Power cable, 4-position, PUR halogen-free, black-gray RAL 7021, Plug angled M12, coding: T, on free cable end, cable length: 1 m, For direct current up to 12 A/63 V

Digital module - AXL E EC DIO16 M12 6P

2701522

<https://www.phoenixcontact.com/pc/products/2701522>

Power cable

Power cable - SAC-4P-M12MRT/ 2,0-PUR - 1408819

<https://www.phoenixcontact.com/pc/products/1408819>



Power cable, 4-position, PUR halogen-free, black-gray RAL 7021, Plug angled M12, coding: T, on free cable end, cable length: 2 m, For direct current up to 12 A/63 V

Power cable

Power cable - SAC-4P-M12MRT/ 5,0-PUR - 1408820

<https://www.phoenixcontact.com/pc/products/1408820>



Power cable, 4-position, PUR halogen-free, black-gray RAL 7021, Plug angled M12, coding: T, on free cable end, cable length: 5 m, For direct current up to 12 A/63 V

Digital module - AXL E EC DIO16 M12 6P

2701522

<https://www.phoenixcontact.com/pc/products/2701522>

Power cable

Power cable - SAC-4P-M12MRT/10,0-PUR - 1408822

<https://www.phoenixcontact.com/pc/products/1408822>



Power cable, 4-position, PUR halogen-free, black-gray RAL 7021, Plug angled M12, coding: T, on free cable end, cable length: 10 m, For direct current up to 12 A/63 V

Power cable

Power cable - SAC-4P- 1,0-PUR/M12FST - 1408823

<https://www.phoenixcontact.com/pc/products/1408823>



Power cable, 4-position, PUR halogen-free, black-gray RAL 7021, free cable end, on Socket straight M12, coding: T, cable length: 1 m, For direct current up to 12 A/63 V

Digital module - AXL E EC DIO16 M12 6P

2701522

<https://www.phoenixcontact.com/pc/products/2701522>

Power cable

Power cable - SAC-4P- 2,0-PUR/M12FST - 1408824

<https://www.phoenixcontact.com/pc/products/1408824>



Power cable, 4-position, PUR halogen-free, black-gray RAL 7021, free cable end, on Socket straight M12, coding: T, cable length: 2 m, For direct current up to 12 A/63 V

Power cable

Power cable - SAC-4P- 5,0-PUR/M12FST - 1408825

<https://www.phoenixcontact.com/pc/products/1408825>



Power cable, 4-position, PUR halogen-free, black-gray RAL 7021, free cable end, on Socket straight M12, coding: T, cable length: 5 m, For direct current up to 12 A/63 V

Digital module - AXL E EC DIO16 M12 6P

2701522

<https://www.phoenixcontact.com/pc/products/2701522>

Power cable

Power cable - SAC-4P-10,0-PUR/M12FST - 1408826

<https://www.phoenixcontact.com/pc/products/1408826>



Power cable, 4-position, PUR halogen-free, black-gray RAL 7021, free cable end, on Socket straight M12, coding: T, cable length: 10 m, For direct current up to 12 A/63 V

Power cable

Power cable - SAC-4P- 1,0-PUR/M12FRT - 1408827

<https://www.phoenixcontact.com/pc/products/1408827>



Power cable, 4-position, PUR halogen-free, black-gray RAL 7021, free cable end, on Socket angled M12, coding: T, cable length: 1 m, For direct current up to 12 A/63 V

Digital module - AXL E EC DIO16 M12 6P

2701522

<https://www.phoenixcontact.com/pc/products/2701522>

Power cable

Power cable - SAC-4P- 2,0-PUR/M12FRT - 1408828

<https://www.phoenixcontact.com/pc/products/1408828>



Power cable, 4-position, PUR halogen-free, black-gray RAL 7021, free cable end, on Socket angled M12, coding: T, cable length: 2 m, For direct current up to 12 A/63 V

Power cable

Power cable - SAC-4P- 5,0-PUR/M12FRT - 1408829

<https://www.phoenixcontact.com/pc/products/1408829>



Power cable, 4-position, PUR halogen-free, black-gray RAL 7021, free cable end, on Socket angled M12, coding: T, cable length: 5 m, For direct current up to 12 A/63 V

Digital module - AXL E EC DIO16 M12 6P

2701522

<https://www.phoenixcontact.com/pc/products/2701522>

Power cable

Power cable - SAC-4P-10,0-PUR/M12FRT - 1408830

<https://www.phoenixcontact.com/pc/products/1408830>



Power cable, 4-position, PUR halogen-free, black-gray RAL 7021, free cable end, on Socket angled M12, coding: T, cable length: 10 m, For direct current up to 12 A/63 V

Power cable

Power cable - SAC-4P-M12MST/ 0,3-PUR/M12FST - 1408806

<https://www.phoenixcontact.com/pc/products/1408806>



Power cable, 4-position, PUR halogen-free, black-gray RAL 7021, Plug straight M12, coding: T, on Socket straight M12, coding: T, cable length: 0.3 m, For direct current up to 12 A/63 V

Digital module - AXL E EC DIO16 M12 6P

2701522

<https://www.phoenixcontact.com/pc/products/2701522>

Power cable

Power cable - SAC-4P-M12MST/ 0,6-PUR/M12FST - 1408807

<https://www.phoenixcontact.com/pc/products/1408807>



Power cable, 4-position, PUR halogen-free, black-gray RAL 7021, Plug straight M12, coding: T, on Socket straight M12, coding: T, cable length: 0.6 m, For direct current up to 12 A/63 V

Power cable

Power cable - SAC-4P-M12MST/ 1,0-PUR/M12FST - 1408808

<https://www.phoenixcontact.com/pc/products/1408808>



Power cable, 4-position, PUR halogen-free, black-gray RAL 7021, Plug straight M12, coding: T, on Socket straight M12, coding: T, cable length: 1 m, For direct current up to 12 A/63 V

Digital module - AXL E EC DIO16 M12 6P

2701522

<https://www.phoenixcontact.com/pc/products/2701522>

Power cable

Power cable - SAC-4P-M12MST/ 2,0-PUR/M12FST - 1408809

<https://www.phoenixcontact.com/pc/products/1408809>



Power cable, 4-position, PUR halogen-free, black-gray RAL 7021, Plug straight M12, coding: T, on Socket straight M12, coding: T, cable length: 2 m, For direct current up to 12 A/63 V

Power cable

Power cable - SAC-4P-M12MST/ 5,0-PUR/M12FST - 1408810

<https://www.phoenixcontact.com/pc/products/1408810>



Power cable, 4-position, PUR halogen-free, black-gray RAL 7021, Plug straight M12, coding: T, on Socket straight M12, coding: T, cable length: 5 m, For direct current up to 12 A/63 V

Digital module - AXL E EC DIO16 M12 6P

2701522

<https://www.phoenixcontact.com/pc/products/2701522>

Power cable

Power cable - SAC-4P-M12MST/10,0-PUR/M12FST - 1408811

<https://www.phoenixcontact.com/pc/products/1408811>



Power cable, 4-position, PUR halogen-free, black-gray RAL 7021, Plug straight M12, coding: T, on Socket straight M12, coding: T, cable length: 10 m, For direct current up to 12 A/63 V

Sensor/actuator cable

Sensor/actuator cable - SAC-3P-M12MS/.../... - 1696662

<https://www.phoenixcontact.com/pc/products/1696662>



Sensor/actuator cable, 3-position, Variable cable type, Plug straight M12, coding: A, on free cable end, cable length: Free input (0.2 ... 40.0 m)

Digital module - AXL E EC DIO16 M12 6P

2701522

<https://www.phoenixcontact.com/pc/products/2701522>

Sensor/actuator cable

Sensor/actuator cable - SAC-3P-M12MR/.../... - 1696675

<https://www.phoenixcontact.com/pc/products/1696675>



Sensor/actuator cable, 3-position, Variable cable type, Plug angled M12, coding: A, on free cable end, cable length: Free input (0.2 ... 40.0 m)

Sensor/actuator cable

Sensor/actuator cable - SAC-3P-M12MS-M12FS/.../... - 1696756

<https://www.phoenixcontact.com/pc/products/1696756>



Sensor/actuator cable, 3-position, Variable cable type, Plug straight M12, coding: A, on Socket straight M12, coding: A, cable length: Free input (0.2 ... 40.0 m)

Digital module - AXL E EC DIO16 M12 6P

2701522

<https://www.phoenixcontact.com/pc/products/2701522>

Sensor/actuator cable

Sensor/actuator cable - SAC-3P-M12MR-M12FS/.../... - 1513428

<https://www.phoenixcontact.com/pc/products/1513428>



Sensor/actuator cable, 3-position, Variable cable type, Plug angled M12, coding: A, on Socket straight M12, coding: A, cable length: Free input (0.2 ... 40.0 m)

Sensor/actuator cable

Sensor/actuator cable - SAC-3P-M12MR-M12FR/.../... - 1513318

<https://www.phoenixcontact.com/pc/products/1513318>



Sensor/actuator cable, 3-position, Variable cable type, Plug angled M12, coding: A, on Socket angled M12, coding: A, cable length: Free input (0.2 ... 40.0 m)

Digital module - AXL E EC DIO16 M12 6P

2701522

<https://www.phoenixcontact.com/pc/products/2701522>

Sensor/actuator cable

Sensor/actuator cable - SAC-4P-MS SCO/.../... - 1523560

<https://www.phoenixcontact.com/pc/products/1523560>



Sensor/actuator cable, 4-position, Variable cable type, Plug straight M12 SPEEDCON, coding: A, on free cable end, cable length: Free input (0.2 ... 40.0 m)

Sensor/actuator cable

Sensor/actuator cable - SAC-4P-MR SCO/.../... - 1523573

<https://www.phoenixcontact.com/pc/products/1523573>



Sensor/actuator cable, 4-position, Variable cable type, Plug angled M12 SPEEDCON, coding: A, on free cable end, cable length: Free input (0.2 ... 40.0 m)

Digital module - AXL E EC DIO16 M12 6P

2701522

<https://www.phoenixcontact.com/pc/products/2701522>

Sensor/actuator cable

Sensor/actuator cable - SAC-4P-MS-FS SCO/.../... - 1523586

<https://www.phoenixcontact.com/pc/products/1523586>



Sensor/actuator cable, 4-position, Variable cable type, Plug straight M12 SPEEDCON, coding: A, on Socket straight M12 SPEEDCON, coding: A, cable length: Free input (0.2 ... 40.0 m)

Sensor/actuator cable

Sensor/actuator cable - SAC-4P-M12MR-M12FS/.../... - 1697030

<https://www.phoenixcontact.com/pc/products/1697030>



Sensor/actuator cable, 4-position, Variable cable type, Plug angled M12, coding: A, on Socket straight M12, coding: A, cable length: Free input (0.2 ... 40.0 m)

Digital module - AXL E EC DIO16 M12 6P

2701522

<https://www.phoenixcontact.com/pc/products/2701522>

Sensor/actuator cable

Sensor/actuator cable - SAC-4P-M12MR-M12FR/.../... - 1697043

<https://www.phoenixcontact.com/pc/products/1697043>



Sensor/actuator cable, 4-position, Variable cable type, Plug angled M12, coding: A, on Socket angled M12, coding: A, cable length: Free input (0.2 ... 40.0 m)

Sensor/actuator cable

Sensor/actuator cable - SAC-5P-M12MS/.../... - 1697098

<https://www.phoenixcontact.com/pc/products/1697098>



Sensor/actuator cable, 5-position, Variable cable type, Plug straight M12, coding: A, on free cable end, cable length: Free input (0.2 ... 40.0 m)

Digital module - AXL E EC DIO16 M12 6P

2701522

<https://www.phoenixcontact.com/pc/products/2701522>

Sensor/actuator cable

Sensor/actuator cable - SAC-5P-M12MR/.../... - 1697108

<https://www.phoenixcontact.com/pc/products/1697108>



Sensor/actuator cable, 5-position, Variable cable type, Plug angled M12, coding: A, on free cable end, cable length: Free input (0.2 ... 40.0 m)

Sensor/actuator cable

Sensor/actuator cable - SAC-5P-MS-FS SCO/.../... - 1523625

<https://www.phoenixcontact.com/pc/products/1523625>



Sensor/actuator cable, 5-position, Variable cable type, Plug straight M12 SPEEDCON, coding: A, on Socket straight M12 SPEEDCON, coding: A, cable length: Free input (0.2 ... 40.0 m)

Digital module - AXL E EC DIO16 M12 6P

2701522

<https://www.phoenixcontact.com/pc/products/2701522>

Sensor/actuator cable

Sensor/actuator cable - SAC-5P-M12MR-M12FS/.../... - 1508734

<https://www.phoenixcontact.com/pc/products/1508734>



Sensor/actuator cable, 5-position, Variable cable type, Plug angled M12, coding: A, on Socket straight M12, coding: A, cable length: Free input (0.2 ... 40.0 m)

Sensor/actuator cable

Sensor/actuator cable - SAC-5P-M12MR-M12FR/.../... - 1529506

<https://www.phoenixcontact.com/pc/products/1529506>



Sensor/actuator cable, 5-position, Variable cable type, Plug angled M12, coding: A, on Socket angled M12, coding: A, cable length: Free input (0.2 ... 40.0 m)

Digital module - AXL E EC DIO16 M12 6P

2701522

<https://www.phoenixcontact.com/pc/products/2701522>

Y distributor

Y distributor - SAC-3P-Y/2XM 8FS SCO - 1523984

<https://www.phoenixcontact.com/pc/products/1523984>



Y distributor, 4-position, Plug straight M12 SPEEDCON, coding: A, on Socket straight M8, coding: A and Socket straight M8, coding: A

Y distributor

Y distributor - SAC-3P-Y/2XFS PE SCO - 1523971

<https://www.phoenixcontact.com/pc/products/1523971>



Y distributor, 4-position, Plug straight M12 SPEEDCON, coding: A, on Socket straight M12 SPEEDCON, coding: A and Socket straight M12 SPEEDCON, coding: A

Digital module - AXL E EC DIO16 M12 6P



2701522

<https://www.phoenixcontact.com/pc/products/2701522>

Y distributor

Y distributor - SAC-3P-Y/2XFS B PE SCO - 1523968

<https://www.phoenixcontact.com/pc/products/1523968>



Y distributor, 4-position, Plug straight M12 SPEEDCON, coding: A, on Socket straight M12 SPEEDCON, coding: A, PIN 2+4 bridged and Socket straight M12 SPEEDCON, coding: A, PIN 2+4 bridged, Thread M12 socket not rotatable

Y distributor

Y distributor - SAC-5P-Y/2XFS VP SCO - 1546068

<https://www.phoenixcontact.com/pc/products/1546068>



Y distributor, 5-position, Plug straight M12 SPEEDCON, coding: A, on Socket straight M12 SPEEDCON, coding: A and Socket straight M12 SPEEDCON, coding: A, Parallel distributor, Thread M12 socket not rotatable

Phoenix Contact 2022 © - all rights reserved
<https://www.phoenixcontact.com>

PHOENIX CONTACT GmbH & Co. KG
Flachsmarktstraße 8
D-32825 Blomberg
+49 (0) 5235-3 00
info@phoenixcontact.com