

Digital module - AXL F DI8/3 DO8/3 2H



2702071

<https://www.phoenixcontact.com/pc/products/2702071>

Please be informed that the data shown in this PDF document is generated from our Online Catalog. Please find the complete data in the user documentation. Our General Terms of Use for Downloads are valid.



Axioline F, Digital I/O module, Digital inputs: 8, 24 V DC, connection technology: 3-conductor, Digital outputs: 8, 24 V DC, 500 mA, connection technology: 3-conductor, transmission speed in the local bus: 100 Mbps, degree of protection: IP20, including bus base module and Axioline F connectors

Product Description

The module is designed for use within an Axioline F station. It is used to acquire and output digital signals. The filter times of the inputs can be adjusted to increase noise immunity. Filter times of 100 μ s enable the user to implement a counting function with a maximum input frequency of 5 kHz in the application. The outputs are protected against short circuit and overload.

Your advantages

- 8 digital inputs in accordance with EN 61131-2 type 1 and type 3
- 24 V DC, 2.4 mA
- Connection of sensors in 2- and 3-conductor technology
- Filter times can be adjusted in three increments: < 100 μ s, 1000 μ s or 3000 μ s
- Maximum input frequency: 5 kHz
- 8 digital outputs
- 24 V DC, 500 mA
- Connection of actuators in 2- and 3-conductor technology
- Minimum update time of < 100 μ s
- Device rating plate stored

Commercial Data

Item number	2702071
Packing unit	1 pc
Minimum order quantity	1 pc
Product Key	DRI233
Catalog Page	Page 81 (C-6-2019)
GTIN	4046356933094
Weight per Piece (including packing)	214.5 g
Weight per Piece (excluding packing)	159 g
Customs tariff number	85389091
Country of origin	DE

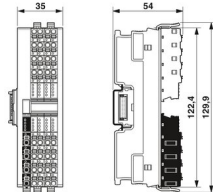
Digital module - AXL F DI8/3 DO8/3 2H

2702071

<https://www.phoenixcontact.com/pc/products/2702071>

Technical Data

Dimensions

Dimensional drawing	
Width	35 mm
Height	129.9 mm
Depth	54 mm
Note on dimensions	The depth applies when a TH 35-7.5 DIN rail is used (in accordance with EN 60715).

Material specifications

Color	traffic grey A RAL 7042
-------	-------------------------

Interfaces

Axioline F local bus

Number of interfaces	2
Connection method	Bus base module
Transmission speed	100 Mbps

System properties

Module

ID code (hex)	none
Input address area	1 Byte
Output address area	1 Byte
Required parameter data	3 Byte
Required configuration data	7 Byte

Input data

Digital

Input name	Digital inputs
Description of the input	EN 61131-2 types 1 and 3
Number of inputs	8
Connection method	Push-in connection
Connection technology	3-conductor
Input voltage range "0" signal	-3 V DC ... 5 V DC
Input voltage range "1" signal	11 V DC ... 30 V DC
Nominal input voltage U_{IN}	24 V DC

Digital module - AXL F DI8/3 DO8/3 2H



2702071

<https://www.phoenixcontact.com/pc/products/2702071>

Nominal input current at U_{IN}	2.4 mA
Input filter time	3000 μ s (Default)
	1000 μ s
	< 100 μ s
Protective circuit	Polarity reversal protection of the inputs; parallel diode (30 V, 5 s)

Output data

Digital

Output name	Digital outputs
Connection method	Push-in connection
Connection technology	3-conductor
Number of outputs	8
Protective circuit	Short-circuit protection, overload protection of the outputs; electronic
Output voltage	24 V DC
Maximum output current per module	8 A (provide external protection)
Nominal output voltage	24 V DC
Output voltage when switched off	max. 1 V
Output current when switched off	max. 300 μ A
Nominal load, inductive	max. 12 VA (1.2 H, 48 Ω , with nominal voltage)
Nominal load, lamp	max. 12 W (at nominal voltage)
Nominal load, ohmic	max. 12 W (48 Ω , with nominal voltage)
Switching frequency	max. 10000 per second (with at least 50 mA load current)
	max. 1 per second (with inductive load)
	max. 16 per second (with nominal lamp load)
Reverse voltage resistance to short pulses	limited protection up to 0.5 A for 1 s
Behavior with overload	Shutdown with automatic restart
Behavior with inductive overload	Output can be destroyed

Product properties

Type	block modular
Product type	I/O component
Mounting position	any (no temperature derating)
Scope of delivery	including bus base module and Axioline F connectors

Insulation characteristics

Overvoltage category	II (IEC 60664-1, EN 60664-1)
Pollution degree	2 (IEC 60664-1, EN 60664-1)

Electrical properties

Potentials: Axioline F local bus supply (U_{BUS})

Supply voltage	5 V DC (via bus base module)
Current draw	max. 120 mA (up to HW 01)
	max. 60 mA (from HW 02)

Digital module - AXL F DI8/3 DO8/3 2H



2702071

<https://www.phoenixcontact.com/pc/products/2702071>

Power consumption	max. 600 mW (up to HW 01)
	max. 300 mW (from HW 02)

Potentials: Supply for digital input and output modules (U_{IO})

Supply voltage	24 V DC
Supply voltage range	19.2 V DC ... 30 V DC (including all tolerances, including ripple)
Current draw	max. 6 A (provide external protection)
Power consumption	max. 180 W (of which 1.24 W internal losses)
Protective circuit	Surge protection; electronic (35 V, 0.5 s)
	Reverse polarity protection; parallel diode; with external 5 A fuse (only for commissioning)

Supply: Sensor supply (U_S)

Designation	Sensor supply (U_S)
Supply voltage	24 V DC (from U_{IO})

Connection data

Connection technology

Connection name	Axioline F connector
Note on the connection method	Please observe the information provided on conductor cross sections in the "Axioline F: system and installation" user manual.

Conductor connection

Connection method	Push-in connection
Conductor cross section solid	0.2 mm ² ... 1.5 mm ²
Conductor cross section flexible	0.2 mm ² ... 1.5 mm ²
Conductor cross section AWG	24 ... 16
Stripping length	8 mm

Axioline F connector

Connection method	Push-in connection
Note on the connection method	Please observe the information provided on conductor cross sections in the "Axioline F: system and installation" user manual.
Conductor cross section, rigid	0.2 mm ² ... 1.5 mm ²
Conductor cross section, flexible	0.2 mm ² ... 1.5 mm ²
Conductor cross section AWG	24 ... 16
Stripping length	8 mm

Ambient conditions

Ambient temperature (operation)	-25 °C ... 60 °C
Degree of protection	IP20
Air pressure (operation)	70 kPa ... 106 kPa (up to 3000 m above sea level)
Air pressure (storage/transport)	70 kPa ... 106 kPa (up to 3000 m above sea level)
Ambient temperature (storage/transport)	-40 °C ... 85 °C
Permissible humidity (operation)	5 % ... 95 % (non-condensing)
Permissible humidity (storage/transport)	5 % ... 95 % (non-condensing)

Digital module - AXL F DI8/3 DO8/3 2H



2702071

<https://www.phoenixcontact.com/pc/products/2702071>

Standards and regulations

Protection class	III (IEC 61140, EN 61140, VDE 0140-1)
------------------	---------------------------------------

Mounting

Mounting type	DIN rail mounting
Mounting position	any (no temperature derating)

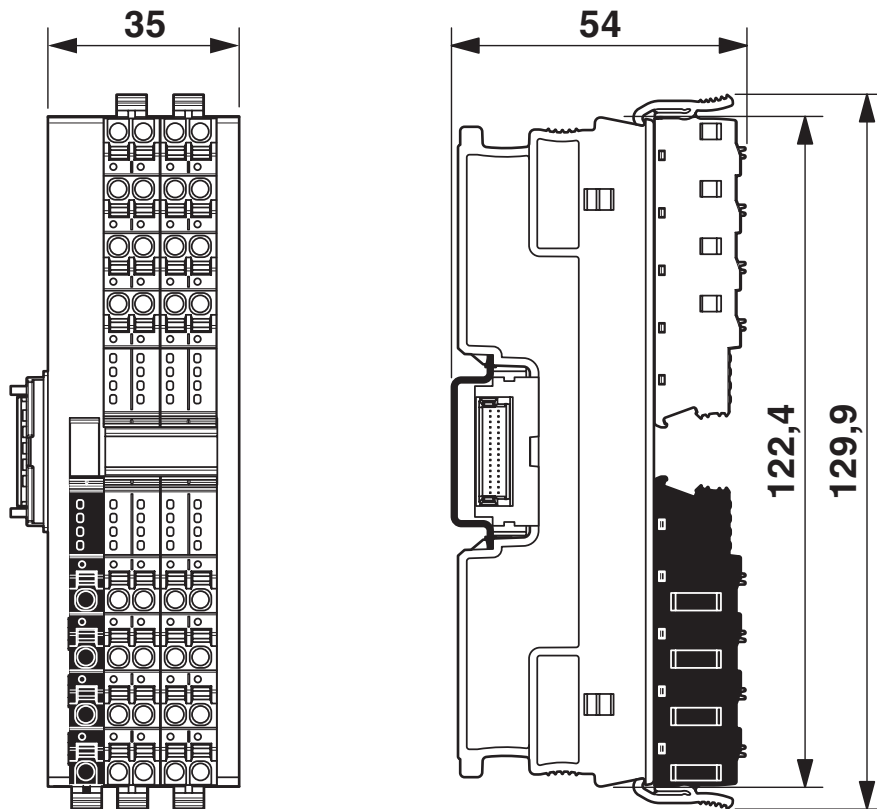
Digital module - AXL F DI8/3 DO8/3 2H

2702071

<https://www.phoenixcontact.com/pc/products/2702071>

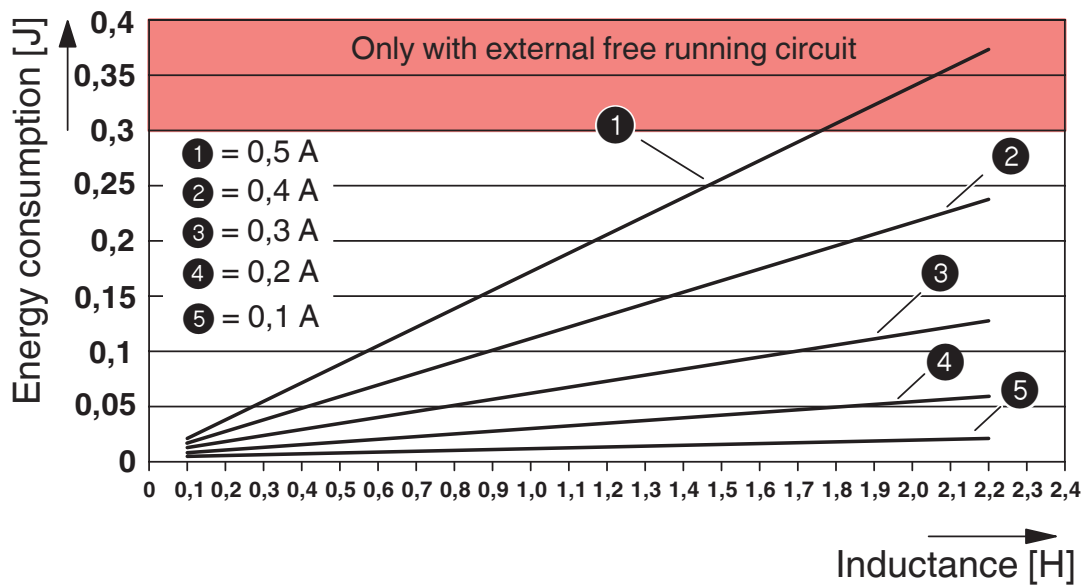
Drawings

Dimensional drawing



Dimensions (in mm)

Diagram



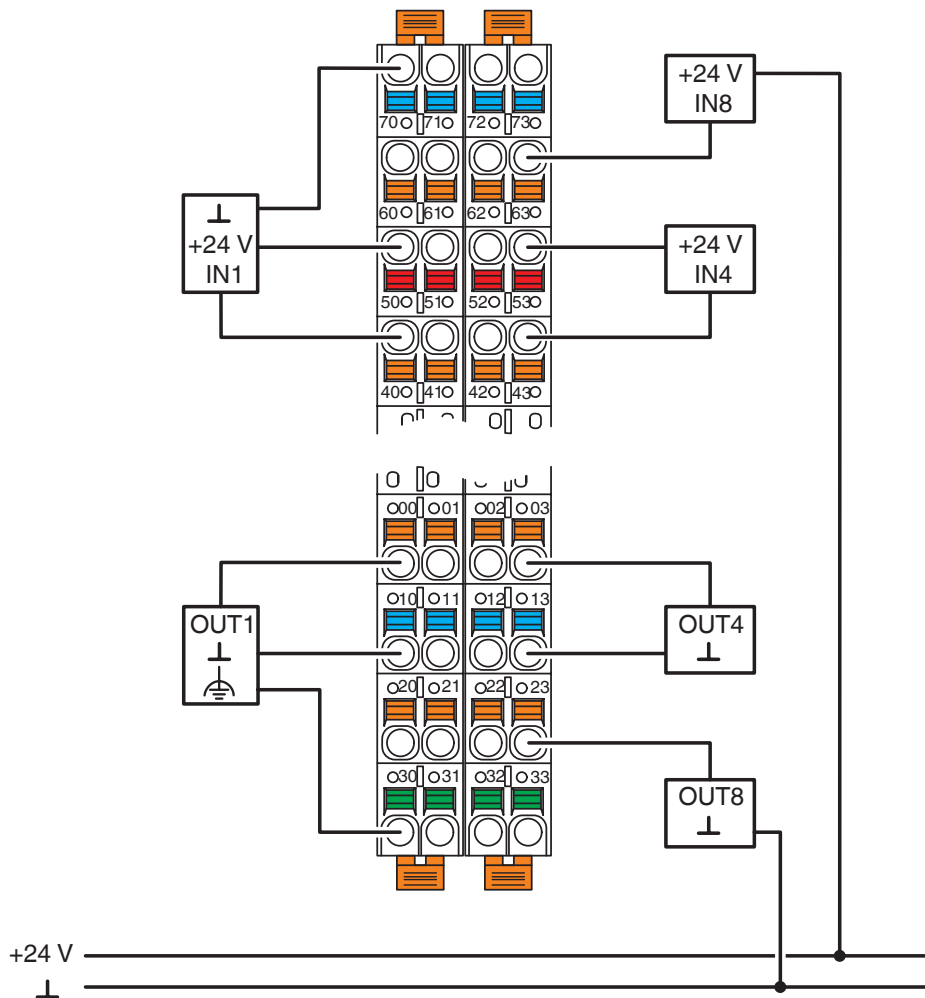
Maximum outputs power consumption when inductive loads are switched off

Digital module - AXL F DI8/3 DO8/3 2H

2702071

<https://www.phoenixcontact.com/pc/products/2702071>

Connection diagram



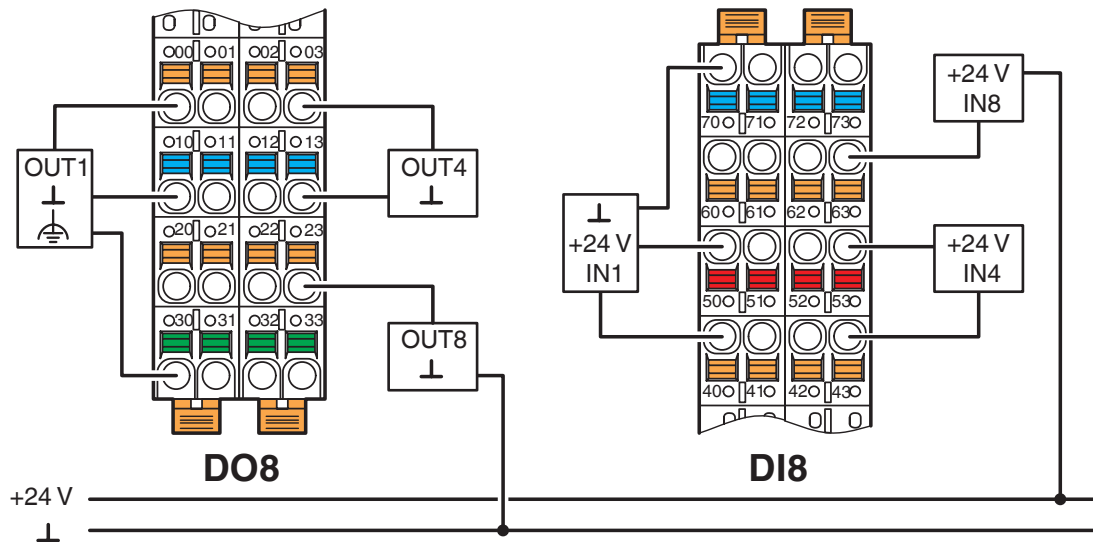
Example of connection of sensors and actuators

Digital module - AXL F DI8/3 DO8/3 2H

2702071

<https://www.phoenixcontact.com/pc/products/2702071>

Connection diagram



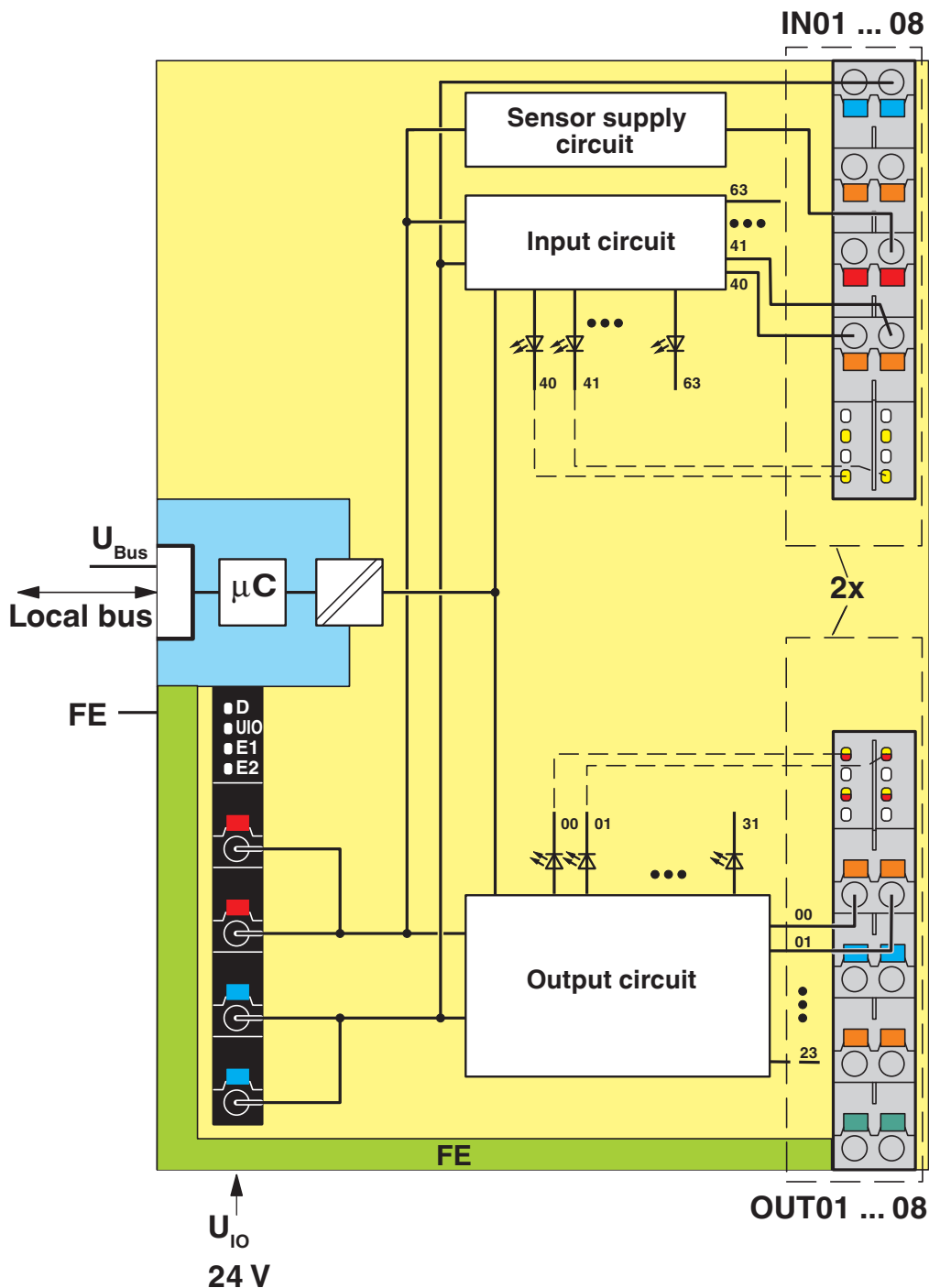
Connection example

Digital module - AXL F DI8/3 DO8/3 2H

2702071

<https://www.phoenixcontact.com/pc/products/2702071>

Block diagram



Internal wiring of the terminal points

Digital module - AXL F DI8/3 DO8/3 2H



2702071

<https://www.phoenixcontact.com/pc/products/2702071>

Approvals



cULus Listed

Approval ID: FILE E 238705



cULus Listed

Approval ID: FILE E 238705

Digital module - AXL F DI8/3 DO8/3 2H



2702071

<https://www.phoenixcontact.com/pc/products/2702071>

Classifications

ECLASS

ECLASS-9.0	27242604
ECLASS-10.0.1	27242604
ECLASS-11.0	27242604

ETIM

ETIM 8.0	EC001599
----------	----------

UNSPSC

UNSPSC 21.0	32151600
-------------	----------

Digital module - AXL F DI8/3 DO8/3 2H



2702071

<https://www.phoenixcontact.com/pc/products/2702071>

Environmental Product Compliance

REACH SVHC	Lead 7439-92-1
China RoHS	Environmentally Friendly Use Period = 50 years
	For information on hazardous substances, refer to the manufacturer's declaration available under "Downloads"

Digital module - AXL F DI8/3 DO8/3 2H

2702071

<https://www.phoenixcontact.com/pc/products/2702071>

Accessories

Bus connector

Bus connector - AXL F BS H - 2700992

<https://www.phoenixcontact.com/pc/products/2700992>

Axioline F bus base module for housing type H



Zack marker strip

Zack marker strip - ZB 20,3 AXL UNPRINTED - 0829579

<https://www.phoenixcontact.com/pc/products/0829579>



Zack marker strip for Axioline F (device labeling), in 2 x 20.3 mm pitch, unprinted, 25-section, for individual labeling with B-STIFT 0.8, X-PEN, or CMS-P1-PLOTTER

Digital module - AXL F DI8/3 DO8/3 2H



2702071

<https://www.phoenixcontact.com/pc/products/2702071>

Zack Marker strip, flat

Zack Marker strip, flat - ZBF 10/5,8 AXL UNPRINTED - 0829580

<https://www.phoenixcontact.com/pc/products/0829580>



Zack Marker strip, flat, Strip, white, unlabeled, can be labeled with: PLOTMARK, CMS-P1-PLOTTER, mounting type: snapped, for terminal block width: 10.15 mm, lettering field size: 4 of 10.15 x 5 mm and 1 of 5.8 x 5 mm, Number of individual labels: 50

Phoenix Contact 2022 © - all rights reserved

<https://www.phoenixcontact.com>

PHOENIX CONTACT GmbH & Co. KG

Flachsmarktstraße 8

D-32825 Blomberg

+49 (0) 5235-3 00

info@phoenixcontact.com