

Analog module - IB IL AO 4/U/0-10-ECO



2702498

<https://www.phoenixcontact.com/pc/products/2702498>

Please be informed that the data shown in this PDF document is generated from our Online Catalog. Please find the complete data in the user documentation. Our General Terms of Use for Downloads are valid.



Inline, Analog output terminal, Analog outputs: 4, 0 V ... 10 V, connection technology: 2-conductor, transmission speed in the local bus: 500 kbps, degree of protection: IP20, including Inline connector

Product Description

The terminal is designed for use within an Inline station. It is used to output analog voltage signals. The output values are depicted in standardized representation format. Inline ECO terminals are approved for the temperature range from 0°C to +55°C. The electronics base and Inline connector are supplied as standard.

Your advantages

- 4 analog output channels
- Connection of actuators in 2-conductor technology
- Voltage range: 0 V ... 10 V
- Data format: standardized representation
- Resolution: 12 bits
- Diagnostic indicator

Commercial Data

Item number	2702498
Packing unit	1 pc
Minimum order quantity	1 pc
Product Key	DRI142
Catalog Page	Page 118 (C-6-2019)
GTIN	4055626204475
Weight per Piece (including packing)	83.5 g
Weight per Piece (excluding packing)	62.5 g
Customs tariff number	85389099
Country of origin	DE

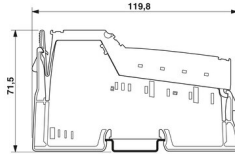
Analog module - IB IL AO 4/U/0-10-ECO

2702498

<https://www.phoenixcontact.com/pc/products/2702498>

Technical Data

Dimensions

Dimensional drawing	
Width	12.2 mm
Height	119.8 mm
Depth	71.5 mm

Material specifications

Color	green
-------	-------

Interfaces

Inline local bus

Number of interfaces	2
Connection method	Inline data jumper
Transmission speed	500 kbps

System properties

Module

ID code (dec.)	125
ID code (hex)	7D
Length code (hex)	04
Length code (dec)	04
Process data channel	64 Bit
Input address area	0 Byte
Output address area	8 Byte
Register length	64 Bit
Required parameter data	1 Byte
Required configuration data	4 Byte

Output data

Analog

Output name	Analog outputs
Connection technology	2-conductor
Note regarding the connection technology	shielded, twisted pair
Number of outputs	4

Analog module - IB IL AO 4/U/0-10-ECO



2702498

<https://www.phoenixcontact.com/pc/products/2702498>

D/A converter resolution	12 bit
Protective circuit	Short-circuit and overload protection; Electronic
	Transient protection; Suppressor diode
Data formats	Standardized representation
Representation of output values	16 bits
Process data update	< 10 ms
Voltage output signal	0 V ... 10 V
Load/output load voltage output	> 2 kΩ

Product properties

Type	modular
Product type	I/O component
Scope of delivery	including Inline connector
Diagnostics messages	Failure of the internal I/O supply I/O error message sent to the bus coupler
	Checksum error I/O error message sent to the bus coupler

Electrical properties

Potentials

Power consumption	typ. 1.3 W
	max. 1.4 W

Potentials: Communications power (U_L)

Supply voltage	7.5 V DC (via voltage jumper)
Current draw	max. 70 mA
	typ. 60 mA

Potentials: Supply of analog modules (U_{ANA})

Supply voltage	24 V DC (via voltage jumper)
Supply voltage range	19.2 V DC ... 30 V DC (including all tolerances, including ripple)
Current draw	max. 45 mA
	typ. 35 mA

Connection data

Connection technology

Connection name	Inline connector
-----------------	------------------

Conductor connection

Connection method	Spring-cage connection
Conductor cross section solid	0.08 mm ² ... 1.5 mm ²
Conductor cross section flexible	0.08 mm ² ... 1.5 mm ²
Conductor cross section AWG	28 ... 16
Stripping length	8 mm

Inline connector

Analog module - IB IL AO 4/U/0-10-ECO



2702498

<https://www.phoenixcontact.com/pc/products/2702498>

Connection method	Spring-cage connection
Conductor cross section, rigid	0.08 mm ² ... 1.5 mm ²
Conductor cross section, flexible	0.08 mm ² ... 1.5 mm ²
Conductor cross section AWG	28 ... 16
Stripping length	8 mm

Ambient conditions

Ambient temperature (operation)	0 °C ... 55 °C (see "Derating" table in the data sheet)
Degree of protection	IP20
Air pressure (operation)	70 kPa ... 106 kPa (up to 3000 m above sea level)
Air pressure (storage/transport)	70 kPa ... 106 kPa (up to 3000 m above sea level)
Ambient temperature (storage/transport)	-25 °C ... 85 °C
Permissible humidity (operation)	10 % ... 95 % (according to DIN EN 61131-2)
Permissible humidity (storage/transport)	10 % ... 95 % (according to DIN EN 61131-2)

Standards and regulations

Protection class	III (IEC 61140, EN 61140, VDE 0140-1)
------------------	---------------------------------------

Mounting

Mounting type	DIN rail mounting
---------------	-------------------

Analog module - IB IL AO 4/U/0-10-ECO

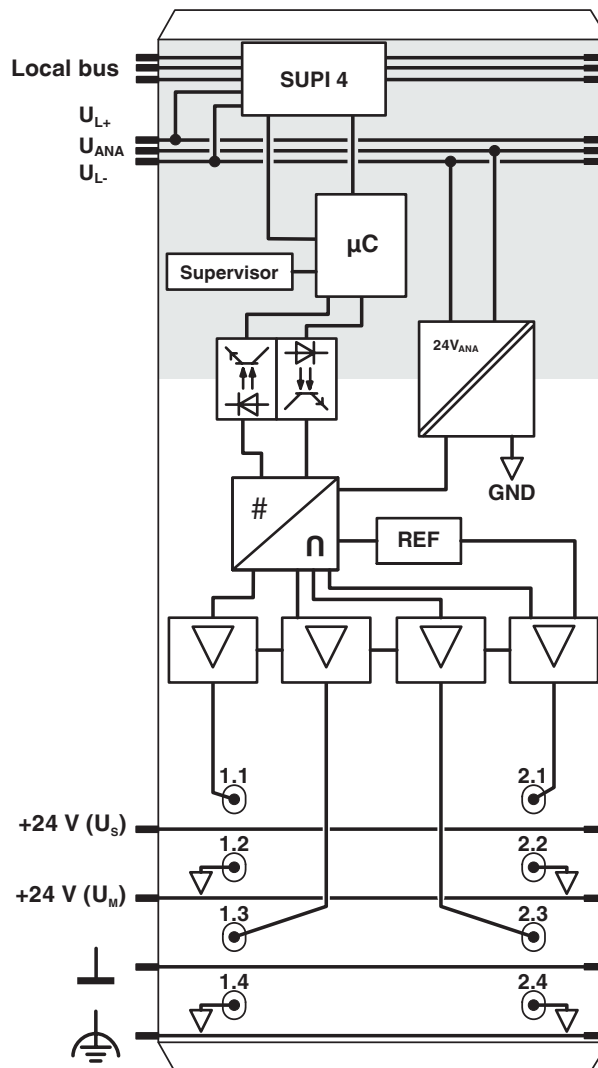
2702498

<https://www.phoenixcontact.com/pc/products/2702498>



Drawings

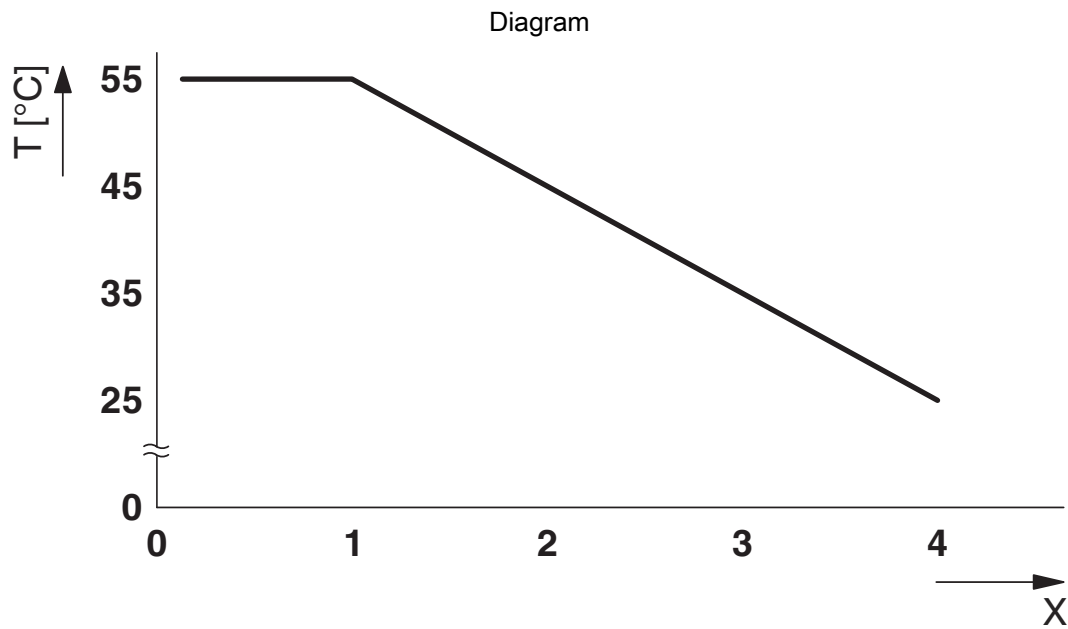
Block diagram



Internal wiring of the terminal points

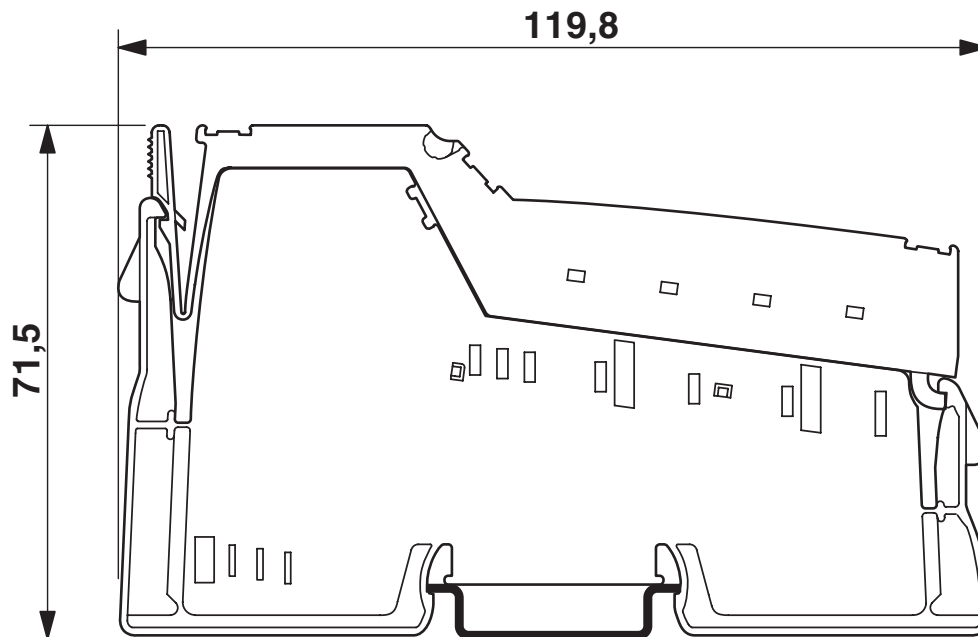
2702498

<https://www.phoenixcontact.com/pc/products/2702498>



Derating without active convection

Dimensional drawing



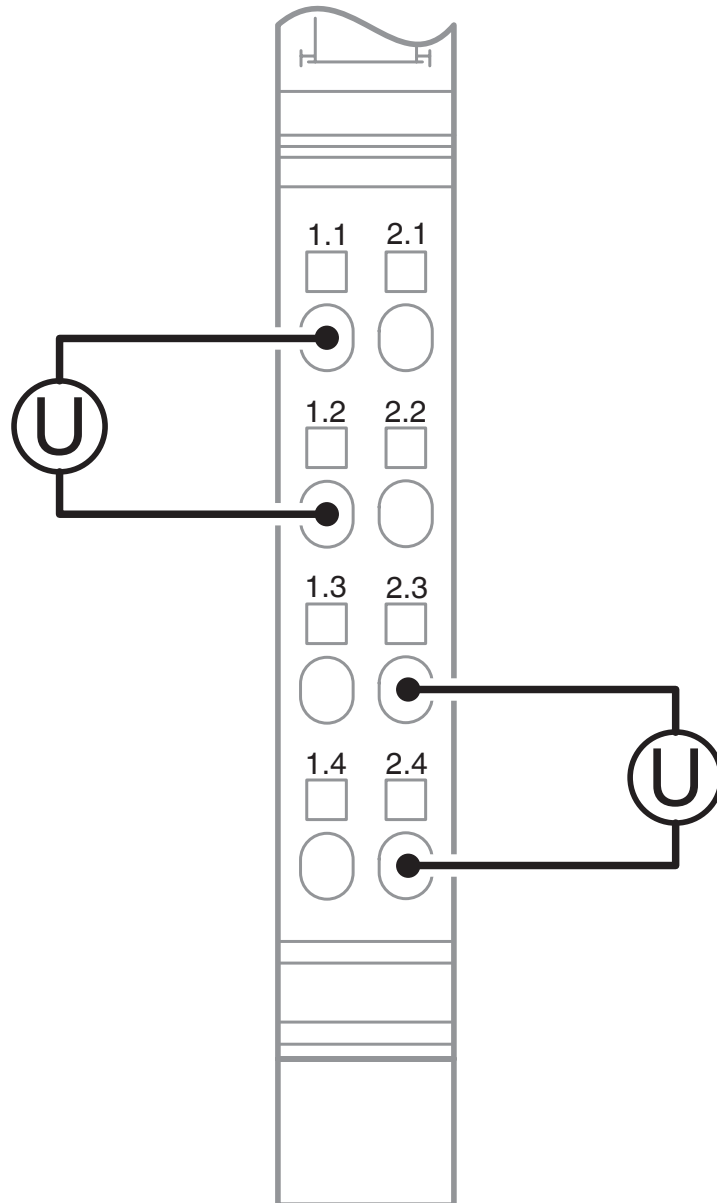
Analog module - IB IL AO 4/U/0-10-ECO

2702498

<https://www.phoenixcontact.com/pc/products/2702498>



Connection diagram



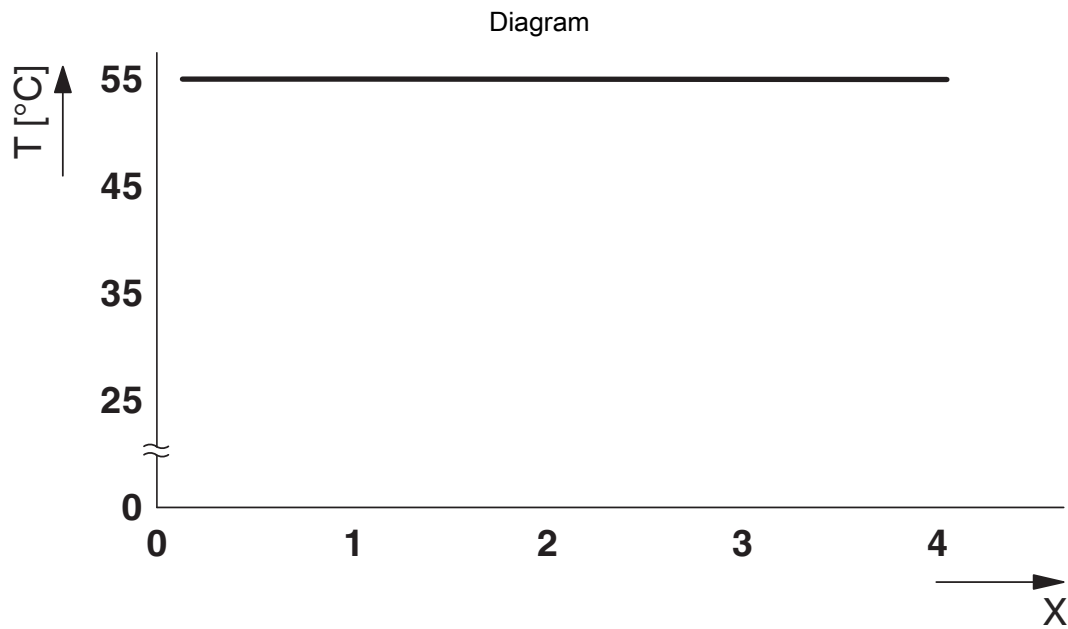
Actuator connection

Analog module - IB IL AO 4/U/0-10-ECO



2702498

<https://www.phoenixcontact.com/pc/products/2702498>



Derating with active convection

Analog module - IB IL AO 4/U/0-10-ECO



2702498

<https://www.phoenixcontact.com/pc/products/2702498>

Approvals



UL Listed

Approval ID: FILE E 238705



cUL Listed

Approval ID: FILE E 238705



cUL Listed

Approval ID: FILE E 238705



UL Listed

Approval ID: FILE E 238705

cULus Listed

Analog module - IB IL AO 4/U/0-10-ECO



2702498

<https://www.phoenixcontact.com/pc/products/2702498>

Classifications

ECLASS

ECLASS-9.0	27242601
ECLASS-10.0.1	27242601
ECLASS-11.0	27242601
ECLASS-12.0	27242601

ETIM

ETIM 8.0	EC001596
----------	----------

UNSPSC

UNSPSC 21.0	32151600
-------------	----------

Analog module - IB IL AO 4/U/0-10-ECO



2702498

<https://www.phoenixcontact.com/pc/products/2702498>

Environmental Product Compliance

REACH SVHC	Lead 7439-92-1
China RoHS	Environmentally friendly use period: unlimited = EFUP-e
	No hazardous substances above threshold values

2702498

<https://www.phoenixcontact.com/pc/products/2702498>

Accessories

Shield connection clamp

Shield connection clamp - SK 8 - 3025163

<https://www.phoenixcontact.com/pc/products/3025163>



Shield connection clamp, for shield on busbars, contact resistance < 1 mΩ

Shield connection clamp

Shield connection clamp - SK 14 - 3025176

<https://www.phoenixcontact.com/pc/products/3025176>



Shield connection clamp, for shield on busbars, contact resistance < 1 mΩ

Analog module - IB IL AO 4/U/0-10-ECO

2702498

<https://www.phoenixcontact.com/pc/products/2702498>

Shield connection clamp

Shield connection clamp - SK 20 - 3025189

<https://www.phoenixcontact.com/pc/products/3025189>

Shield connection clamp, for shield on busbars, contact resistance < 1 mΩ



Shield connection clamp

Shield connection clamp - SK 35 - 3026463

<https://www.phoenixcontact.com/pc/products/3026463>

Shield connection clamp, for shield on busbars, contact resistance < 1 mΩ



Analog module - IB IL AO 4/U/0-10-ECO

2702498

<https://www.phoenixcontact.com/pc/products/2702498>

Support bracket

Support bracket - AB-SK - 3025341

<https://www.phoenixcontact.com/pc/products/3025341>

Support bracket for busbars



Support bracket

Support bracket - AB-SK 65 - 3026489

<https://www.phoenixcontact.com/pc/products/3026489>

Support bracket, Bracket for busbars, set every 20 cm, length: 95.5 mm, width: 6.2 mm, number of positions: 1, color: gray



Analog module - IB IL AO 4/U/0-10-ECO

2702498

<https://www.phoenixcontact.com/pc/products/2702498>

Support bracket

Support bracket - AB-SK/E - 3026476

<https://www.phoenixcontact.com/pc/products/3026476>

Support bracket, Bracket for busbars, set every 20 cm, length: 10 mm, width: 56 mm, height: 20 mm, number of positions: 2, color: silver



Neutral busbar

Neutral busbar - NLS-CU 3/10 SN 1000MM - 0402174

<https://www.phoenixcontact.com/pc/products/0402174>

Neutral busbar, DIN VDE 0611-4: 1991-02, material: Copper, tin-plated, color: silver



Analog module - IB IL AO 4/U/0-10-ECO

2702498

<https://www.phoenixcontact.com/pc/products/2702498>

Connection terminal block

Connection terminal block - AK 4 - 0404017

<https://www.phoenixcontact.com/pc/products/0404017>



Connection terminal block, connection method: Screw connection, Rated cross section: 4 mm², cross section: 0.5 mm² - 6 mm², mounting: Neutral busbar, color: silver

Connection terminal block

Connection terminal block - AKG 4 GNYE - 0421029

<https://www.phoenixcontact.com/pc/products/0421029>



Connection terminal block, nom. voltage: 300 V, nominal current: 41 A, connection method: Screw connection, Rated cross section: 4 mm², cross section: 0.5 mm² - 6 mm², mounting: Neutral busbar, color: green-yellow

Analog module - IB IL AO 4/U/0-10-ECO

2702498

<https://www.phoenixcontact.com/pc/products/2702498>



Connection terminal block

Connection terminal block - AKG 4 BK - 0421032

<https://www.phoenixcontact.com/pc/products/0421032>



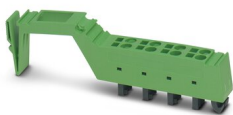
Connection terminal block, nom. voltage: 300 V, nominal current: 41 A, connection method: Screw connection, Rated cross section: 4 mm², cross section: 0.5 mm² - 6 mm², mounting: Neutral busbar, color: black

Inline connector

Inline connector - IB IL SCN-8 - 2726337

<https://www.phoenixcontact.com/pc/products/2726337>

Connector, for digital 1, 2 or 8-channel Inline terminals



Analog module - IB IL AO 4/U/0-10-ECO

2702498

<https://www.phoenixcontact.com/pc/products/2702498>



Labeling field

Labeling field - IB IL FIELD 2 - 2727501

<https://www.phoenixcontact.com/pc/products/2727501>

Labeling field, width: 12.2 mm



Phoenix Contact 2022 © - all rights reserved

<https://www.phoenixcontact.com>

PHOENIX CONTACT GmbH & Co. KG

Flachsmarktstraße 8

D-32825 Blomberg

+49 (0) 5235-3 00

info@phoenixcontact.com