

# Digital module - AXL E IOL DI8 M12 6P



2702658

<https://www.phoenixcontact.com/pc/products/2702658>

Please be informed that the data shown in this PDF document is generated from our Online Catalog. Please find the complete data in the user documentation. Our General Terms of Use for Downloads are valid.



Axioline E digital input device via IO-Link in plastic housing with an IO-Link A-port and eight inputs, 24 V DC, 4-conductor technology, M12 fast connection technology

## Product Description

The Axioline E digital input device is connected to an IO-Link master via an IO-Link A port. It is used to acquire digital signals via IO-Link. Use within different networks is possible via the IO-Link master.

## Your advantages

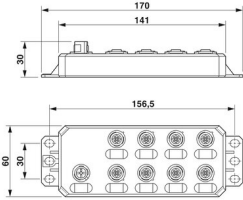
- Connection to an IO-Link master with M12 connector (A-coded, 4-pos.)
- Type A port
- IO-Link specification V1.1.2
- Connection of up to 8 inputs with M12 connectors (A-coded, 5-pos.)
- Diagnostic and status indicators
- Short-circuit and overload protection of the sensor supply
- Device rating plate stored
- IP65/IP67 degree of protection

## Commercial Data

Item number	2702658
Packing unit	1 pc
Minimum order quantity	1 pc
Product Key	DRI7DF
Catalog Page	Page 180 (C-6-2019)
GTIN	4055626279671
Weight per Piece (including packing)	297.7 g
Weight per Piece (excluding packing)	297.7 g
Customs tariff number	85176200
Country of origin	DE

## Technical Data

### Dimensions

Dimensional drawing	
Width	60 mm
Height	141 mm
Depth	20 mm
Note on dimensions	The height is 170 mm including fixing clips. The depth is 30 mm including the connector.

### Notes

#### Utilization restriction

EMC note	EMC: class A product, see manufacturer's declaration in the download area
----------	---

### Material specifications

Housing material	Pocan®
Color	anthracite grey RAL 7016

### System properties

#### IO-Link

Amount of process data	16 Bit (Input data)
------------------------	---------------------

### Input data

#### Digital

Input name	Digital inputs
Description of the input	EN 61131-2 types 1 and 3
Number of inputs	8
Cable length	max. 30 m (to the sensor)
Connection method	M12 connector
Connection technology	4-conductor
Input voltage range "0" signal	-3 V ... 5 V DC
Input voltage range "1" signal	11 V DC ... 30 V DC
Nominal input voltage $U_{IN}$	24 V DC
Nominal input current at $U_{IN}$	typ. 2.4 mA
Input filter time	1 ms
Protective circuit	Overload protection, short-circuit protection of sensor supply

# Digital module - AXL E IOL DI8 M12 6P



2702658

<https://www.phoenixcontact.com/pc/products/2702658>

	Polarity reversal protection of the inputs
--	--

## IO-Link

Number of ports	1
Connection method	M12 connector, A-coded
Connection technology	3-conductor
Port type	Class A

## Product properties

Type	Stand-alone
Product type	I/O component

## Electrical properties

### Supply: IO-Link

Designation	IO-Link port supply (L+)
Nominal voltage for I/O supply	24 V DC (Provided via the IO-Link interface of the IO-Link master.)
Nominal current per device	approx. 40 mA (15 mA no load + current consumption sensors)
Protective circuit	Reverse polarity protection; yes
Permissible cable length	max. 20 m

### Supply:

Designation	Power supply for sensors
Current consumption	max. 1.28 A (per port) max. 1.28 A (Device dependent; observe the current of the IO-Link master that is made available via L+.)

## Connection data

Connection method	M12 connector
Note on the connection method	in accordance with IEC 61076-2-101, M12 fast connection technology (SPEEDCON)

## Ambient conditions

Ambient temperature (operation)	-25 °C ... 60 °C
Degree of protection	IP65/IP67
Air pressure (operation)	70 kPa ... 106 kPa (up to 3000 m above sea level)
Air pressure (storage/transport)	70 kPa ... 106 kPa (up to 3000 m above sea level)
Ambient temperature (storage/transport)	-25 °C ... 70 °C
Permissible humidity (operation)	5 % ... 95 %
Permissible humidity (storage/transport)	5 % ... 95 %

## Standards and regulations

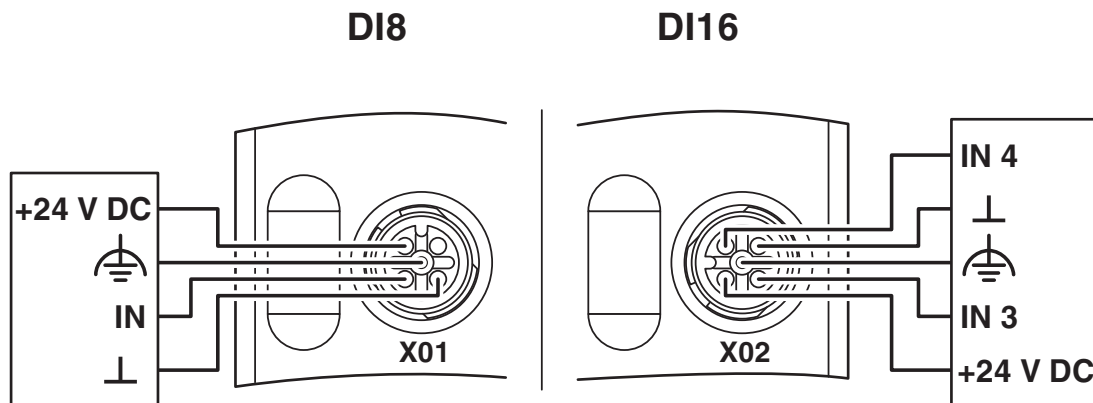
Protection class	III (IEC 61140, EN 61140, VDE 0140-1)
------------------	---------------------------------------

## Mounting

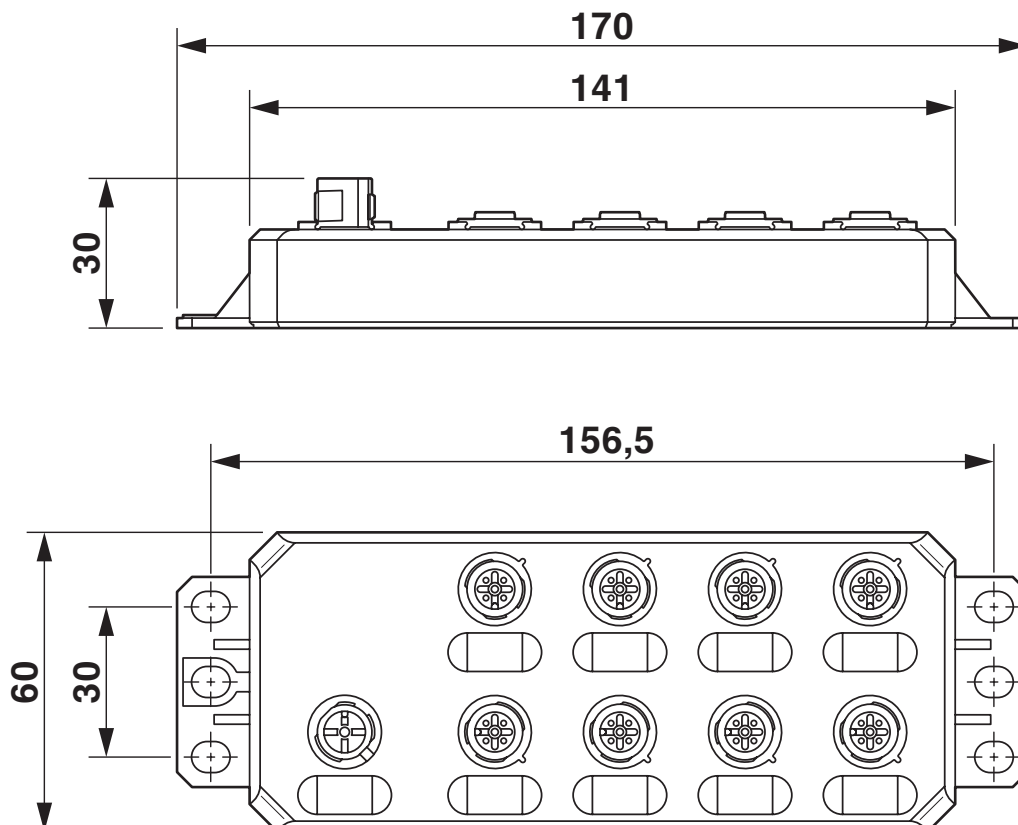
Mounting type	Wall mounting
---------------	---------------

## Drawings

Connection diagram



Dimensional drawing



2702658

<https://www.phoenixcontact.com/pc/products/2702658>

## Approvals

 <b>UL Listed</b> Approval ID: FILE E 238705				
	Nominal Voltage $U_N$	Nominal Current $I_N$	Cross Section AWG	Cross Section $\text{mm}^2$
	125 V	1 A	-	-

 <b>cUL Listed</b> Approval ID: FILE E 238705				
	Nominal Voltage $U_N$	Nominal Current $I_N$	Cross Section AWG	Cross Section $\text{mm}^2$
	125 V	1 A	-	-

<b>cULus Listed</b>				
---------------------	--	--	--	--

2702658

<https://www.phoenixcontact.com/pc/products/2702658>

## Classifications

### ECLASS

ECLASS-9.0	27242604
ECLASS-10.0.1	27242604
ECLASS-11.0	27242604

### ETIM

ETIM 8.0	EC001599
----------	----------

### UNSPSC

UNSPSC 21.0	32151600
-------------	----------

2702658

<https://www.phoenixcontact.com/pc/products/2702658>

## Environmental Product Compliance

REACH SVHC	Lead 7439-92-1
China RoHS	Environmentally Friendly Use Period = 50 years
	For information on hazardous substances, refer to the manufacturer's declaration available under "Downloads"

# Digital module - AXL E IOL DI8 M12 6P

2702658

<https://www.phoenixcontact.com/pc/products/2702658>

## Accessories

### Screw plug

Screw plug - PROT-M12 - 1680539

<https://www.phoenixcontact.com/pc/products/1680539>



An M12 screw plug for the unoccupied M12 sockets of the sensor/actuator cable, boxes and flush-type connectors

---

### Snap-in markers

Snap-in markers - UCT-EM (7X10) - 0830765

<https://www.phoenixcontact.com/pc/products/0830765>



Snap-in markers, Sheet, white, unlabeled, can be labeled with: TOPMARK NEO, TOPMARK LASER, BLUEMARK ID COLOR, BLUEMARK ID, BLUEMARK CLED, THERMOMARK PRIME, THERMOMARK CARD 2.0, THERMOMARK CARD, mounting type: snapped, lettering field size: 7 x 10 mm, Number of individual labels: 30



# Digital module - AXL E IOL DI8 M12 6P



2702658

<https://www.phoenixcontact.com/pc/products/2702658>

## Network management software

Network management software - IOL-CONF - 1083065

<https://www.phoenixcontact.com/pc/products/1083065>



IOL-CONF is a browser-based configuration software tool for the easy startup of IO-Link masters and IO-Link devices

---

Phoenix Contact 2022 © - all rights reserved

<https://www.phoenixcontact.com>

PHOENIX CONTACT GmbH & Co. KG

Flachsmarktstraße 8

D-32825 Blomberg

+49 (0) 5235-3 00

[info@phoenixcontact.com](mailto:info@phoenixcontact.com)