

Injector - INJ 2112-T



2703014

<https://www.phoenixcontact.com/pc/products/2703014>

Please be informed that the data shown in this PDF document is generated from our Online Catalog. Please find the complete data in the user documentation. Our General Terms of Use for Downloads are valid.



PoE injector, 60 W, RJ45 jack on IDC terminal blocks, 10/100/1000 Mbps, DIN rail mounting, IP20, potential separation, shield contacting with strain relief, shield current monitoring, surge protection

Product Description

The midspan injectors connect Ethernet devices without PoE (e.g., switches) to PoE-capable end devices (e.g., IP cameras). As power sourcing equipment (PSE), the injector supplies the required power to a powered device (PD) via the data cable. The injector and end device negotiate the electrical power requirements autonomously. The IDC fast connection terminal blocks enable tool-free connection without stripping the single-core wires. The terminal blocks with inserted wires are simply pressed shut by hand. Observe the permissible single-core wire diameter and the permissible insulation material.

Your advantages

- Extended temperature range of -40 °C ... +75 °C
- Fast connection of the PoE cable
- Wiring space covered with front panel cover
- Integrated surge protection to ensure high system availability
- Electrical isolation of the internal power supply unit for protection against short circuits on the PoE side
- 10/100/1000 Mbps

Commercial Data

Item number	2703014
Packing unit	1 pc
Minimum order quantity	1 pc
Product Key	DNC351
Catalog Page	Page 347 (C-6-2019)
GTIN	4055626463223
Weight per Piece (including packing)	489.2 g
Weight per Piece (excluding packing)	324.72 g
Customs tariff number	85176200
Country of origin	DE

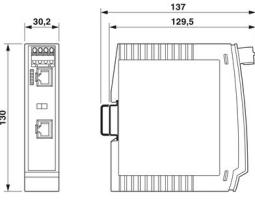
Injector - INJ 2112-T

2703014

<https://www.phoenixcontact.com/pc/products/2703014>

Technical Data

Dimensions

Dimensional drawing	
Width	30.2 mm
Height	130 mm
Depth	120 mm

Notes

Utilization restriction

EMC note	EMC: class A product, see manufacturer's declaration in the download area
----------	---

Utilization restriction

CCCEX note	Use in potentially explosive areas is not permitted in China.
------------	---

Material specifications

Color	gray
Material	Plastic (Housing)
Flammability rating according to UL 94	V0

Mounting

Mounting type	DIN rail mounting
Mounting position	vertical

Interfaces

Basic functions	PSE/Midspan, compliant with IEEE 802.3af, at
-----------------	--

Data: Power over Ethernet

Serial transmission speed	10/100/1000 Mbps
Frequency range	125 MHz
Connection method	IDC connection
No. of channels	1
Pin assignment	1:1
Transmission length	100 m (including patch cables)
Conductor cross section flexible max.	0.34 mm ²
Conductor cross section flexible min.	0.14 mm ²
Conductor cross section solid max.	0.34 mm ²
Conductor cross section solid min.	0.14 mm ²

Injector - INJ 2112-T



2703014

<https://www.phoenixcontact.com/pc/products/2703014>

Max. AWG conductor cross section, flexible	22
Min. AWG conductor cross section, flexible	26
Single-wire/terminal point, solid AWG max.	22
Single-wire/terminal point, solid AWG min.	26
Wire diameter incl. insulation	1.6 mm (Terminal block is tested with PVC insulation - other insulation materials available on request)
Frequency of connections between conductors of the same cross section	10
Output nominal voltage	54 V DC (PoE)
Output power	60 W
Maximum output power	75 W (UL)

Data: Ethernet

Connection method	RJ45 jack
-------------------	-----------

Product properties

IEC test classification	C2
Product type	Injector
MTTF	1797 Years (SN 29500 standard, temperature 25°C, operating cycle 21%)
	733 Years (SN 29500 standard, temperature 40°C, operating cycle 34.25%)
	283 Years (SN 29500 standard, temperature 40°C, operating cycle 100%)

Electrical properties

Electrical isolation	VCC // SCM + FE // PoE
Test voltage data interface/power supply	1.5 kV AC (50 Hz, 1 min.)

Supply

Supply voltage range	18 V DC ... 57 V DC
Nominal supply voltage	24 V DC (SELV/PELV, restrictions for ATEX applications)
	48 V DC
Max. current consumption	4.2 A
	2.73 A (24 V DC, Ex areas in accordance with UL-HazLoc)
	1.34 A (48 V DC, Ex areas in accordance with UL-HazLoc)
Power consumption	≤ 75 W
Protective circuit	Reverse polarity protection
Connection method	Push-in connection

Function

Designation	Shield current monitoring
Switch-on threshold	≥ 30 mA
Local diagnostics	Yellow LED
Precision	± 5 %
Response time	3 s
Current	≤ 2 A

Injector - INJ 2112-T



2703014

<https://www.phoenixcontact.com/pc/products/2703014>

Power consumption	270 mW (Shield current monitoring)
-------------------	------------------------------------

Connection data

Supply

Connection method	Push-in connection
Conductor cross section flexible, with ferrule without plastic sleeve	0.25 mm ² ... 2.5 mm ²
Conductor cross section, flexible, with ferrule, with plastic sleeve	0.25 mm ² ... 2.5 mm ²
Conductor cross section, flexible	0.20 mm ² ... 2.50 mm ²
Conductor cross section, rigid	0.20 mm ² ... 2.50 mm ²

Ambient conditions

Degree of protection	IP20 (Manufacturer's declaration)
Ambient temperature (operation)	-40 °C ... 75 °C (for derating, see technical documentation)
Ambient temperature (storage/transport)	-40 °C ... 85 °C
Altitude	≤ 5000 m (For restrictions, see the manufacturer's declaration for altitude operation) ≤ 2000 m (Restrictions for ATEX applications)
Permissible humidity (operation)	10 % ... 95 % (non-condensing)
Air pressure (operation)	80 kPa ... 110 kPa (ATEX approval)

Standards and regulations

Standards/regulations	IEC 61643-21
-----------------------	--------------

Approval data

CE

Certificate	CE-compliant
-------------	--------------

ATEX

Identification	<input type="checkbox"/> II 3G Ex ec nC IIC T4 Gc
Certificate	PxCIF19ATEX2703014X
Note	Please follow the special installation instructions in the documentation!

UL, USA / Canada

Identification	Class I, Zone 2, AEx nA IIC T4, Ex nA IIC Gc X T4 Class I, Div. 2, Groups A, B, C, D
----------------	---

UL, USA

Certificate	UL 60079-0 Ed. 6 / UL 60079-15 Ed. 4
-------------	--------------------------------------

UL, Canada

Certificate	CSA 22.2 No. 60079-0 Ed. 3 / CSA 22.2 No. 60079-15:16
-------------	---

Corrosive gas test

Identification	ISA-S71.04-1985 G3 Harsh Group A
----------------	----------------------------------

Injector - INJ 2112-T



2703014

<https://www.phoenixcontact.com/pc/products/2703014>

Power over Ethernet

Identification	IEEE 802.3af
	IEEE 802.3at

EMC data

Electromagnetic compatibility	Conformance with EMC Directive 2014/30/EU
	FCC Part 15B Class A
	CISPR 22

Electrostatic discharge

Standards/regulations	EN 61000-4-2
-----------------------	--------------

Electrostatic discharge

Contact discharge	± 6 kV (Test Level 3)
Discharge in air	± 8 kV (Test Level 3)
Indirect discharge	± 6 kV
Comments	Criterion B

Electromagnetic HF field

Standards/regulations	EN 61000-4-3
-----------------------	--------------

Electromagnetic HF field

Frequency range	80 MHz ... 3 GHz (Test Level 3)
Field intensity	10 V/m
Comments	Criterion A

Fast transients (burst)

Standards/regulations	EN 61000-4-4
-----------------------	--------------

Fast transients (burst)

Input	± 2.2 kV (1 minute)
Signal	± 2.2 kV (1 minute)
Comments	Criterion B

Surge current load (surge)

Standards/regulations	EN 61000-4-5
-----------------------	--------------

Surge current load (surge)

Input	± 0.5 kV
Signal	± 1 kV (Data line, asymmetrical)
	± 2 kV (I/O cable on field side only, asymmetric)
Comments	Criterion B

Conducted interference

Standards/regulations	EN 61000-4-6
-----------------------	--------------

Conducted interference

Frequency range	0.15 MHz ... 80 MHz
-----------------	---------------------

Injector - INJ 2112-T



2703014

<https://www.phoenixcontact.com/pc/products/2703014>

Comments	Criterion A
Voltage	10 V

Emitted interference

Standards/regulations	EN 61000-6-4
Comments	Class A, industrial applications

Emitted interference

Standards/regulations	EN 61000-6-3
Comments	Class B, domain of use: residential and small commercial

LED signaling

Optical representation	Yellow LED
------------------------	------------

Injector - INJ 2112-T

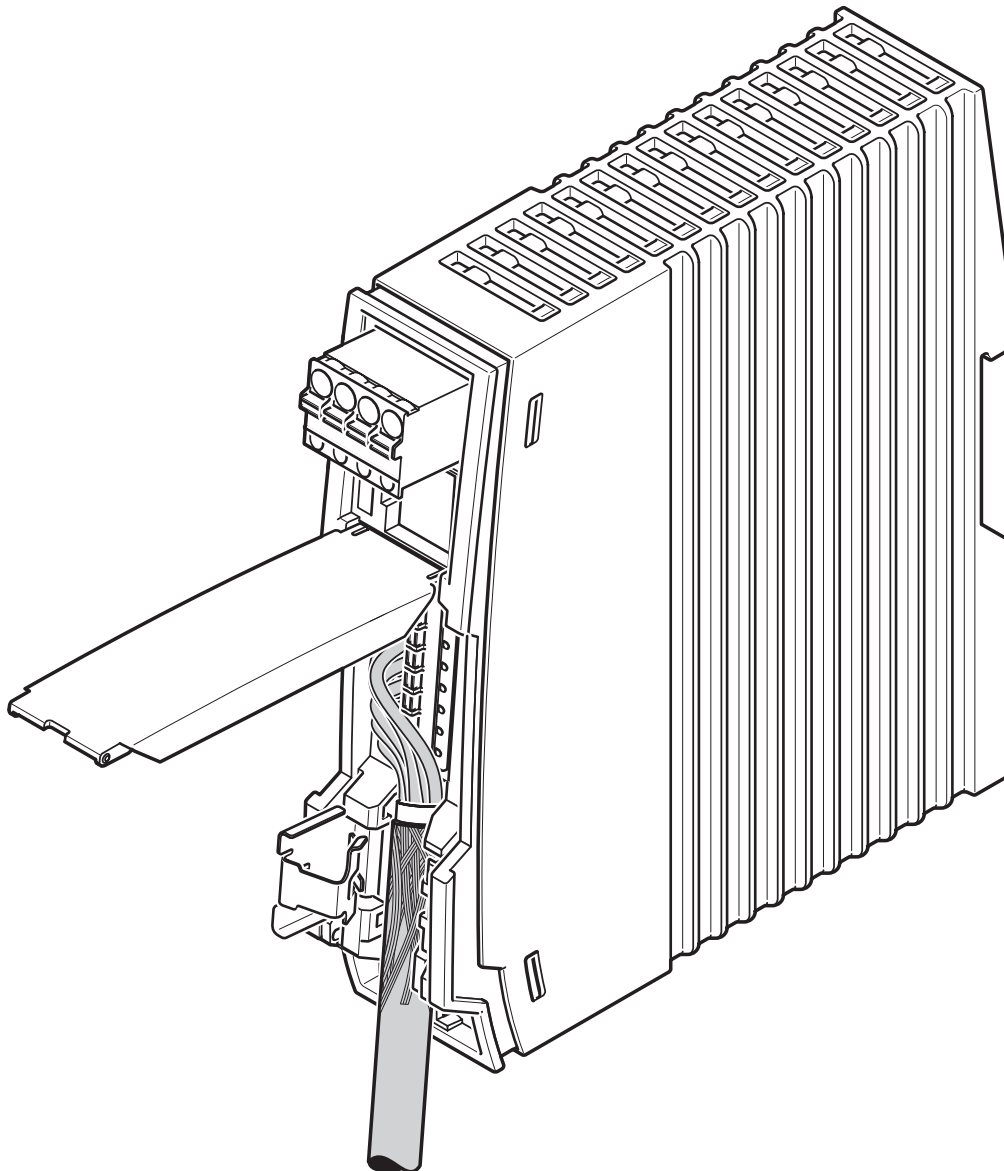
2703014

<https://www.phoenixcontact.com/pc/products/2703014>



Drawings

Schematic diagram



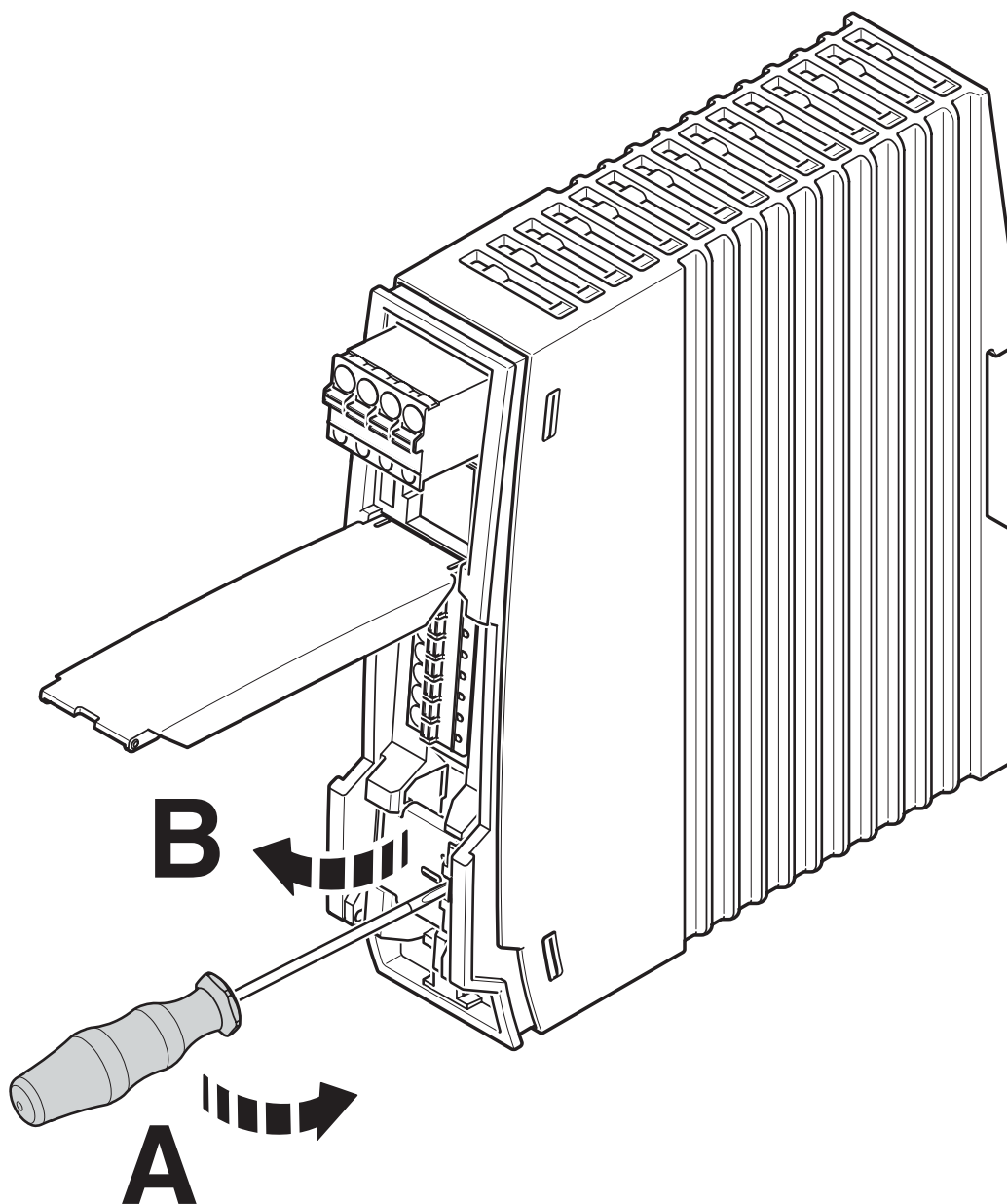
Inserting the cable

Injector - INJ 2112-T

2703014

<https://www.phoenixcontact.com/pc/products/2703014>

Schematic diagram



Open shield contact spring

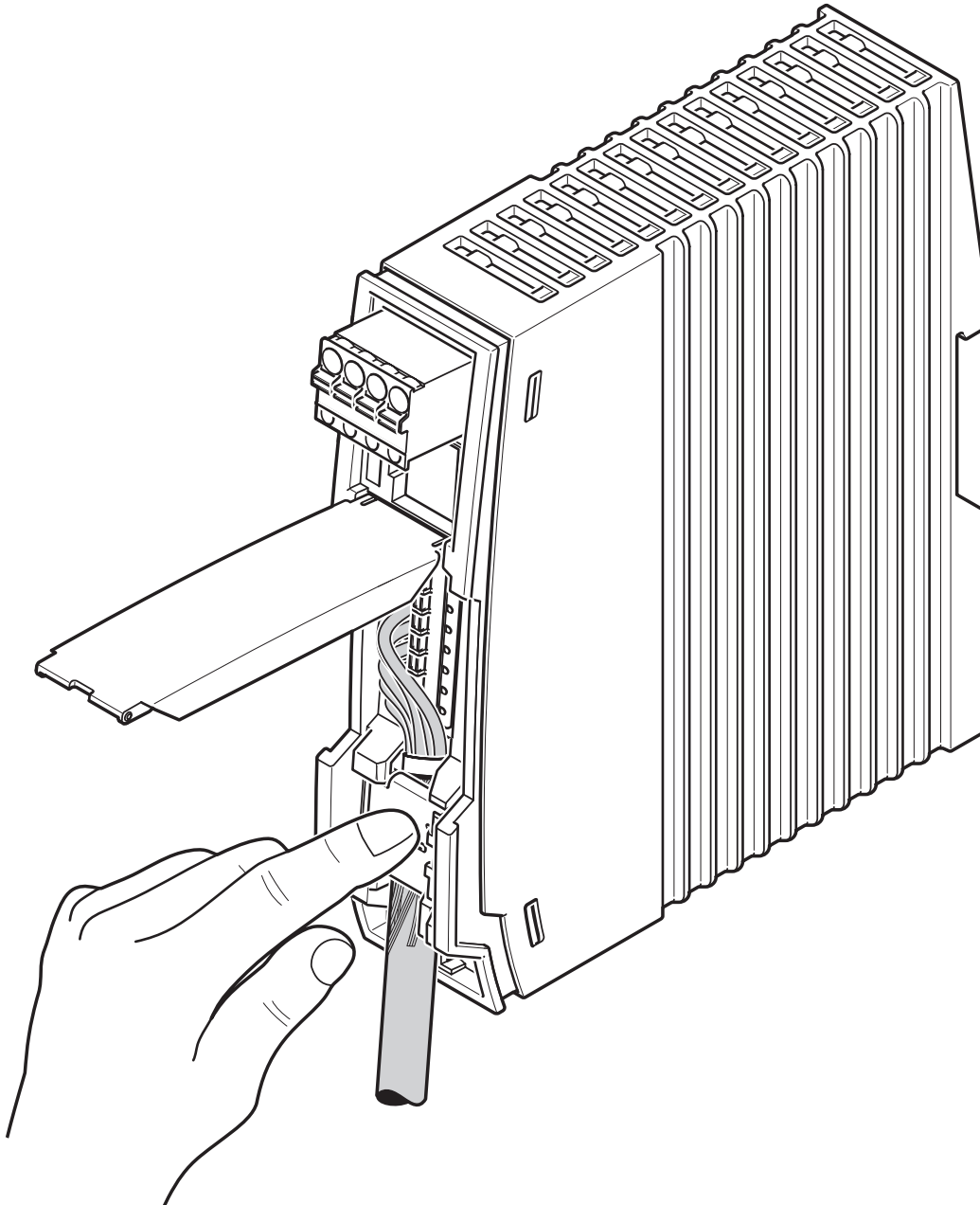
Injector - INJ 2112-T

2703014

<https://www.phoenixcontact.com/pc/products/2703014>



Schematic diagram



Close shield contact spring

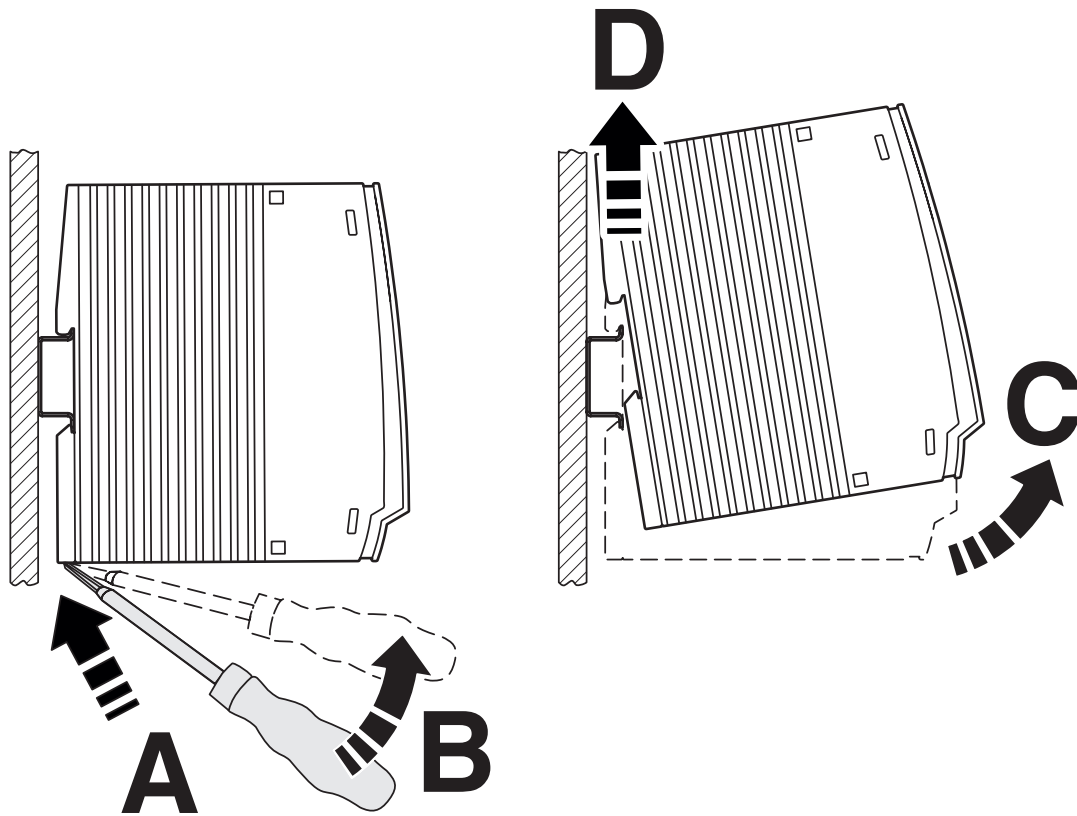
Injector - INJ 2112-T

2703014

<https://www.phoenixcontact.com/pc/products/2703014>



Schematic diagram



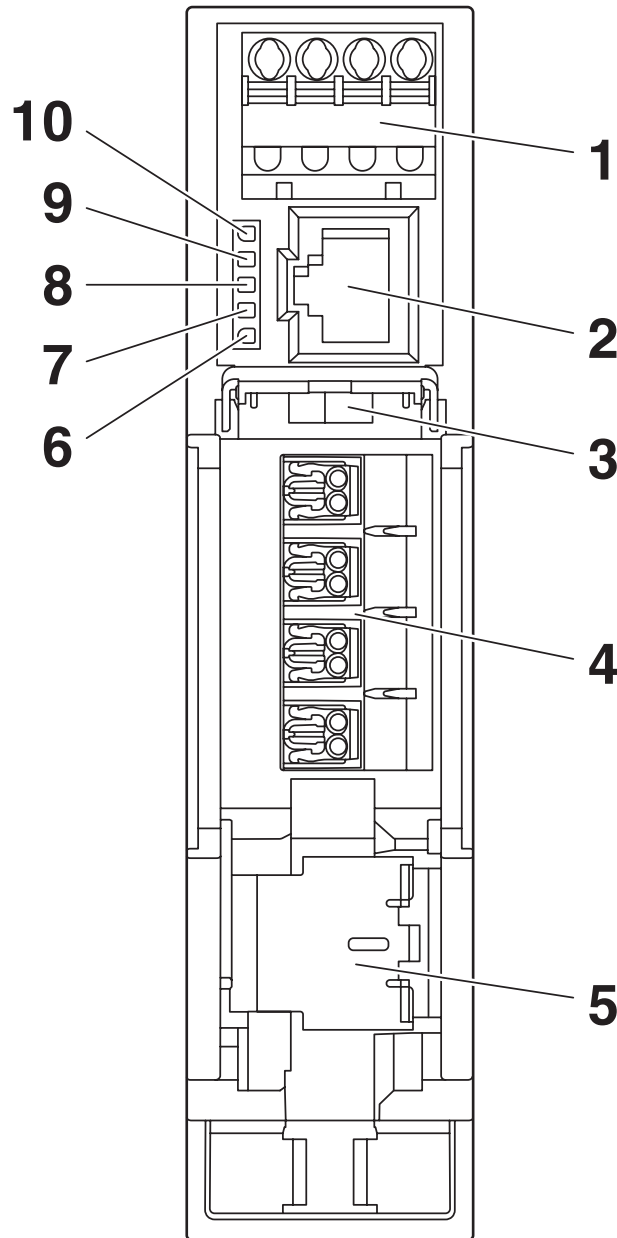
Removal

Injector - INJ 2112-T

2703014

<https://www.phoenixcontact.com/pc/products/2703014>

Schematic diagram



Front view

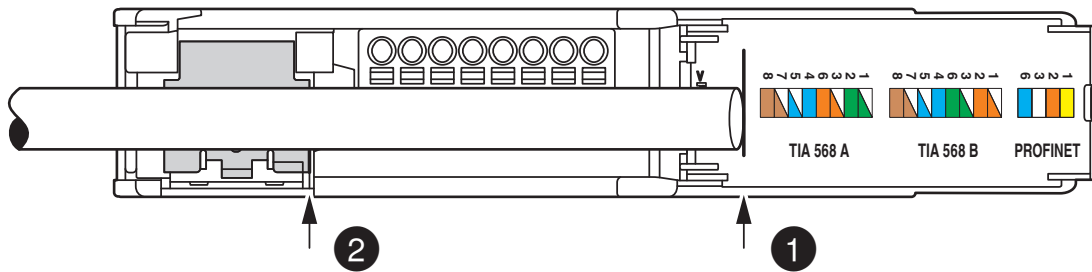
Injector - INJ 2112-T

2703014

<https://www.phoenixcontact.com/pc/products/2703014>

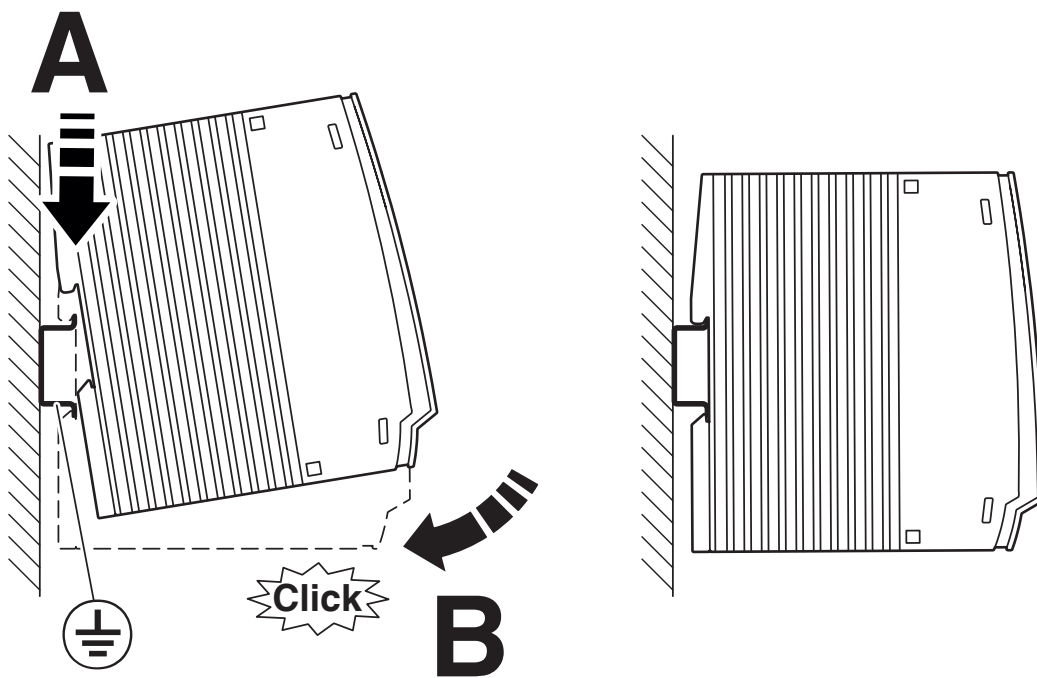


Schematic diagram



Stripping length

Schematic diagram



Mounting

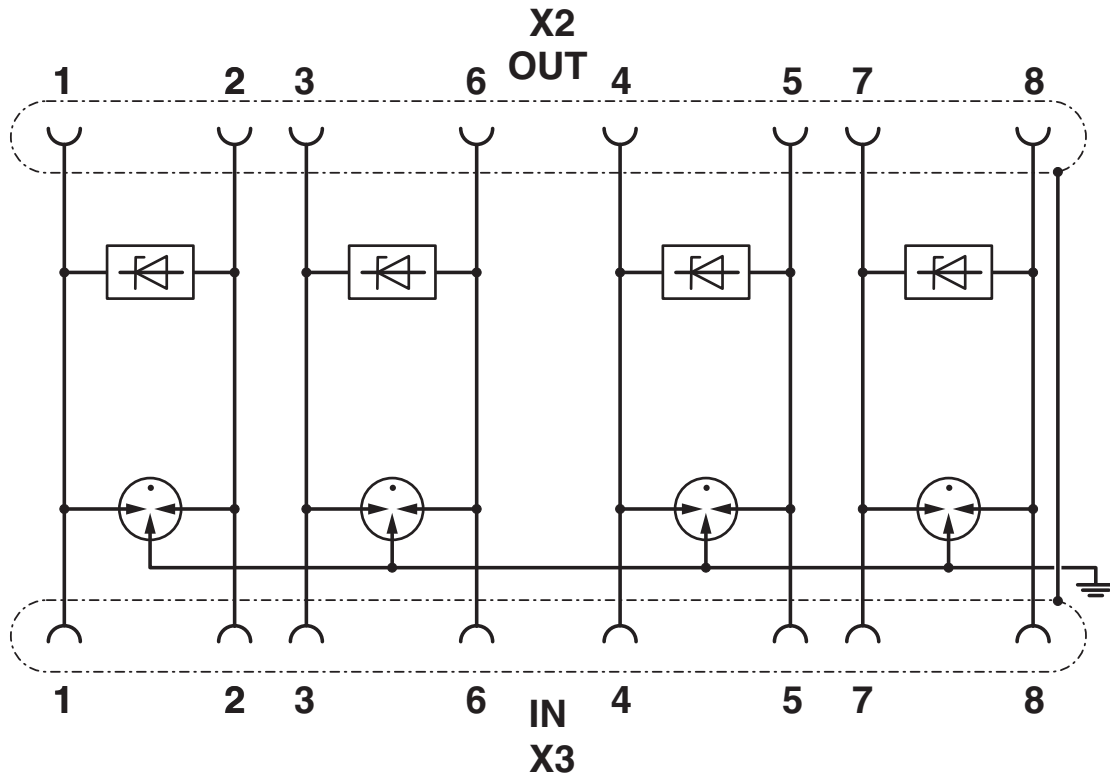
Injector - INJ 2112-T

2703014

<https://www.phoenixcontact.com/pc/products/2703014>



Circuit diagram



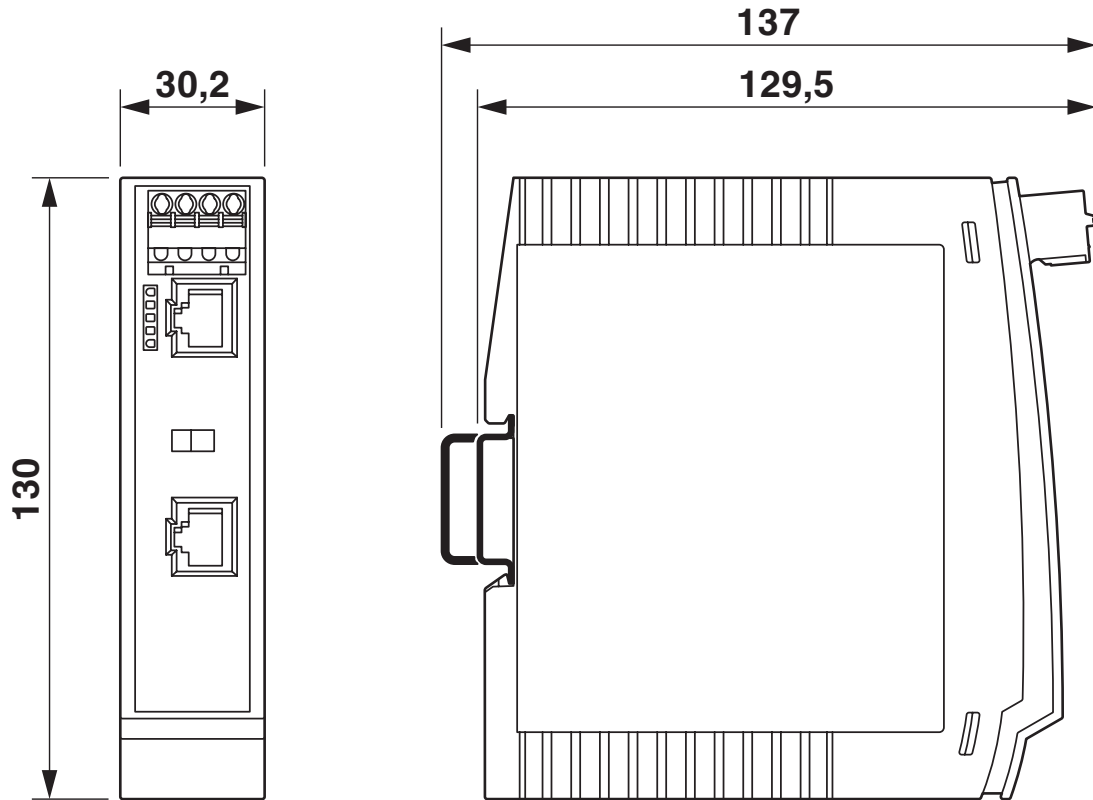
Injector - INJ 2112-T

2703014

<https://www.phoenixcontact.com/pc/products/2703014>



Dimensional drawing



Housing dimensions

Injector - INJ 2112-T



2703014

<https://www.phoenixcontact.com/pc/products/2703014>

Approvals



UL Listed

Approval ID: FILE E 238705



cUL Listed

Approval ID: FILE E 238705



ATEX

Approval ID: PxCIF19ATEX2703014X



cUL Listed

Approval ID: FILE E 366272



UL Listed

Approval ID: FILE E 366272

cULus Listed

cULus Listed

Injector - INJ 2112-T

2703014

<https://www.phoenixcontact.com/pc/products/2703014>



Classifications

ECLASS

ECLASS-9.0	19170112
ECLASS-10.0.1	19170112
ECLASS-11.0	19170112

ETIM

ETIM 8.0	EC002697
----------	----------

UNSPSC

UNSPSC 21.0	43223300
-------------	----------

Injector - INJ 2112-T

2703014

<https://www.phoenixcontact.com/pc/products/2703014>



Environmental Product Compliance

REACH SVHC	Lead 7439-92-1
China RoHS	Environmentally Friendly Use Period = 50 years
	For information on hazardous substances, refer to the manufacturer's declaration available under "Downloads"

Injector - INJ 2112-T

2703014

<https://www.phoenixcontact.com/pc/products/2703014>



Accessories

Assembly tool

Assembly tool - FL CRIMPTOOL - 2744869

<https://www.phoenixcontact.com/pc/products/2744869>

Crimping pliers, for assembling the RJ45 plugs FL PLUG RJ45..., for assembly on site



Network isolator

Network isolator - FL ISOLATOR 100-RJ/SC - 2313928

<https://www.phoenixcontact.com/pc/products/2313928>

Passive network isolator for electrical isolation in Ethernet networks. This protects Ethernet devices from potential differences of up to 4 kV. Can be used for transmission speeds of up to 100 Mbps. Connection using RJ45 and COMBICON plug-in screw terminal block.



Injector - INJ 2112-T

2703014

<https://www.phoenixcontact.com/pc/products/2703014>



Network isolator

Network isolator - FL ISOLATOR 100-RJ/RJ - 2313931

<https://www.phoenixcontact.com/pc/products/2313931>



Passive network isolator for electrical isolation in Ethernet networks. This protects Ethernet devices from potential differences of up to 4 kV. Can be used for transmission speeds of up to 100 Mbps. Possible to connect two RJ45 plugs.

Network isolator

Network isolator - FL ISOLATOR 1000-RJ/RJ - 2313915

<https://www.phoenixcontact.com/pc/products/2313915>



Passive network isolator for electrical isolation in Ethernet networks. This protects Ethernet devices from potential differences of up to 4 kV. Can be used for transmission speeds of up to 1 Gbps. Possible to connect two RJ45 plugs.

Injector - INJ 2112-T

2703014

<https://www.phoenixcontact.com/pc/products/2703014>



Network isolator

Network isolator - FL ISOLATOR 100-M12 - 2902985

<https://www.phoenixcontact.com/pc/products/2902985>

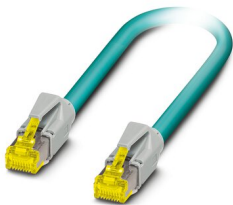


Passive network isolator for electrical isolation in Ethernet networks. For the protection of Ethernet devices against potential differences of up to 4 kV. Can be used for transmission speeds of up to 100 Mbps. Ethernet connection via two M12 sockets (D-coded).

Patch cable

Patch cable - NBC-R4AC-R4AC-IE8A/.../... - 1411854

<https://www.phoenixcontact.com/pc/products/1411854>



Patch cable, degree of protection: IP20, number of positions: 8, 10 Gbps, CAT6_A, cable outlet: straight, Ethernet

Injector - INJ 2112-T

2703014

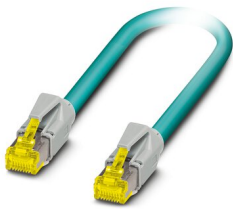
<https://www.phoenixcontact.com/pc/products/2703014>



Patch cable

Patch cable - NBC-R4AC/10G-R4AC/10G-94F/2,0 - 1408360

<https://www.phoenixcontact.com/pc/products/1408360>

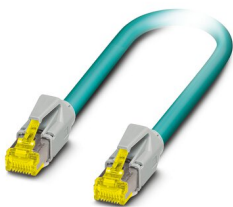


Patch cable, CAT6_A, 4-pair, shielded, connection not crossed (line), assembled at both ends with RJ45/IP20 connectors, outer sheath material: PUR, length: 2.0 m

Patch cable

Patch cable - NBC-R4AC/10G-R4AC/10G-94F/3,0 - 1408365

<https://www.phoenixcontact.com/pc/products/1408365>



Patch cable, CAT6_A, 4-pair, shielded, connection not crossed (line), assembled at both ends with RJ45/IP20 connectors, outer sheath material: PUR, length: 3.0 m

Injector - INJ 2112-T

2703014

<https://www.phoenixcontact.com/pc/products/2703014>



Patch cable

Patch cable - NBC-R4AC/1,0-93B/R4AC - 1408968

<https://www.phoenixcontact.com/pc/products/1408968>



Patch cable, degree of protection: IP20, cable length: 1 m, number of positions: 4, 100 Mbps, CAT5, material: PA 6.6, PROFINET

Patch cable

Patch cable - NBC-R4AC/2,0-93B/R4AC - 1408969

<https://www.phoenixcontact.com/pc/products/1408969>



Patch cable, degree of protection: IP20, cable length: 2 m, number of positions: 4, 100 Mbps, CAT5, material: PA 6.6, PROFINET

Injector - INJ 2112-T

2703014

<https://www.phoenixcontact.com/pc/products/2703014>



Patch cable

Patch cable - FL CAT5 PATCH 0,3 - 2832250

<https://www.phoenixcontact.com/pc/products/2832250>



Patch cable, CAT5, assembled, 0.3 m

Patch cable

Patch cable - FL CAT5 PATCH 0,5 - 2832263

<https://www.phoenixcontact.com/pc/products/2832263>



Patch cable, CAT5, assembled, 0.5 m

Injector - INJ 2112-T

2703014

<https://www.phoenixcontact.com/pc/products/2703014>



Patch cable

Patch cable - FL CAT5 PATCH 1,0 - 2832276

<https://www.phoenixcontact.com/pc/products/2832276>



Patch cable, CAT5, assembled, 1 m

Patch cable

Patch cable - FL CAT5 PATCH 1,5 - 2832221

<https://www.phoenixcontact.com/pc/products/2832221>



Patch cable, CAT5, assembled, 1.5 m

Injector - INJ 2112-T

2703014

<https://www.phoenixcontact.com/pc/products/2703014>



Patch cable

Patch cable - FL CAT5 PATCH 2,0 - 2832289

<https://www.phoenixcontact.com/pc/products/2832289>



Patch cable, CAT5, assembled, 2 m

Patch cable

Patch cable - FL CAT5 PATCH 3,0 - 2832292

<https://www.phoenixcontact.com/pc/products/2832292>



Patch cable, CAT5, assembled, 3 m

Injector - INJ 2112-T

2703014

<https://www.phoenixcontact.com/pc/products/2703014>



RJ45 connector

RJ45 connector - VS-08-RJ45-10G/Q - 1419001

<https://www.phoenixcontact.com/pc/products/1419001>



RJ45 connector, IP20, CAT6_A, 8-pos., with QUICKON fast connection technology, for 26 ... 24 AWG 1-wire and 7-wire conductors, color: black

RJ45 connector

RJ45 connector - VS-PN-RJ45-5-Q/IP20 - 1658435

<https://www.phoenixcontact.com/pc/products/1658435>



RJ45 connector, type: RJ45, degree of protection: IP20, number of positions: 4, 100 Mbps, CAT5 (IEC 11801:2002), material: PA, connection method: IDC fast connection, cable outlet: straight, color: traffic grey A RAL 7042, PROFINET

Injector - INJ 2112-T

2703014

<https://www.phoenixcontact.com/pc/products/2703014>



RJ45 connector

RJ45 connector - VS-08-RJ45-5-Q/IP20 - 1656725

<https://www.phoenixcontact.com/pc/products/1656725>



RJ45 connector, degree of protection: IP20, number of positions: 8, 1 Gbps, CAT5 (IEC 11801:2002), material: PA, connection method: IDC fast connection, connection cross section: AWG 26- 23, cable outlet: straight, color: traffic grey A RAL 7042, Ethernet

RJ45 connector

RJ45 connector - VS-08-RJ45-5-Q/IP20 BK - 1658008

<https://www.phoenixcontact.com/pc/products/1658008>



RJ45 connector, type: RJ45, degree of protection: IP20, number of positions: 8, 1 Gbps, CAT5 (IEC 11801:2002), material: PA, connection method: IDC fast connection, connection cross section: AWG 26- 23, cable outlet: straight, color: black, Ethernet

Injector - INJ 2112-T

2703014

<https://www.phoenixcontact.com/pc/products/2703014>



Stripping tool

Stripping tool - VS-CABLE-STRIP-VARIO - 1657407

<https://www.phoenixcontact.com/pc/products/1657407>

Stripping tool, for the multi-level stripping of shielded cables



Screwdriver

Screwdriver - SZF 0-0,4X2,5 - 1204504

<https://www.phoenixcontact.com/pc/products/1204504>

Actuation tool, for ST terminal blocks, also suitable for use as a bladed screwdriver, size: 0.4 x 2.5 x 75 mm, 2-component grip, with non-slip grip



Injector - INJ 2112-T

2703014

<https://www.phoenixcontact.com/pc/products/2703014>



Diagonal cutter

Diagonal cutter - MICROFOX-SP - 1212488

<https://www.phoenixcontact.com/pc/products/1212488>



Electronic diagonal cutter, tapered head, angled (21°), without chamfer, with opening spring

Network cable

Network cable - VS-OE-OE-94F/... - 1417359

<https://www.phoenixcontact.com/pc/products/1417359>



Network cable, Ethernet CAT6_A (10 Gbps), 8-position halogen-free, shielded, free cable end, on free cable end, cable length: Free entry (0.5 ... 400 m)

Phoenix Contact 2022 © - all rights reserved
<https://www.phoenixcontact.com>

PHOENIX CONTACT GmbH & Co. KG
Flachsmarktstraße 8
D-32825 Blomberg
+49 (0) 5235-3 00
info@phoenixcontact.com