

G 10/ 4 - Device terminal block



2716729

<https://www.phoenixcontact.com/pc/products/2716729>

Please be informed that the data shown in this PDF document is generated from our online catalog. Please find the complete data in the user documentation. Our general terms of use for downloads are valid.



Device terminal block, nom. voltage: 800 V, nominal current: 57 A, number of connections: 8, number of positions: 4, connection method: Screw connection, Rated cross section: 10 mm², cross section: 0.5 mm² - 16 mm², mounting type: direct screw connection, color: gray

Your advantages

- Touch-proof shock protection

Commercial data

Item number	2716729
Packing unit	10 pc
Minimum order quantity	10 pc
Product key	BE1265
Catalog page	Page 577 (C-1-2019)
GTIN	4017918061999
Weight per piece (including packing)	72.9 g
Weight per piece (excluding packing)	72.9 g
Customs tariff number	85369010
Country of origin	TR

G 10/ 4 - Device terminal block



2716729

<https://www.phoenixcontact.com/pc/products/2716729>

Technical data

Product properties

Product type	Feed-through terminal block
Number of positions	4
Number of connections	8
Number of rows	1
Potentials	4

Insulation characteristics

Overvoltage category	III
Degree of pollution	3

Electrical properties

Rated surge voltage	8 kV
Maximum power dissipation for nominal condition	1.82 W

Connection data

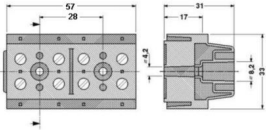
Number of connections per level	8
Nominal cross section	10 mm ²
Screw thread	M4
Tightening torque	1.5 ... 1.8 Nm
Stripping length	12 mm
Internal cylindrical gage	A3
Connection in acc. with standard	IEC 60947-7-1
Conductor cross section rigid	0.5 mm ² ... 16 mm ²
Cross section AWG	20 ... 6 (converted acc. to IEC)
Conductor cross section flexible	0.5 mm ² ... 10 mm ²
Conductor cross section, flexible [AWG]	20 ... 8 (converted acc. to IEC)
Conductor cross-section flexible (ferrule without plastic sleeve)	0.5 mm ² ... 16 mm ²
Flexible conductor cross section (ferrule with plastic sleeve)	0.5 mm ² ... 16 mm ²
2 conductors with same cross section, solid	0.5 mm ² ... 6 mm ²
2 conductors with same cross section, flexible	0.5 mm ² ... 6 mm ²
2 conductors with same cross section, flexible, with ferrule without plastic sleeve	0.5 mm ² ... 6 mm ²
2 conductors with the same cross section, flexible, with TWIN ferrule with plastic sleeve	0.5 mm ² ... 6 mm ²
Nominal current	57 A
Maximum load current	76 A (with 16 mm ² conductor cross section)
Nominal voltage	800 V
Nominal cross section	10 mm ²

Dimensions

G 10/ 4 - Device terminal block

2716729

<https://www.phoenixcontact.com/pc/products/2716729>

Dimensional drawing	
Width	57 mm
Height	33 mm
Depth	31 mm
Hole diameter	4.2 mm

Material specifications

Color	gray
Flammability rating according to UL 94	V2
Insulating material group	I
Insulating material	PA
Static insulating material application in cold	-40 °C
Temperature index of insulating material (DIN EN 60216-1 (VDE 0304-21))	125 °C
Relative insulation material temperature index (Elec., UL 746 B)	125 °C

Electrical tests

Surge voltage test

Test voltage setpoint	9.8 kV
Result	Test passed

Temperature-rise test

Requirement temperature-rise test	Increase in temperature ≤ 45 K
Result	Test passed
Short-time withstand current 10 mm ²	1.2 kA
Short-time withstand current 16 mm ²	1.92 kA
Result	Test passed

Power-frequency withstand voltage

Test voltage setpoint	2 kV
Result	Test passed

Mechanical properties

Mechanical data

Open side panel	No
-----------------	----

Mechanical tests

G 10/ 4 - Device terminal block



2716729

<https://www.phoenixcontact.com/pc/products/2716729>

Mechanical strength

Result	Test passed
--------	-------------

Test for conductor damage and slackening

Rotation speed	10 rpm
Revolutions	135
Conductor cross section/weight	0.5 mm ² / 0.3 kg
	10 mm ² / 2 kg
	16 mm ² / 2.9 kg
Result	Test passed

Environmental and real-life conditions

Needle-flame test

Time of exposure	30 s
Result	Test passed

Ambient conditions

Ambient temperature (operation)	-60 °C ... 110 °C (Operating temperature range incl. self-heating; for max. short-term operating temperature, see RTI Elec.)
Ambient temperature (storage/transport)	-25 °C ... 60 °C (for a short time, no longer than 24 h, -60°C to +70°C)
Ambient temperature (assembly)	-5 °C ... 70 °C
Ambient temperature (actuation)	-5 °C ... 70 °C
Permissible humidity (operation)	20 % ... 90 %
Permissible humidity (storage/transport)	30 % ... 70 %

Standards and regulations

Connection in acc. with standard	IEC 60947-7-1
----------------------------------	---------------

Mounting

Mounting type	direct screw connection
---------------	-------------------------

G 10/ 4 - Device terminal block

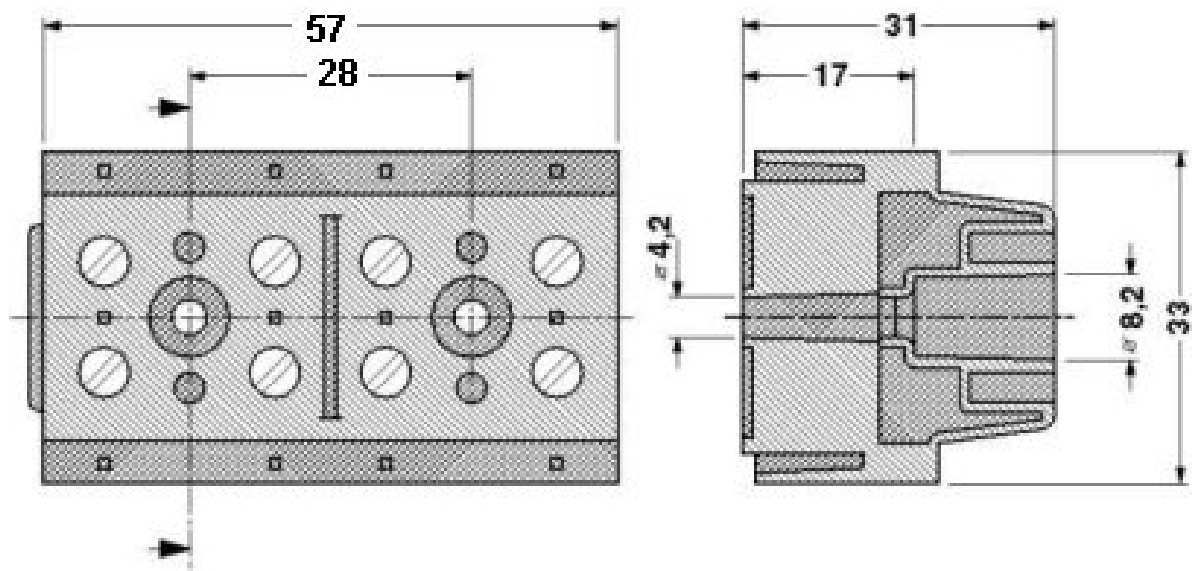
2716729

<https://www.phoenixcontact.com/pc/products/2716729>



Drawings

Dimensional drawing



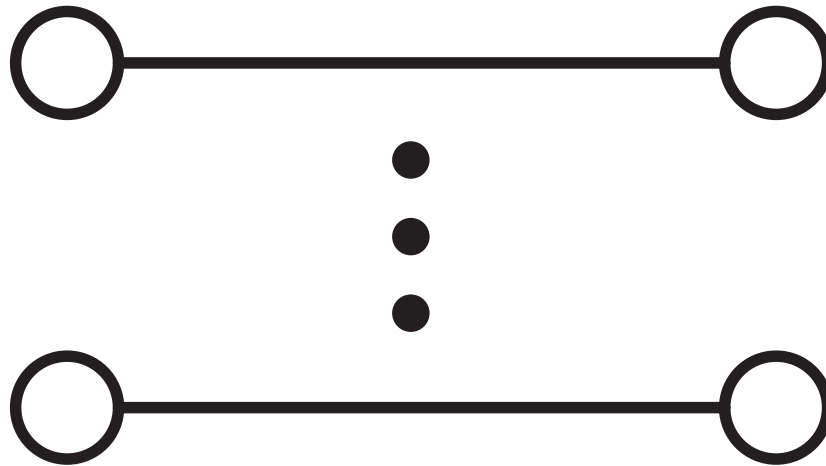
G 10/ 4 - Device terminal block

2716729

<https://www.phoenixcontact.com/pc/products/2716729>



Circuit diagram



G 10/ 4 - Device terminal block





2716729

<https://www.phoenixcontact.com/pc/products/2716729>


Approvals

To download certificates, visit the product detail page: <https://www.phoenixcontact.com/pc/products/2716729>

 CSA Approval ID: 13631				
	Nominal voltage U_N	Nominal current I_N	Cross section AWG	Cross section mm^2
	600 V	65 A	24 - 6	-

 EAC Approval ID: RU C-DE.BL08.B.00534				
---	--	--	--	--

CCA Approval ID: NTR-NL 3078				
	Nominal voltage U_N	Nominal current I_N	Cross section AWG	Cross section mm^2
	800 V	-	-	- 10

 cULus Recognized Approval ID: E60425				
	Nominal voltage U_N	Nominal current I_N	Cross section AWG	Cross section mm^2
Use group B				
	600 V	65 A	24 - 6	-
Multi-conductor connection	600 V	65 A	- 8	-
Use group C				
	600 V	65 A	24 - 6	-
Multi-conductor connection	600 V	65 A	- 8	-
Use group F				
	800 V	65 A	24 - 6	-
Use group D				
	600 V	5 A	24 - 6	-

G 10/ 4 - Device terminal block



2716729

<https://www.phoenixcontact.com/pc/products/2716729>

Classifications

ECLASS

ECLASS-11.0	27141106
ECLASS-13.0	27141106
ECLASS-12.0	27141106

ETIM

ETIM 9.0	EC001284
----------	----------

UNSPSC

UNSPSC 21.0	39121400
-------------	----------

G 10/ 4 - Device terminal block

2716729

<https://www.phoenixcontact.com/pc/products/2716729>



Environmental product compliance

China RoHS	Environmentally friendly use period: unlimited = EFUP-e
	No hazardous substances above threshold values

G 10/ 4 - Device terminal block

2716729

<https://www.phoenixcontact.com/pc/products/2716729>



Accessories

BN WH - Marker for terminal blocks

1401404

<https://www.phoenixcontact.com/pc/products/1401404>



Marker for terminal blocks, Stud, white, unlabeled, can be labeled with: Marker pen, mounting type: plug in, for terminal block width: 4.2 mm, lettering field size: 4 x 4 mm

SZS 1,0X4,0 VDE - Screwdriver

1205066

<https://www.phoenixcontact.com/pc/products/1205066>



Screwdriver, slot-headed, VDE insulated, size: 1.0 x 4.0 x 100 mm, 2-component grip, with non-slip grip

Phoenix Contact 2024 © - all rights reserved

<https://www.phoenixcontact.com>

PHOENIX CONTACT GmbH & Co. KG

Flachsmarktstraße 8

D-32825 Blomberg

+49 (0) 5235-3 00

info@phoenixcontact.com