



AMP | Multilock Connector System

TE Internal #: 282994-2

Multilock Connector System, Housing for Male Terminals, Wire-to-Wire, 20 Position, .138 in / .217 in [3.5 mm / 5.5 mm] Centerline, Black, Signal

[View on TE.com >](#)

Connectors > Automotive Connectors > Connector Housings > MULTILOCK, CONNECTOR HOUSING



Connector & Housing Type: **Housing for Male Terminals**

Mating Tab Width: 1.7 mm [.067 in]

Connector System: **Wire-to-Wire**

Number of Positions: 20

Centerline (Pitch): 3.5 mm, 5.5 mm [.138 in, .217 in]

[All MULTILOCK, CONNECTOR HOUSING \(575\)](#)

Features

Product Type Features

Connector & Housing Type	Housing for Male Terminals
Connector System	Wire-to-Wire
Sealable	No
Hybrid Connector	No
Primary Locking Feature	Integrated in Housing

Configuration Features

Number of Positions	20
Number of Rows	2

Electrical Characteristics

Operating Voltage	24 VDC
Nominal Voltage Architecture	12 V, 24 V

Body Features



Cable Exit Angle	180°
Body Material	PA GF
Primary Product Color	Black

Contact Features

Mating Tab Width	1.7 mm[.067 in]
------------------	-----------------

Mechanical Attachment

Mounting Feature	Without
Terminal Position Assurance	Yes
Strain Relief	No
Mating Alignment Type	Polarized

Housing Features

Centerline (Pitch)	3.5 mm, 5.5 mm[.138 in][.217 in]
--------------------	----------------------------------

Dimensions

Product Width	19.5 mm[.768 in]
Product Length	49.5 mm[1.949 in]
Product Height	31.4 mm[1.236 in]
Row-to-Row Spacing	5.5 mm[.217 in]

Usage Conditions

Operating Temperature (Max)	70 °C, 75 °C, 80 °C, 85 °C, 90 °C, 100 °C, 105 °C[158 °F][167 °F][176 °F][185 °F][194 °F][212 °F][221 °F]
Operating Temperature Range	-30 – 105 °C[-22 – 221 °F]

Operation/Application

Circuit Application	Signal
---------------------	--------

Packaging Features

Packaging Quantity	700
Packaging Method	Box

Other

Serviceable	Yes
Connector Position Assurance Capable	No

Product Compliance

For compliance documentation, visit the product page on [TE.com](https://www.te.com)>

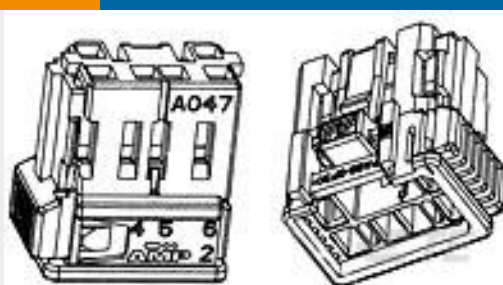


EU RoHS Directive 2011/65/EU	Compliant
EU ELV Directive 2000/53/EC	Compliant
China RoHS 2 Directive MIIT Order No 32, 2016	No Restricted Materials Above Threshold
EU REACH Regulation (EC) No. 1907/2006	Current ECHA Candidate List: JAN 2022 (223) Candidate List Declared Against: JAN 2022 (223) Does not contain REACH SVHC
Halogen Content	Low Halogen - Br, Cl, F, I < 900 ppm per homogenous material. Also BFR/CFR/PVC Free
Solder Process Capability	Not applicable for solder process capability

Product Compliance Disclaimer

This information is provided based on reasonable inquiry of our suppliers and represents our current actual knowledge based on the information they provided. This information is subject to change. The part numbers that TE has identified as EU RoHS compliant have a maximum concentration of 0.1% by weight in homogenous materials for lead, hexavalent chromium, mercury, PBB, PBDE, DBP, BBP, DEHP, DIBP, and 0.01% for cadmium, or qualify for an exemption to these limits as defined in the Annexes of Directive 2011/65/EU (RoHS2). Finished electrical and electronic equipment products will be CE marked as required by Directive 2011/65/EU. Components may not be CE marked. Additionally, the part numbers that TE has identified as EU ELV compliant have a maximum concentration of 0.1% by weight in homogenous materials for lead, hexavalent chromium, and mercury, and 0.01% for cadmium, or qualify for an exemption to these limits as defined in the Annexes of Directive 2000/53/EC (ELV). Regarding the REACH Regulation, the information TE provides on SVHC in articles for this part number is based on the latest European Chemicals Agency (ECHA) 'Guidance on requirements for substances in articles' posted at this URL: <https://echa.europa.eu/guidance-documents/guidance-on-reach>

Compatible Parts



TE Part # 282991-2
CONN.NEW GEN.F. TRUCK



TE Part # CAT-M9194-T273
MULTILOCK, RECEPTACLE AND TAB



TE Part # 1745069-1
HOLDER FOR 070 NEW GEN. 6-21
POS JPT/MCP

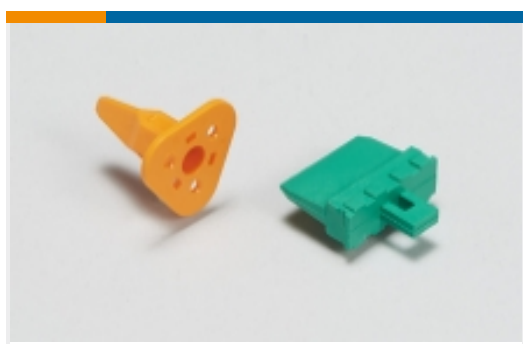
Also in the Series | Multilock Connector System



Automotive Connector Caps & Covers (16)



Automotive Connector EMC Shielding (1)



Automotive Connector Locks & Position Assurance(2)



Automotive Housings(574)



Automotive Seals & Cavity Plugs(2)



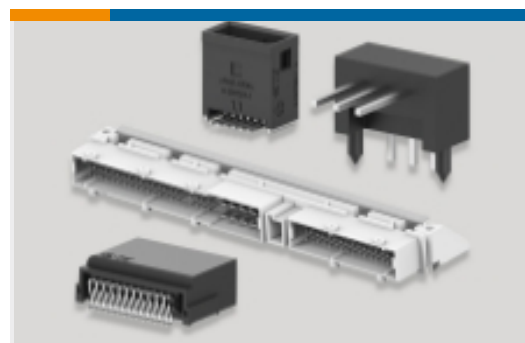
Automotive Terminals(142)



Insertion & Extraction Tools(6)



Other Automotive Connector Accessories(9)

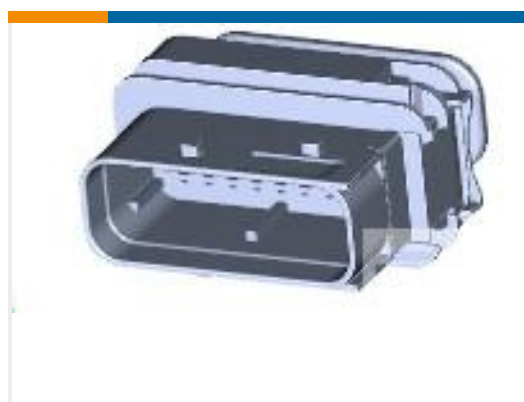


PCB Headers & Receptacles(137)

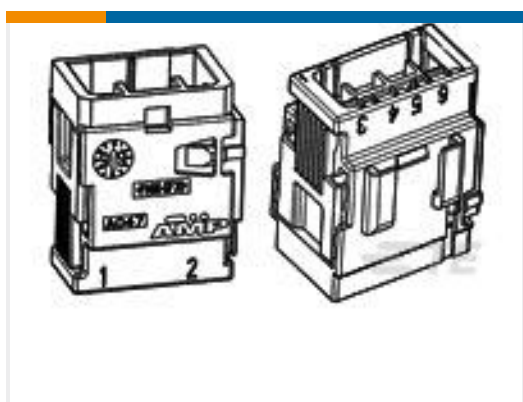
Customers Also Bought



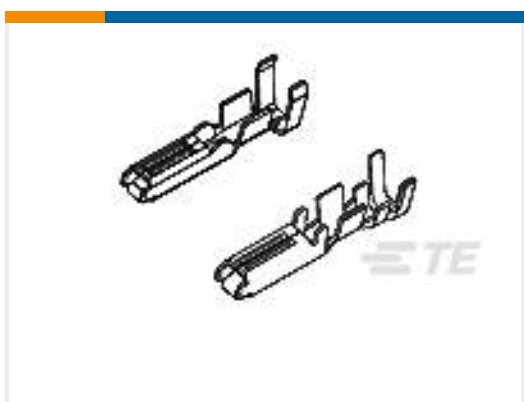
TE Part #1-965640-1
TIMER, CONNECTOR HOUSING



TE Part #1-1564530-1
15POS, MIXED,TAB HSG,ASSY



TE Part #282993-3
TAB CONN.NEW GEN.F.TRUCK



TE Part #282375-1
070 MULTILOCK RCPT CONT



TE Part #710036-3
XCT 35-10



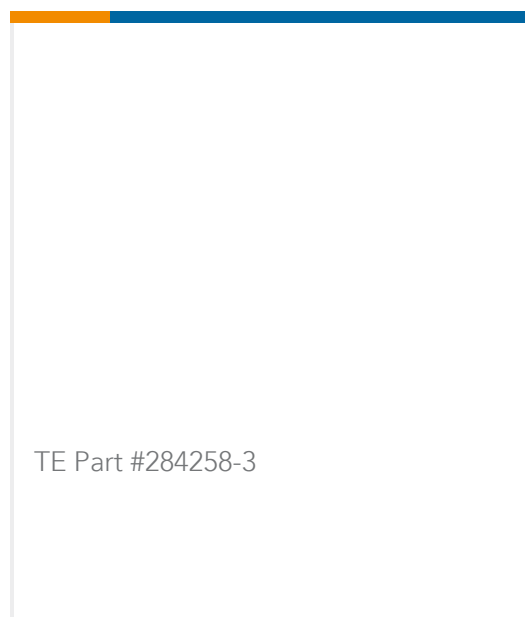
TE Part #284951-1
CABLE COVER FOR 12 POS SEAT AI



TE Part #282362-1
WIRE SEAL



TE Part #284262-1
MINI-MIC TAB CONTACT PRE-TIN.(



Documents

Product Drawings

[TAB CONN.NEW GEN.F.TRUCK](#)

English

CAD Files

[3D PDF](#)

3D

Customer View Model

[ENG_CVM_CVM_282994-2_B.2d_dxf.zip](#)

English

Customer View Model

[ENG_CVM_CVM_282994-2_B.3d_igs.zip](#)

English

Customer View Model

[ENG_CVM_CVM_282994-2_B.3d_stp.zip](#)

English

By downloading the CAD file I accept and agree to the [Terms and Conditions](#) of use.

Datasheets & Catalog Pages

[MULTILOCK Connector System](#)

English

Product Specifications

[NEW GENERATION 070 MULTILOCK CONNECTORS](#)

English

[Product Specification](#)

English

Instruction Sheets

[MULTILOCK 070 NEW GENERATION CONNECTORS](#)

English

[Instruction Sheet \(non U.S.\)](#)

English