

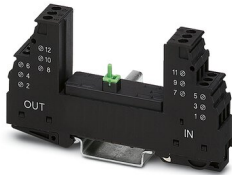
# Surge protection base-element - PT 2X2+F-BE



2839224

<https://www.phoenixcontact.com/gb/products/2839224>

Please be informed that the data shown in this PDF document is generated from our Online Catalog. Please find the complete data in the user documentation. Our General Terms of Use for Downloads are valid.



Base element for protective plug PT with protective circuit for two 2-wire floating signal circuit, gas-filled surge arrester between the connections 3-4 (GND) and 9-10, for mounting on NS 35/7.5 and NS 35/15, housing width: 17.5 mm

## Your advantages

- Maximum ease of maintenance, thanks to the 2-piece design
- Easy selection for all possible demands in MCR applications with a complete product portfolio
- The signal is not influenced during maintenance work, thanks to the impedance-neutral insertion and removal of protective plugs

## Commercial Data

Item number	2839224
Packing unit	10 pc
Minimum order quantity	1 pc
Sales Key	CL2111
Product Key	CL2111
Catalog Page	Page 123 (C-4-2019)
GTIN	4017918182762
Weight per Piece (including packing)	58.2 g
Weight per Piece (excluding packing)	58.2 g
Customs tariff number	85363010
Country of origin	DE

# Surge protection base-element - PT 2X2+F-BE

2839224

<https://www.phoenixcontact.com/gb/products/2839224>

## Technical Data

### Notes

Notes on operation	In the base elements <b>PT...+F-BE</b> , the connections 9/10 (GND) are linked to the mounting foot via a gas-filled surge arrester.
--------------------	--

### Product properties

Type	Base element, DIN rail mounting
Product type	Base element
Number of positions	4
Surge protection fault message	none
Wire pairs per module	2

### Insulation characteristics

Overvoltage category	III
Pollution degree	2

### Connection data

Connection method	Screw connection
Screw thread	M3
Tightening torque	0.5 Nm
Conductor cross section flexible	0.2 mm <sup>2</sup> ... 2.5 mm <sup>2</sup>
Conductor cross section solid	0.2 mm <sup>2</sup> ... 4 mm <sup>2</sup>
Conductor cross section AWG	24 ... 12

### Dimensions

Dimensional drawing	
Width	17.7 mm
Width	17.7 mm
Height	90 mm
Height	90 mm
Depth	51.5 mm (incl. DIN rail 7.5 mm)
Depth	51.5 mm
Horizontal pitch	1 Div.

### Material specifications

Color	jet black RAL 9005
Flammability rating according to UL 94	V-0
Housing material	PA 6.6

# Surge protection base-element - PT 2X2+F-BE



2839224

<https://www.phoenixcontact.com/gb/products/2839224>

## Mechanical properties

### Mechanical data

Open side panel	No
-----------------	----

## Protective circuit

Direction of action	Signal Ground/Shield-Earth Ground
Maximum continuous voltage $U_C$	40 V DC
	28 V AC
Rated current	450 mA (45 °C)
Resistance per path	2.2 $\Omega$ $\pm$ 10 %
Surge protection fault message	none
Max. required back-up fuse	500 mA (T)

## Environmental and real-life conditions

### Ambient conditions

Degree of protection	IP20
Ambient temperature (operation)	-40 °C ... 85 °C
Ambient temperature (storage/transport)	-40 °C ... 85 °C
Altitude	$\leq$ 2000 m (amsl (above mean sea level))

## Standards and regulations

### Air clearances and creepage distances

Standards/regulations	VDE 0110-1
Standards/specifications	IEC 61643-21
Standards/specifications	EN 61643-21

## Mounting

Mounting type	DIN rail: 35 mm
---------------	-----------------

# Surge protection base-element - PT 2X2+F-BE

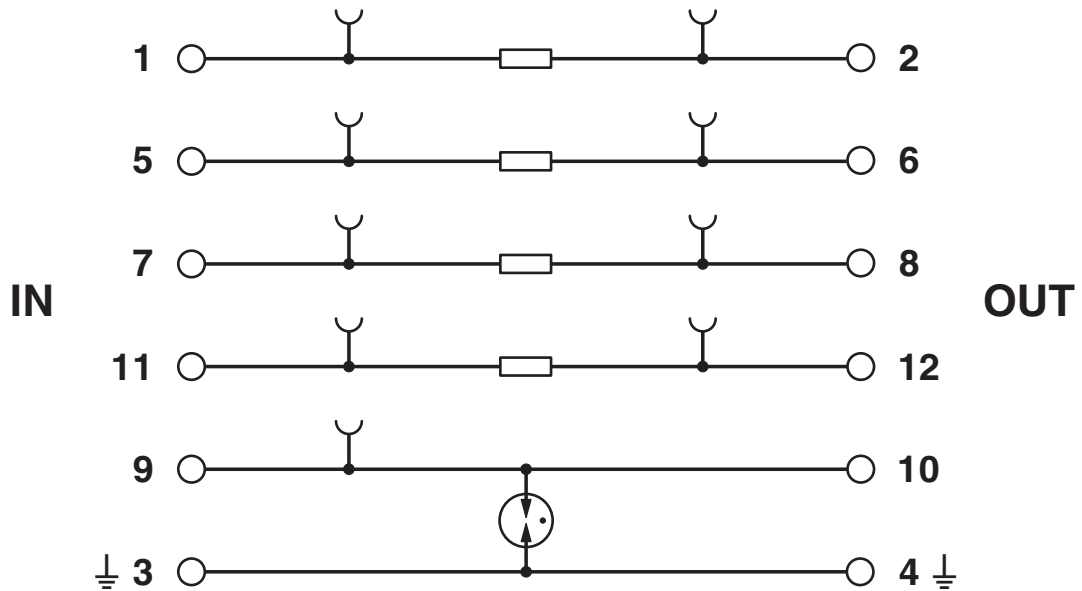


2839224

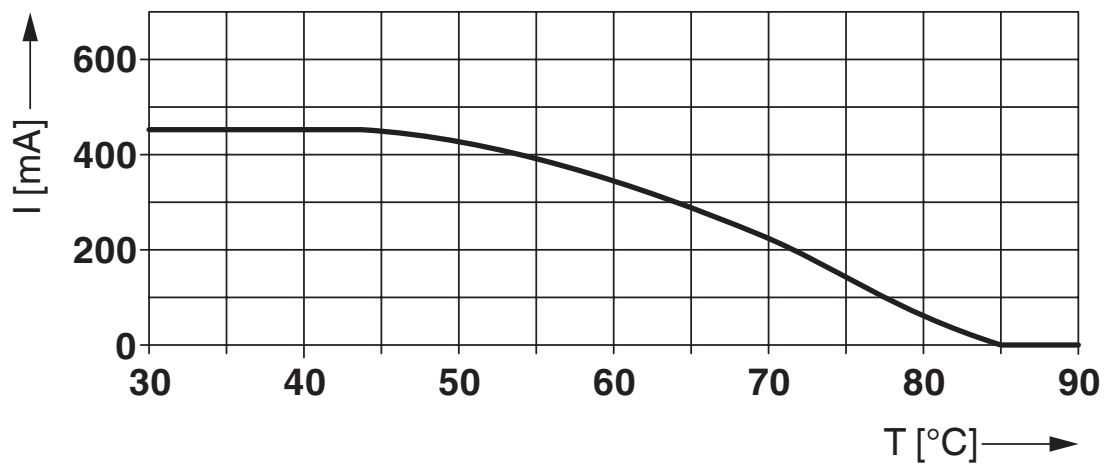
<https://www.phoenixcontact.com/gb/products/2839224>

## Drawings

Circuit diagram



Diagram



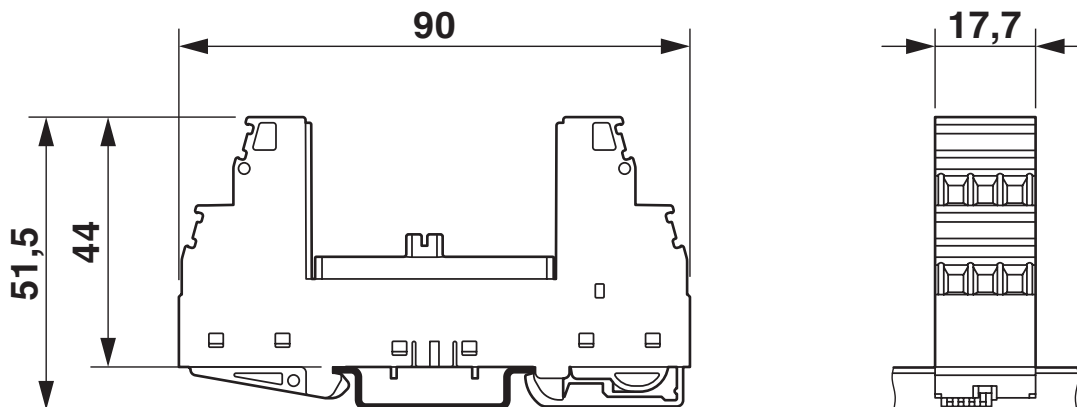
# Surge protection base-element - PT 2X2+F-BE

2839224

<https://www.phoenixcontact.com/gb/products/2839224>



Dimensional drawing



# Surge protection base-element - PT 2X2+F-BE



2839224

<https://www.phoenixcontact.com/gb/products/2839224>

## Approvals



**EAC**

Approval ID: EAC-Zulassung



**DNV GL**

Approval ID: TAE00001N6

Nominal Voltage  $U_N$

Nominal Current  $I_N$

Cross Section AWG

Cross Section  $\text{mm}^2$

-

-



**EAC**

Approval ID: RU C-DE.\*09.B.00169



**UL Listed**

Approval ID: FILE E 138168



**cUL Listed**

Approval ID: FILE E 333250



**UL Listed**

Approval ID: FILE E 333250



**ATEX**

Approval ID: 2856113\_Ex-n

**cULus Listed**

# Surge protection base-element - PT 2X2+F-BE



2839224

<https://www.phoenixcontact.com/gb/products/2839224>

## Classifications

### ECLASS

ECLASS-9.0	27130803
ECLASS-10.0.1	27130803
ECLASS-11.0	27130803

### ETIM

ETIM 8.0	EC000472
----------	----------

### UNSPSC

UNSPSC 21.0	39121600
-------------	----------

# Surge protection base-element - PT 2X2+F-BE



2839224

<https://www.phoenixcontact.com/gb/products/2839224>

## Environmental Product Compliance

China RoHS	Environmentally friendly use period: unlimited = EFUP-e
	No hazardous substances above threshold values



# Surge protection base-element - PT 2X2+F-BE

2839224

<https://www.phoenixcontact.com/gb/products/2839224>

## Accessories

### Shield connection

Shield connection - SSA 5-10 - 2839512

<https://www.phoenixcontact.com/gb/products/2839512>



Shield fast connection for 5 ... 10 mm cable diameter. Potential connecting cable:  
200 mm, 1 mm<sup>2</sup>, color: black

---

### Shield connection

Shield connection - SSA 3-6 - 2839295

<https://www.phoenixcontact.com/gb/products/2839295>



Shield fast connection for 3 ... 6 mm cable diameter. Potential connecting cable:  
200 mm, 1 mm<sup>2</sup>, color: black

# Surge protection base-element - PT 2X2+F-BE

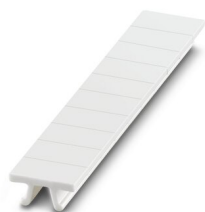
2839224

<https://www.phoenixcontact.com/gb/products/2839224>

## Zack marker strip

Zack marker strip - ZB 5 :UNBEDRUCKT - 1050004

<https://www.phoenixcontact.com/gb/products/1050004>



Zack marker strip, Strip, white, unlabeled, can be labeled with: PLOTMARK, CMS-P1-PLOTTER, mounting type: snapped, for terminal block width: 5.2 mm, lettering field size: 5.1 x 10.5 mm, Number of individual labels: 10

---

## Zack Marker strip, flat

Zack Marker strip, flat - ZBF 5:UNBEDRUCKT - 0808642

<https://www.phoenixcontact.com/gb/products/0808642>



Zack Marker strip, flat, Strip, white, unlabeled, can be labeled with: PLOTMARK, CMS-P1-PLOTTER, mounting type: snapped, for terminal block width: 5 mm, lettering field size: 5.1 x 5.2 mm, Number of individual labels: 10

# Surge protection base-element - PT 2X2+F-BE

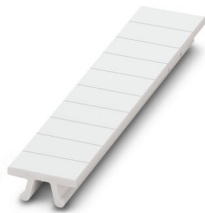
2839224

<https://www.phoenixcontact.com/gb/products/2839224>

## Zack marker strip

Zack marker strip - ZB 5,8:UNBEDRUCKT - 2715209

<https://www.phoenixcontact.com/gb/products/2715209>



Zack marker strip, Strip, white, unlabeled, can be labeled with: PLOTMARK, CMS-P1-PLOTTER, mounting type: snapped, for terminal block width: 5.8 mm, lettering field size: 5.75 x 10.5 mm, Number of individual labels: 10

---

## Marker pen

Marker pen - X-PEN 0,35 - 0811228

<https://www.phoenixcontact.com/gb/products/0811228>



Marker pen without ink cartridge, for manual labeling of markers, labeling extremely wipe-proof, line thickness 0.35 mm

# Surge protection base-element - PT 2X2+F-BE



2839224

<https://www.phoenixcontact.com/gb/products/2839224>

## Marker pen

Marker pen - B-STIFT - 1051993

<https://www.phoenixcontact.com/gb/products/1051993>



Marker pen, for manual labeling of unprinted Zack strips, smear-proof and waterproof, line thickness 0.5 mm

---

Phoenix Contact 2022 © - all rights reserved

<https://www.phoenixcontact.com>

PHOENIX CONTACT Ltd

Halesfield 13, Telford

Shropshire, TF7 4PG

01952 681700

[info@phoenixcontact.co.uk](mailto:info@phoenixcontact.co.uk)