



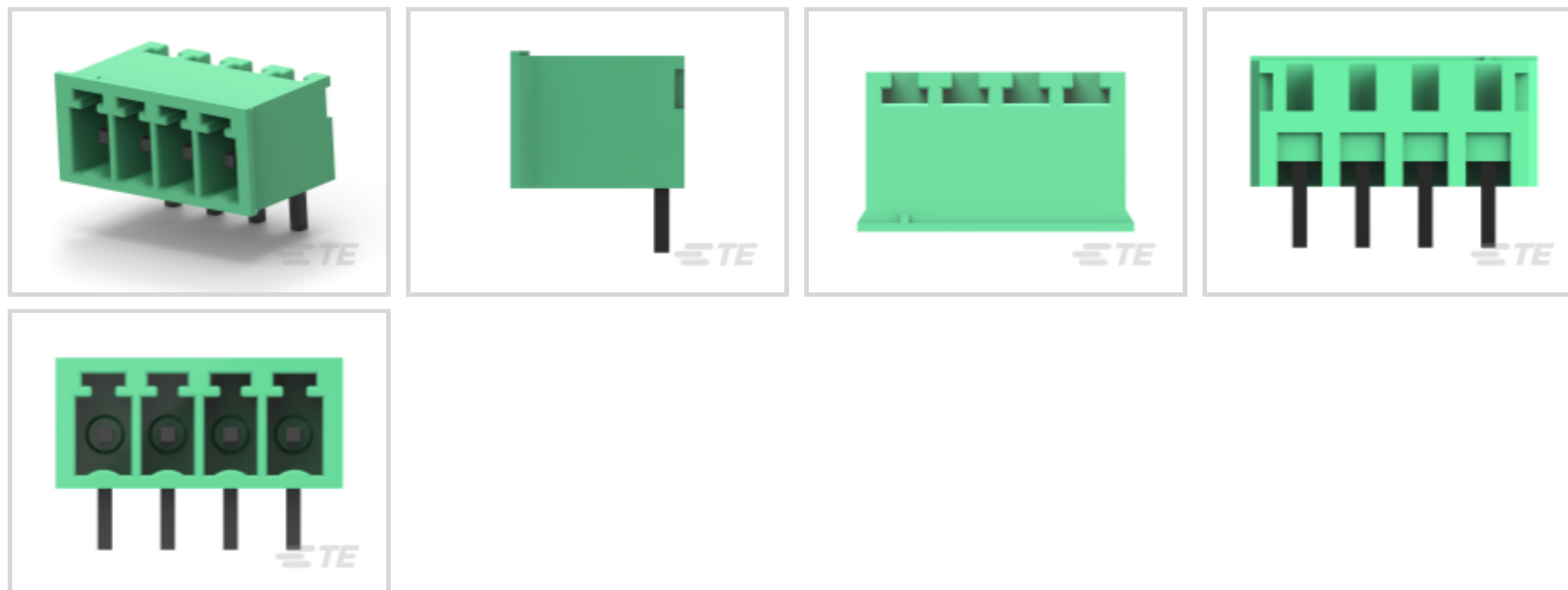
Buchanan

TE Internal #: 284512-2

PCB Terminal Blocks, Header, Wire-to-Board, 2 Position, .138 in [3.5 mm] Centerline, 1 Row, 30 – 14 AWG Wire Size, .05 – 2 mm² Wire Size, 11 A

[View on TE.com >](#)

Connectors > Terminal Blocks & Strips > PCB Terminal Blocks



Terminal Block Connector Type: **Header**

Connector System: **Wire-to-Board**

Number of Positions: **2**

Centerline (Pitch): **3.5 mm [.138 in]**

Number of Rows: **1**

Features

Product Type Features

Block Type	PCB Mount
Header Type	Fully Shrouded
Terminal Block Connector Type	Header
Connector System	Wire-to-Board
Connector & Contact Terminates To	Printed Circuit Board

Configuration Features

Threaded Flange	Without
Closed End	With
Number of Positions	2
Number of Rows	1

Electrical Characteristics

Current Rating (Max)	11 A
Voltage Rating	300 VAC

Body Features



Interlock	Without
-----------	---------

Contact Features

Contact Mating Area Plating Material	Tin
Contact Mount	Through Hole
Contact Base Material	Phosphor Bronze
Contact Current Rating (Max)	11 A

Mechanical Attachment

Mating Angle	90°
Screwless Terminal Block	No
Mounting Angle	Right Angle
Screw Flange	Without
Connector Mounting Type	Board Mount

Housing Features

Housing Color	Green
Housing Material	PA 66
Centerline (Pitch)	3.5 mm [.138 in]

Dimensions

PCB Tail Length	3.4 mm [.134 in]
Wire Size	.05 – 2 mm ²

Usage Conditions

Operating Temperature Range	-40 – 105 °C [-40 – 221 °F]
-----------------------------	-----------------------------

Operation/Application

Circuit Application	Power & Signal
---------------------	----------------

Packaging Features

Packaging Method	Box
Packaging Quantity	300

Product Compliance

For compliance documentation, visit the product page on [TE.com](https://www.te.com)>

EU RoHS Directive 2011/65/EU	Compliant
EU ELV Directive 2000/53/EC	Compliant

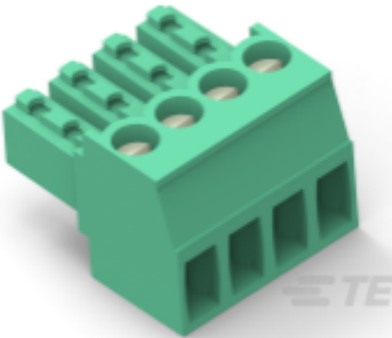
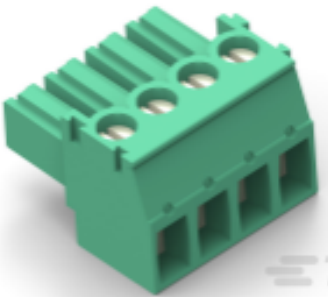
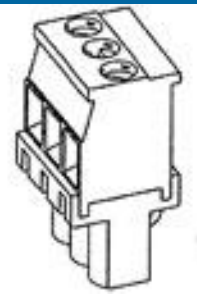
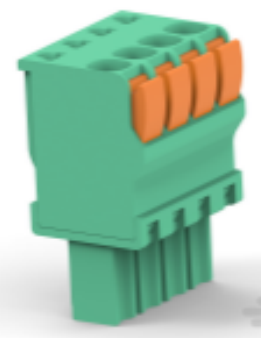
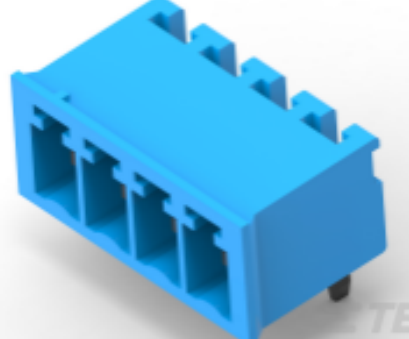
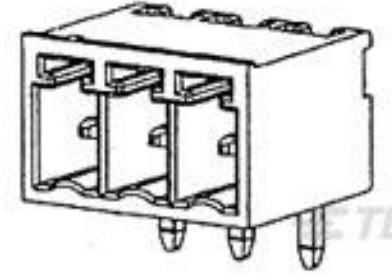
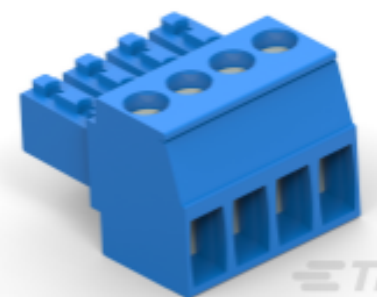


China RoHS 2 Directive MIIT Order No 32, 2016	No Restricted Materials Above Threshold
EU REACH Regulation (EC) No. 1907/2006	Current ECHA Candidate List: JAN 2022 (223) Candidate List Declared Against: JUL 2021 (219) SVHC > Threshold: Not Yet Reviewed
Halogen Content	Low Halogen - Br, Cl, F, I < 900 ppm per homogenous material. Also BFR/CFR/PVC Free
Solder Process Capability	Wave solder capable to 240°C

Product Compliance Disclaimer

This information is provided based on reasonable inquiry of our suppliers and represents our current actual knowledge based on the information they provided. This information is subject to change. The part numbers that TE has identified as EU RoHS compliant have a maximum concentration of 0.1% by weight in homogenous materials for lead, hexavalent chromium, mercury, PBB, PBDE, DBP, BBP, DEHP, DIBP, and 0.01% for cadmium, or qualify for an exemption to these limits as defined in the Annexes of Directive 2011/65/EU (RoHS2). Finished electrical and electronic equipment products will be CE marked as required by Directive 2011/65/EU. Components may not be CE marked. Additionally, the part numbers that TE has identified as EU ELV compliant have a maximum concentration of 0.1% by weight in homogenous materials for lead, hexavalent chromium, and mercury, and 0.01% for cadmium, or qualify for an exemption to these limits as defined in the Annexes of Directive 2000/53/EC (ELV). Regarding the REACH Regulation, the information TE provides on SVHC in articles for this part number is based on the latest European Chemicals Agency (ECHA) 'Guidance on requirements for substances in articles' posted at this URL: <https://echa.europa.eu/guidance-documents/guidance-on-reach>

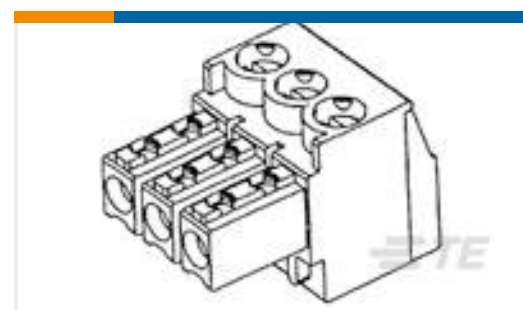
Compatible Parts

 <p>TE Part # 284506-2 2 POS TERMI-BLOK PLUG STACK 3,</p>	 <p>TE Part # 1986371-2 Str Plug, 3.5mm, Green, LH, 2</p>	 <p>TE Part # 1986370-2 Str Plug, 3.5mm, Green, RH, 2</p>	 <p>TE Part # 1986693-2 STR PLUG SPRING TYPE LH 2P, 3.50 mm</p>
 <p>TE Part # 796695-2 2 POS TERMI-BLOK HDR 900 POLAR</p>	 <p>TE Part # 1986692-2 STR PLUG SPRING TYPE RH 2P, 3.50 mm</p>	 <p>TE Part # 1776134-2 2P TERMI-BLOK HDR,HIGH TEMP</p>	 <p>TE Part # 796693-2 2 POS TERMI-BLOK PLUG STACK</p>

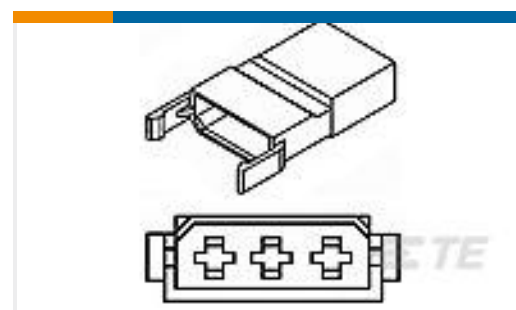
Customers Also Bought



TE Part #324225
PLUG,SHUR PIDG 16-14



TE Part #284506-4
4 POS TERMI-BLOK PLUG STACK 3,



TE Part #925475-1
FF 110 REC HSG 3P NYLON NAT



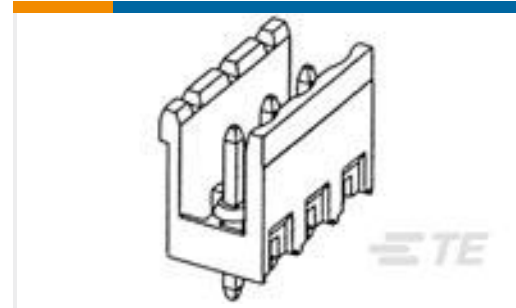
TE Part #6-2176328-1
CRGP 1206 1M0 1%



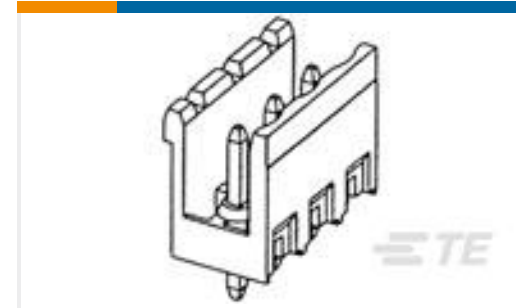
TE Part #967116-2
MESSERLEISTE 18P



TE Part #160309-2
FF 110 TAB 22-20AWG TPBR LP



TE Part #282825-2
TERMI-BLOK HEADER,ASSY90 2P.5,



TE Part #282825-3
TERMI-BLOK HEADER,ASSY90 3P.5,



TE Part #2-1614959-7
CPF0805 1M4 0.1% 25PPM 1K RL

Documents

CAD Files

3D PDF

3D

Customer View Model

[ENG_CVM_CVM_284512-2_C.2d_dxf.zip](#)

English

Customer View Model

[ENG_CVM_CVM_284512-2_C.3d_igs.zip](#)

English

Customer View Model

[ENG_CVM_CVM_284512-2_C.3d_stp.zip](#)

English

3D PDF

3D

Customer View Model

[ENG_CVM_284512-2_E1.3d_igs.zip](#)

English

Customer View Model



[ENG_CVM_284512-2_E1.3d_stp.zip](#)

English

Customer View Model

[ENG_CVM_284512-2_E1.2d_dxf.zip](#)

English

3D PDF

English

By downloading the CAD file I accept and agree to the [Terms and Conditions](#) of use.

Datasheets & Catalog Pages

[Eurostyle Terminal Blocks Focus Product Stock List](#)

English

[BUCHANAN TERMINAL BLOCKS CATALOG - EUROSTYLE TERMINAL BLOCKS](#)

English

[1-1773458-1_EURO_STYLE_TERMINAL_BLOCKS_QRG](#)

English

Product Specifications

[Application Specification](#)

English

Product Environmental Compliance

[MD_284512-2_100920151348_dmtec](#)

English

[MD_284512-2_100920151348_dmtec](#)

English