

Analog module - IB IL AO 1/SF-PAC



2861315

<https://www.phoenixcontact.com/pc/products/2861315>

Please be informed that the data shown in this PDF document is generated from our Online Catalog. Please find the complete data in the user documentation. Our General Terms of Use for Downloads are valid.



Inline, Analog output terminal, Analog output: 1, 0 V ... 10 V, 0 mA ... 20 mA, 4 mA ... 20 mA, connection technology: 2-conductor, transmission speed in the local bus: 500 kbps, degree of protection: IP20, including Inline connectors and marking fields

Product Description

The terminal is designed for use within an Inline station. It is used to output analog current and voltage signals.

Your advantages

- 1 analog output for the connection of either voltage or current signals
- Connection of actuators in 2-conductor technology
- Current ranges: 0 mA ... 20 mA, 4 mA ... 20 mA
- Voltage range: 0 V ... 10 V
- Process data update including conversion time of the digital/analog converter < 1 ms

Commercial Data

Item number	2861315
Packing unit	1 pc
Minimum order quantity	1 pc
Product Key	DRI142
Catalog Page	Page 142 (C-6-2019)
GTIN	4017918894252
Weight per Piece (including packing)	169.4 g
Weight per Piece (excluding packing)	126 g
Customs tariff number	85389091
Country of origin	DE

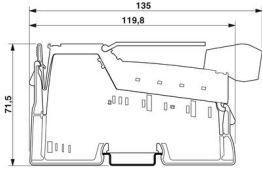
Analog module - IB IL AO 1/SF-PAC

2861315

<https://www.phoenixcontact.com/pc/products/2861315>

Technical Data

Dimensions

Dimensional drawing	
Width	24.4 mm
Height	135 mm
Depth	71.5 mm
Note on dimensions	Housing dimensions

Notes

Utilization restriction

CCCex note	Use in potentially explosive areas is not permitted in China.
------------	---

Material specifications

Color	green
-------	-------

Interfaces

Inline local bus

Number of interfaces	2
Connection method	Inline data jumper
Transmission speed	500 kbps

System properties

Module

ID code (dec.)	125
ID code (hex)	7D
Length code (hex)	01
Length code (dec)	01
Process data channel	16 Bit
Input address area	0 Byte
Output address area	2 Byte
Register length	16 Bit
Required parameter data	4 Byte
Required configuration data	4 Byte

Output data

Analog

Analog module - IB IL AO 1/SF-PAC



2861315

<https://www.phoenixcontact.com/pc/products/2861315>

Output name	Analog output
Connection technology	2-conductor
Note regarding the connection technology	shielded
Number of outputs	1
D/A converter resolution	16 bit
Protective circuit	Transient protection of outputs
Representation of output values	16-bit straight binary
DAC resolution	16 Bit
Process data update	< 1 ms
Current output signal	0 mA ... 20 mA 4 mA ... 20 mA
Load/output load current output	< 500 Ω
Voltage output signal	0 V ... 10 V
Load/output load voltage output	> 2 k Ω

Product properties

Type	modular
Product type	I/O component
Scope of delivery	including Inline connectors and marking fields
Operating mode	Process data mode with one word
Diagnostics messages	Failure of or insufficient communications power U_L I/O error message sent to the bus coupler

Electrical properties

Maximum power dissipation for nominal condition	2.52 W
---	--------

Potentials

Power consumption	typ. 1.425 W (total) max. 1.86 W (total)
-------------------	---

Potentials: Communications power (U_L)

Supply voltage	7.5 V DC (via voltage jumper)
Current draw	max. 40 mA typ. 30 mA

Potentials: Supply of analog modules (U_{ANA})

Supply voltage	24 V DC (via voltage jumper)
Supply voltage range	19.2 V DC ... 30 V DC (including all tolerances, including ripple)
Current draw	max. 65 mA typ. 50 mA

Connection data

Connection technology

Connection name	Inline connector
-----------------	------------------

Conductor connection

Analog module - IB IL AO 1/SF-PAC



2861315

<https://www.phoenixcontact.com/pc/products/2861315>

Connection method	Spring-cage connection
Conductor cross section solid	0.08 mm ² ... 1.5 mm ²
Conductor cross section flexible	0.08 mm ² ... 1.5 mm ²
Conductor cross section AWG	28 ... 16
Stripping length	8 mm

Inline connector

Connection method	Spring-cage connection
Conductor cross section, rigid	0.08 mm ² ... 1.5 mm ²
Conductor cross section, flexible	0.08 mm ² ... 1.5 mm ²
Conductor cross section AWG	28 ... 16
Stripping length	8 mm

Ambient conditions

Ambient temperature (operation)	-25 °C ... 55 °C
Degree of protection	IP20
Air pressure (operation)	70 kPa ... 106 kPa (up to 3000 m above sea level) 80 kPa ... 106 kPa (up to 3000 m above sea level, in ATEX Zone 2)
Air pressure (storage/transport)	70 kPa ... 106 kPa (up to 3000 m above sea level)
Ambient temperature (storage/transport)	-25 °C ... 85 °C
Permissible humidity (operation)	10 % ... 95 % (non-condensing)
Permissible humidity (storage/transport)	10 % ... 95 % (non-condensing)

Standards and regulations

Protection class	III (IEC 61140, EN 61140, VDE 0140-1)
------------------	---------------------------------------

Mounting

Mounting type	DIN rail mounting
---------------	-------------------

Analog module - IB IL AO 1/SF-PAC

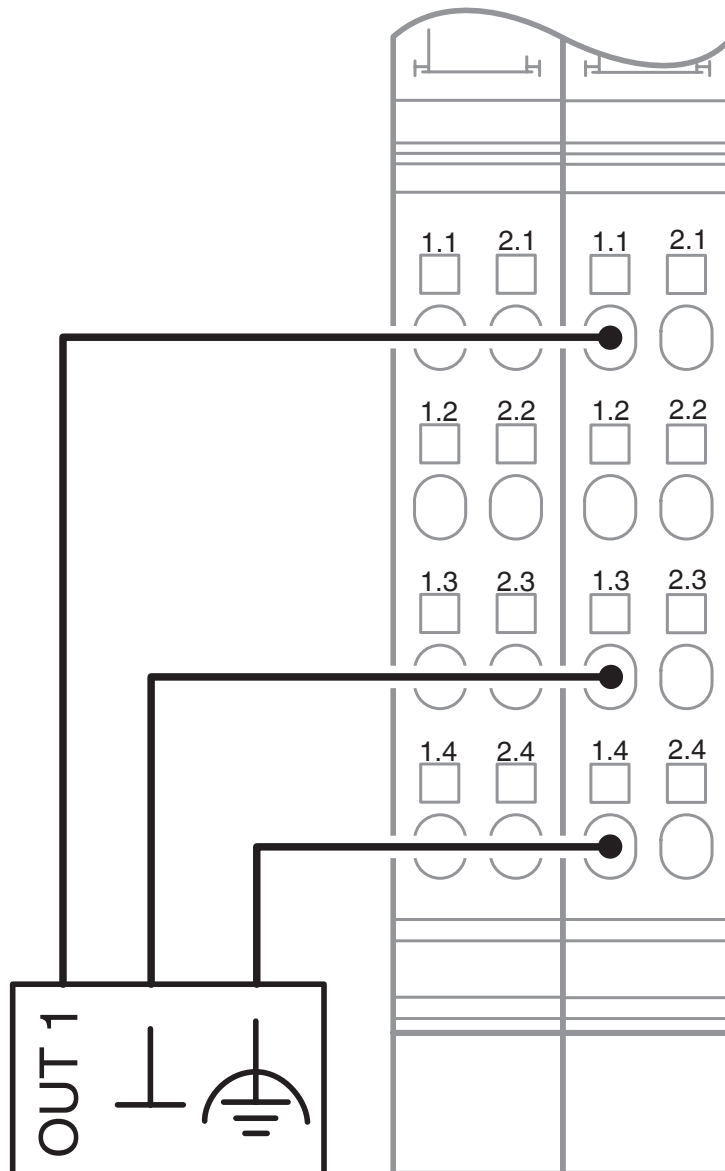
2861315

<https://www.phoenixcontact.com/pc/products/2861315>



Drawings

Connection diagram

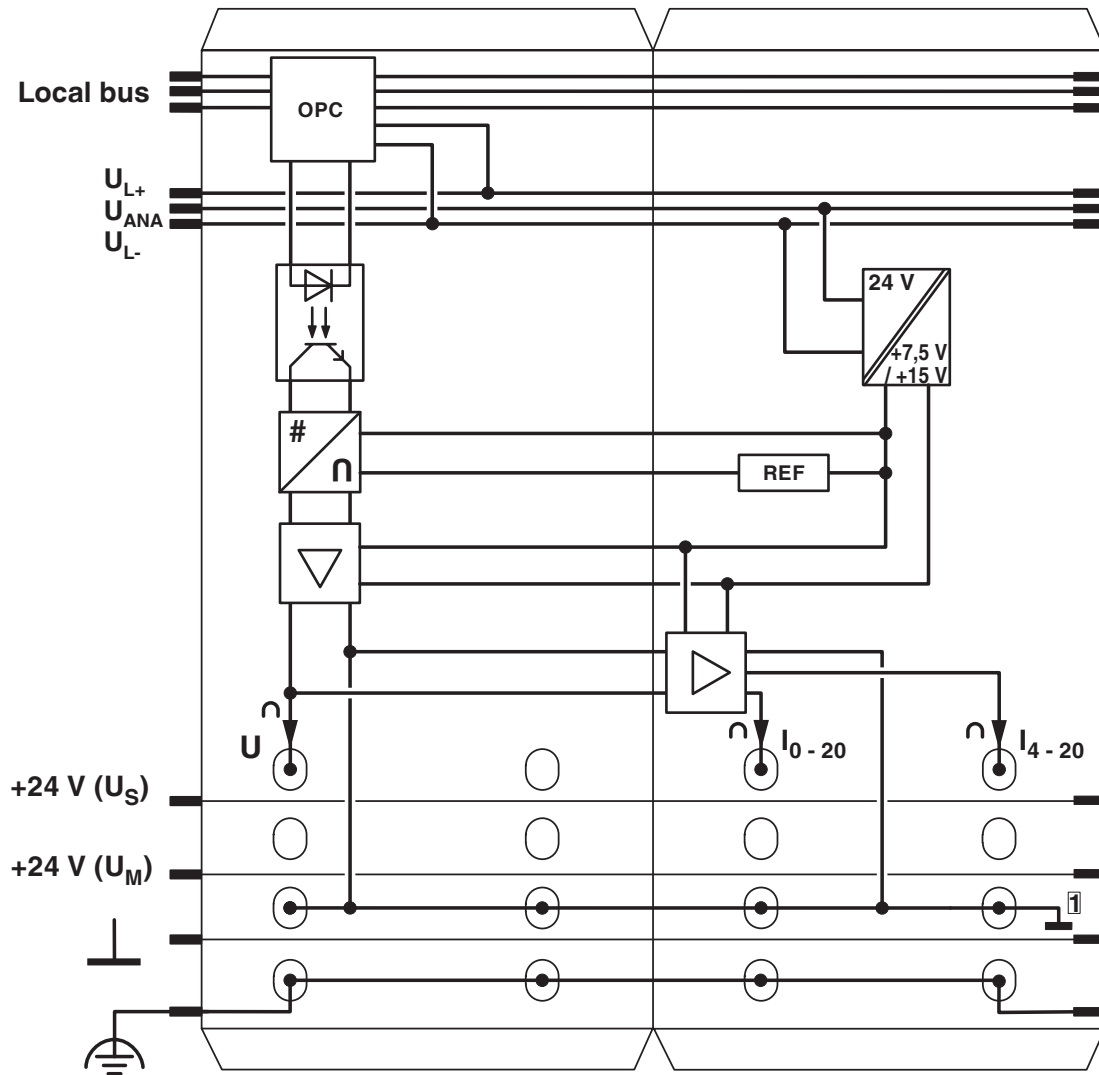


Analog module - IB IL AO 1/SF-PAC

2861315

<https://www.phoenixcontact.com/pc/products/2861315>

Block diagram

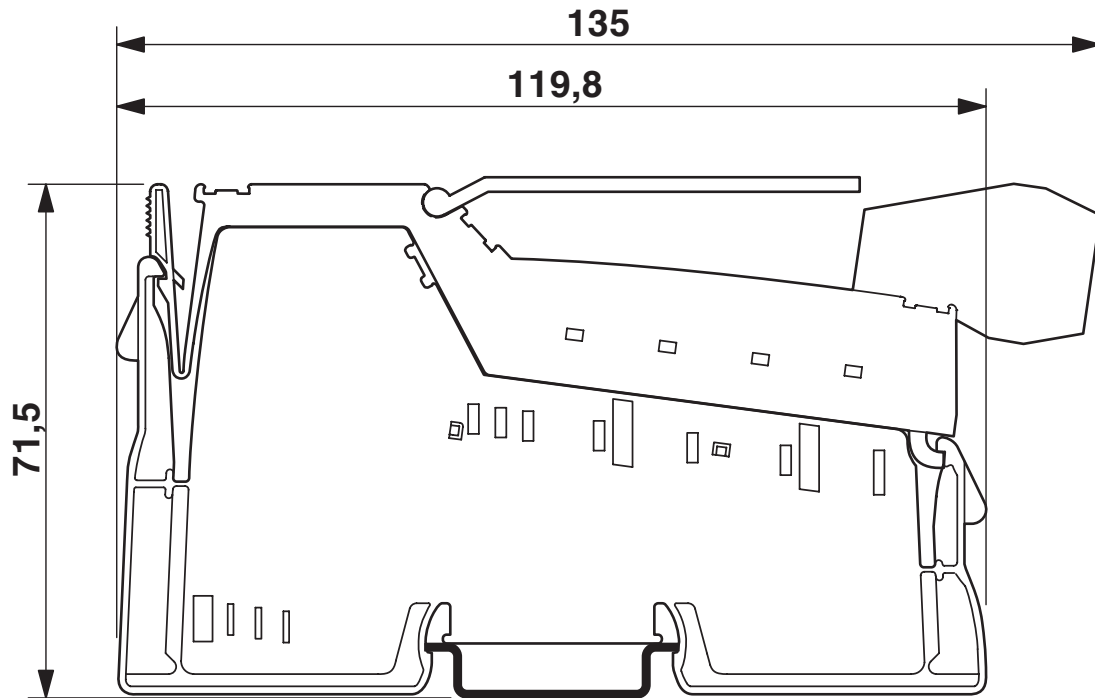


Analog module - IB IL AO 1/SF-PAC

2861315

<https://www.phoenixcontact.com/pc/products/2861315>

Dimensional drawing



Analog module - IB IL AO 1/SF-PAC



2861315

<https://www.phoenixcontact.com/pc/products/2861315>

Approvals



UL Recognized

Approval ID: FILE E 140324



EAC

Approval ID: TR TS_D_01921-19



ATEX

Approval ID: PxCIF04ATEX2726298X



cUL Listed

Approval ID: FILE E 199827



UL Listed

Approval ID: FILE E 199827

cULus Listed

Analog module - IB IL AO 1/SF-PAC



2861315

<https://www.phoenixcontact.com/pc/products/2861315>

Classifications

ECLASS

ECLASS-9.0	27242601
ECLASS-10.0.1	27242601
ECLASS-11.0	27242601
ECLASS-12.0	27242601

ETIM

ETIM 8.0	EC001596
----------	----------

UNSPSC

UNSPSC 21.0	32151600
-------------	----------

Analog module - IB IL AO 1/SF-PAC

2861315

<https://www.phoenixcontact.com/pc/products/2861315>



Environmental Product Compliance

REACH SVHC

Lead 7439-92-1

Analog module - IB IL AO 1/SF-PAC

2861315

<https://www.phoenixcontact.com/pc/products/2861315>



Accessories

Connector set

Connector set - IB IL AO/CNT-PLSET - 2732664

<https://www.phoenixcontact.com/pc/products/2732664>



Connector set

Labeling field

Labeling field - IB IL FIELD 2 - 2727501

<https://www.phoenixcontact.com/pc/products/2727501>



Labeling field, width: 12.2 mm

Analog module - IB IL AO 1/SF-PAC

2861315

<https://www.phoenixcontact.com/pc/products/2861315>



Insert strip

Insert strip - ESL 62X10 - 0809492

<https://www.phoenixcontact.com/pc/products/0809492>

Insert strip, Sheet, white, unlabeled, can be labeled with: Office printing systems:
Laser printer, mounting type: insert, lettering field size: 62 x 10 mm, Number of
individual labels: 72



Inline shield connector

Inline shield connector - IB IL SCN-6 SHIELD - 2726353

<https://www.phoenixcontact.com/pc/products/2726353>

Inline shield connector



Analog module - IB IL AO 1/SF-PAC

2861315

<https://www.phoenixcontact.com/pc/products/2861315>



Inline connector

Inline connector - IB IL SCN-8 - 2726337

<https://www.phoenixcontact.com/pc/products/2726337>

Connector, for digital 1, 2 or 8-channel Inline terminals



Inline connector

Inline connector - IB IL SCN-8-CP - 2727608

<https://www.phoenixcontact.com/pc/products/2727608>

Inline connector, colored



Analog module - IB IL AO 1/SF-PAC

2861315

<https://www.phoenixcontact.com/pc/products/2861315>



Zack Marker strip, flat

Zack Marker strip, flat - ZBF 6:UNBEDRUCKT - 0808710

<https://www.phoenixcontact.com/pc/products/0808710>



Zack Marker strip, flat, Strip, white, unlabeled, can be labeled with: PLOTMARK, CMS-P1-PLOTTER, mounting type: snapped, for terminal block width: 6.2 mm, lettering field size: 5.15 x 6.15 mm, Number of individual labels: 10

Flat zack marker sheet

Flat zack marker sheet - ZBFM 6/WH:UNBEDRUCKT - 0803618

<https://www.phoenixcontact.com/pc/products/0803618>



Flat zack marker sheet, Sheet, white, unlabeled, can be labeled with: CMS-P1-PLOTTER, PLOTMARK, mounting type: snapped, for terminal block width: 6.2 mm, lettering field size: 5 x 5.5 mm, Number of individual labels: 100

Analog module - IB IL AO 1/SF-PAC

2861315

<https://www.phoenixcontact.com/pc/products/2861315>



Marker pen

Marker pen - X-PEN 0,35 - 0811228

<https://www.phoenixcontact.com/pc/products/0811228>



Marker pen without ink cartridge, for manual labeling of markers, labeling extremely wipe-proof, line thickness 0.35 mm

Marker pen

Marker pen - B-STIFT - 1051993

<https://www.phoenixcontact.com/pc/products/1051993>



Marker pen, for manual labeling of unprinted Zack strips, smear-proof and waterproof, line thickness 0.5 mm

Phoenix Contact 2022 © - all rights reserved
<https://www.phoenixcontact.com>

PHOENIX CONTACT GmbH & Co. KG
Flachsmarktstraße 8
D-32825 Blomberg
+49 (0) 5235-3 00
info@phoenixcontact.com