

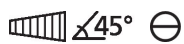
## Product information

# 28 81 280

## Long Reach Needle Nose Pliers

With transverse profiles

DIN ISO 5745



### Long Reach Needle-Nose Pliers with wave profile

- For gripping, adjustment and assembly work in hard to reach areas thanks to slim, very long design
- Deep down situated parts can be easily reached using the slim, half-round tips
- Careful yet reliable gripping, holding and guiding of small copper pipes, screws and cables as well as other round parts thanks to milled grooves with smooth surfaces
- Serrated pipe grip to grip round parts
- Particularly suitable for work in the automotive trade and in mechanical engineering
- Slim yet robust tool
- Forged from special tool steel, oil-hardened and tempered

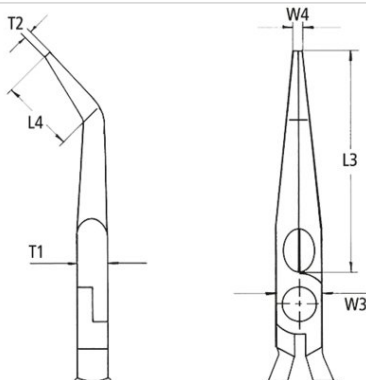


### General

Article No.	28 81 280
EAN	4003773079422
Pliers	black atramentized
Head	polished
Handles	plastic coated
Weight	235 g
Dimensions	280 x 55 x 14 mm
Standard	DIN ISO 5745
Reach	no
RohS	no

### Technical details

Jaw thickness (joint) (T1)	9.0 mm
Tips width (W4)	2.5 mm
Tips thickness (T2)	2.5 mm
Jaw length (L3)	70.0 mm
Head width (W3)	20.0 mm
Gripping surface length (L4)	20 mm



<b>Classification</b>	
eCl@ss 5.1.4	21040301
proficl@ss 6.0	EAB966c007
UNSPSC 13.1	27112108

*technical change and errors excepted*

