

# I/O extension module - RAD-AO4-IFS



2901538

<https://www.phoenixcontact.com/pc/products/2901538>

Please be informed that the data shown in this PDF document is generated from our Online Catalog. Please find the complete data in the user documentation. Our General Terms of Use for Downloads are valid.



Radioline - I/O extension module, 4 analog current or voltage outputs (0/4 mA ... 20 mA, 0 V ... 10 V)

## Your advantages

- Easy startup via thumbwheel
- Channel-to-channel electrical isolation
- Extended temperature range of -40 °C ... +70 °C
- Easy module replacement even during operation (hot swap)
- Approved for use in zone 2

## Commercial Data

Item number	2901538
Packing unit	1 pc
Minimum order quantity	1 pc
Product Key	DNC61D
Catalog Page	Page 383 (C-6-2019)
GTIN	4046356609166
Weight per Piece (including packing)	215 g
Weight per Piece (excluding packing)	174.4 g
Customs tariff number	85177900
Country of origin	DE

# I/O extension module - RAD-AO4-IFS

2901538

<https://www.phoenixcontact.com/pc/products/2901538>



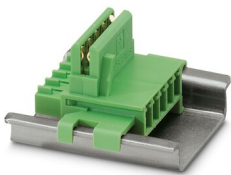
## Set consists of

### DIN rail bus connectors

DIN rail bus connectors - ME 17,5 TBUS 1,5/ 5-ST-3,81 GN - 2709561

<https://www.phoenixcontact.com/pc/products/2709561>

DIN rail connector for DIN rail mounting. Universal for TBUS housing. Gold-plated contacts, 5-pos.



## Technical Data

### Notes

#### Utilization restriction

EMC note	EMC: class A product, see manufacturer's declaration in the download area
----------	---------------------------------------------------------------------------

#### Utilization restriction

CCCex note	Use in potentially explosive areas is not permitted in China.
------------	---------------------------------------------------------------

### Product properties

Product type	Extension module
MTTF	999 Years (SN 29500 standard, temperature 25°C, operating cycle 21%)
	404 Years (SN 29500 standard, temperature 40°C, operating cycle 34.25%)
	156 Years (SN 29500 standard, temperature 40°C, operating cycle 100%)

#### Insulation characteristics

Overvoltage category	II
Degree of pollution	2

### Electrical properties

Electrical isolation	50 V (Rated insulation voltage (in each case between the analog outputs / TBUS supply, reinforced insulation according to EN 61010))
	300 V (Rated insulation voltage (to adjacent devices, basic insulation in accordance with EN 61010))
Test voltage for analog I/Os	1.5 kV AC (50 Hz, 1 min.)
Maximum power dissipation for nominal condition	2.76 W
Transient surge protection	Yes
Supply voltage range	19.2 V DC ... 30.5 V DC (DIN rail connector)
Max. current consumption	≤ 115 mA (At 24 V DC, at 25°C)

### Output data

Output name	Analog outputs
Number of outputs	4
Voltage output signal	0 V ... 10 V
Max. voltage output signal	approx. 10.83 V
Current output signal	0 mA ... 20 mA
	4 mA ... 20 mA
Max. current output signal	approx. 21.67 mA
Load	≥ 10 kΩ
	≤ 500 Ω
Resolution	16 bit

# I/O extension module - RAD-AO4-IFS

2901538

<https://www.phoenixcontact.com/pc/products/2901538>

Precision	≤ 0.02 % (at 25 °C) typ. 0.5 % (Voltage output)
Temperature coefficient, typical	typ. 0.0025 %/K (at -40 °C ... +70 °C)
Protective circuit	Transient protection of outputs

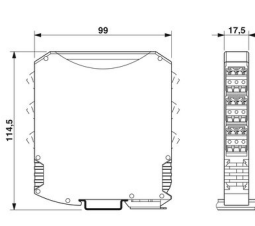
## Connection data

Connection method	Screw connection
Stripping length	7 mm
Conductor cross section solid min.	0.2 mm <sup>2</sup>
Conductor cross section solid max.	2.5 mm <sup>2</sup>
Conductor cross section flexible min.	0.2 mm <sup>2</sup>
Conductor cross section flexible max.	2.5 mm <sup>2</sup>
Conductor cross section AWG min.	24
Conductor cross section AWG max.	14

## LED signaling

Status display	Green LED (supply voltage, PWR)
	Green LED (bus communication, DAT)
	Red LED (periphery error, ERR)

## Dimensions

Dimensional drawing	
Width	17.5 mm
Height	113 mm
Depth	114.5 mm

## Material specifications

Color	green
Flammability rating according to UL 94	V0
Housing material	PA 6.6-FR

## Environmental and real-life conditions

### Ambient conditions

Degree of protection	IP20
Ambient temperature (operation)	-40 °C ... 70 °C (>55°C derating)
	-40 °F ... 158 °F (>131°F derating)
Ambient temperature (storage/transport)	-40 °C ... 85 °C

# I/O extension module - RAD-AO4-IFS



2901538

<https://www.phoenixcontact.com/pc/products/2901538>

	-40 °F ... 185 °F
Altitude	2000 m
Permissible humidity (operation)	20 % ... 85 %
Permissible humidity (storage/transport)	20 % ... 85 %
Shock	16g, 11 ms
Vibration (operation)	in accordance with IEC 60068-2-6: 5g, 10 Hz ... 150 Hz

## Approval data

### CE

Certificate	CE-compliant
-------------	--------------

### EAC

Identification	EAC
----------------	-----

### ATEX

Identification	<input type="checkbox"/> II 3 G Ex nA IIC T4 Gc
Certificate	IBExU 15 ATEX B008 X
Note	Please follow the special installation instructions in the documentation!

### IECEX

Identification	Ex nA IIC T4 Gc
Certificate	IECEX IBE 13.0019X

### EAC Ex

Identification	2Ex nA nC IIC T4 Gc X
Certificate	RU C-DE.HB49.B.00033/20

### UL, USA / Canada

Identification	508 Listed
	Class I, Div. 2, Groups A, B, C, D T4A
	Class I, Zone 2, IIC T4

### KC approval for South Korea

Certificate	R-R-PCK-2901538
-------------	-----------------

### KC-s

Certificate	KTL 20-KA4BO-0148X
-------------	--------------------

### Corrosive gas test

Identification	ISA-S71.04-1985 G3 Harsh Group A
----------------	----------------------------------

## EMC data

Electromagnetic compatibility	Conformance with EMC Directive 2014/30/EU
Noise emission	EN 61000-6-4
Noise immunity	EN 61000-6-2

## Standards and regulations

# I/O extension module - RAD-AO4-IFS



2901538

<https://www.phoenixcontact.com/pc/products/2901538>

Standards/specifications	EN 61000-6-2
Standards/specifications	EN 61000-6-4
Standards/specifications	EN 60079-0
Standards/specifications	EN-60079-15

## Mounting

Assembly instructions	on standard DIN rail NS 35 in accordance with EN 60715
Mounting position	any

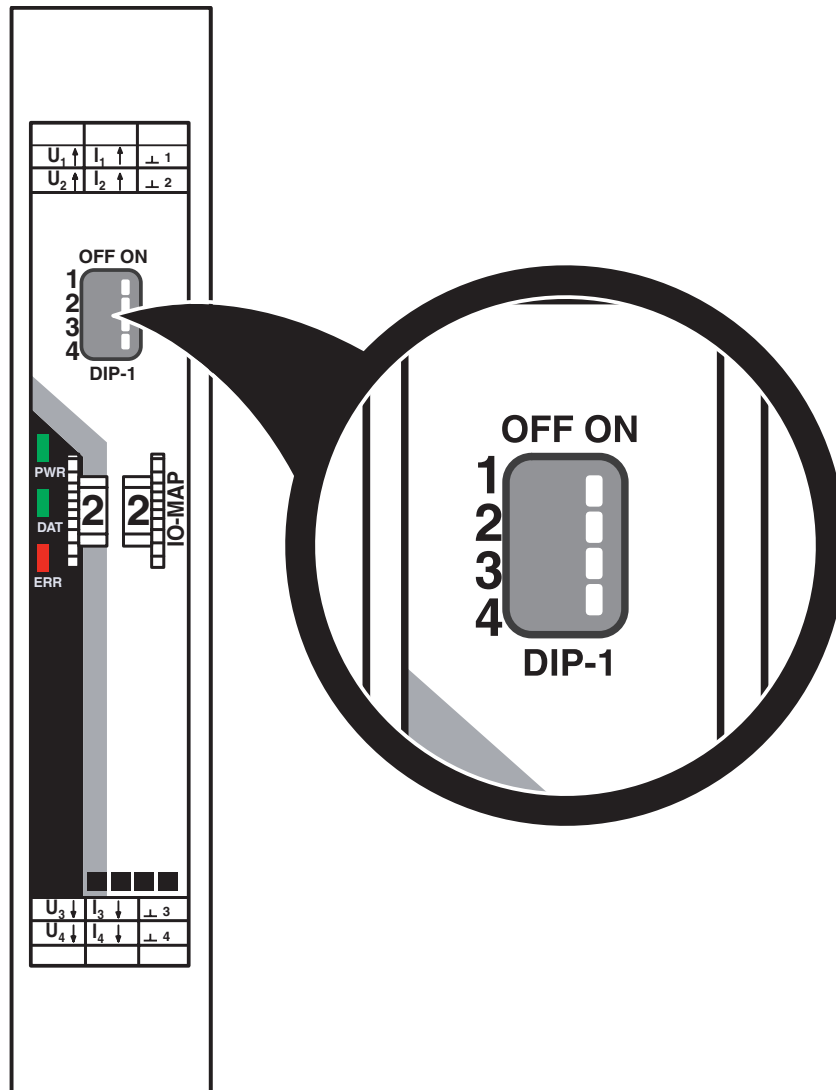
# I/O extension module - RAD-AO4-IFS

2901538

<https://www.phoenixcontact.com/pc/products/2901538>

## Drawings

### Schematic diagram



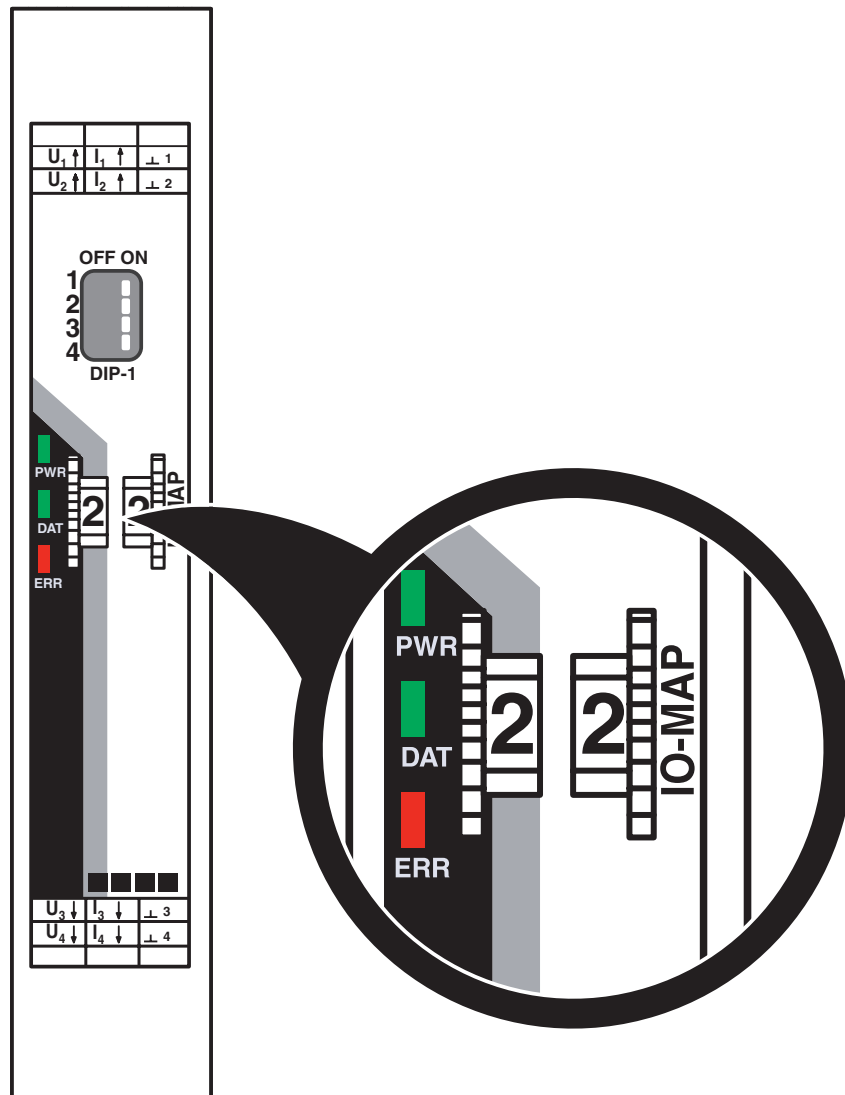
DIP switches

# I/O extension module - RAD-AO4-IFS

2901538

<https://www.phoenixcontact.com/pc/products/2901538>

Schematic diagram



Thumbwheel



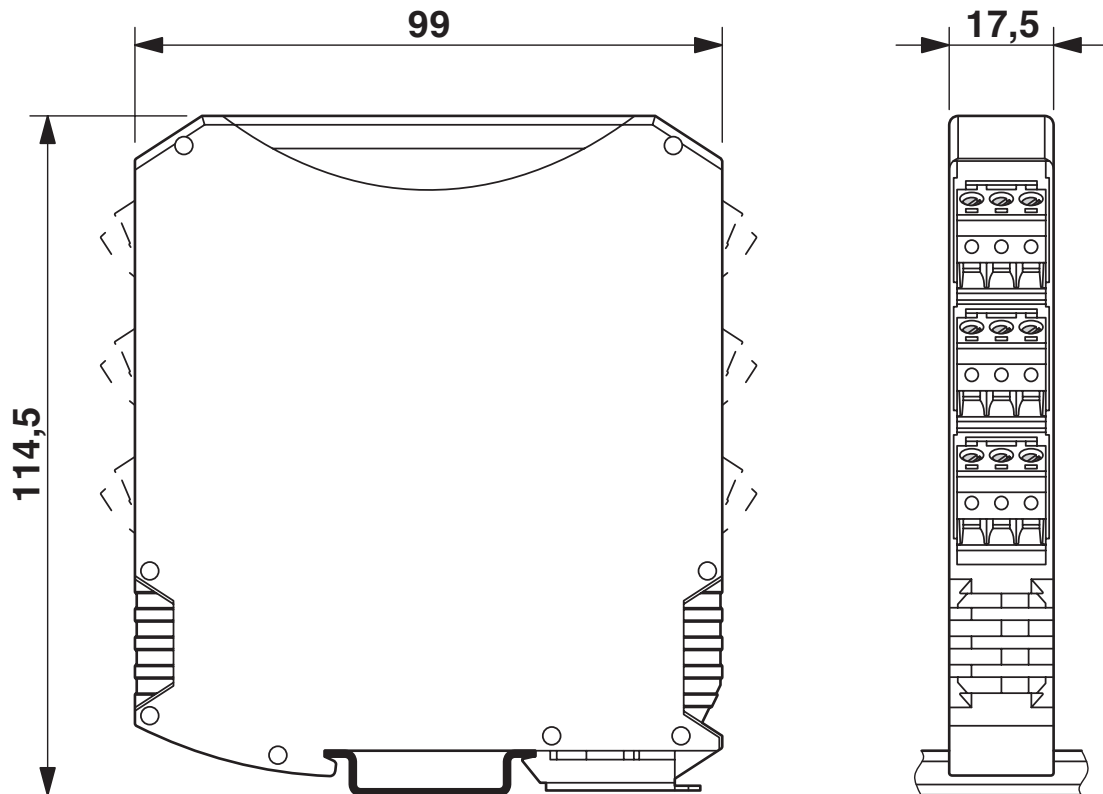
# I/O extension module - RAD-AO4-IFS

2901538

<https://www.phoenixcontact.com/pc/products/2901538>



Dimensional drawing



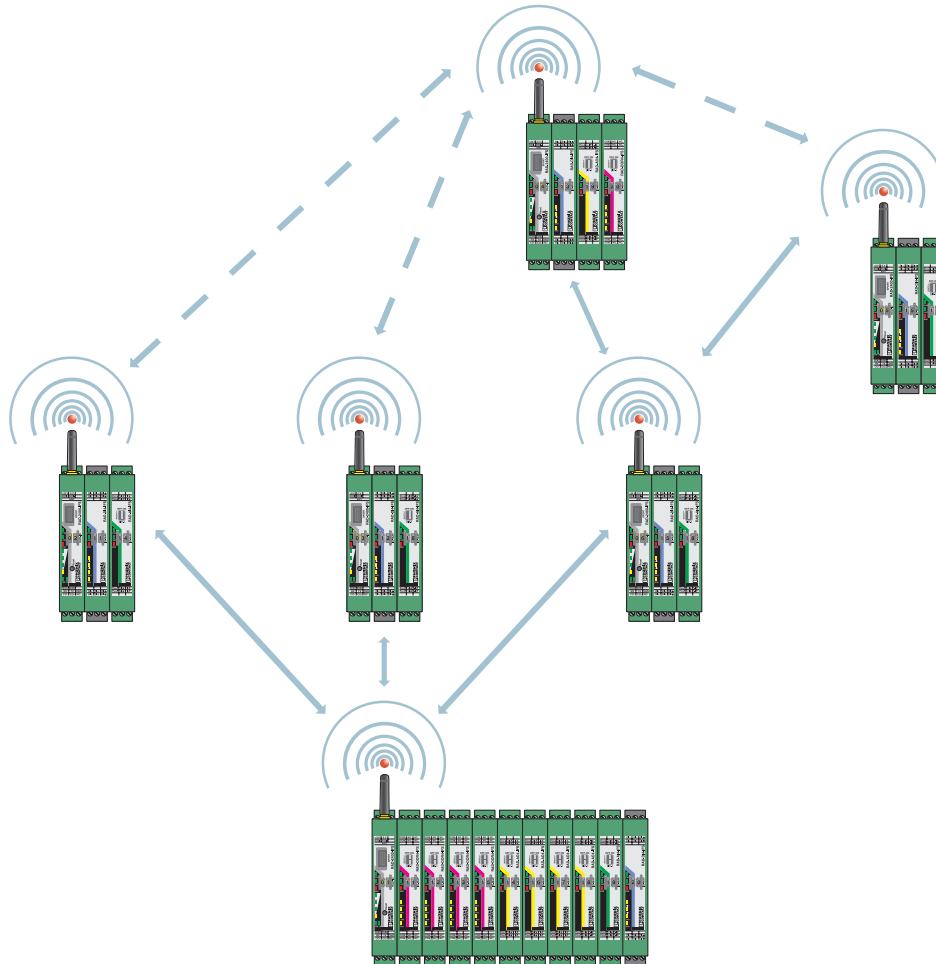
Slim design

# I/O extension module - RAD-AO4-IFS

2901538

<https://www.phoenixcontact.com/pc/products/2901538>

Application drawing



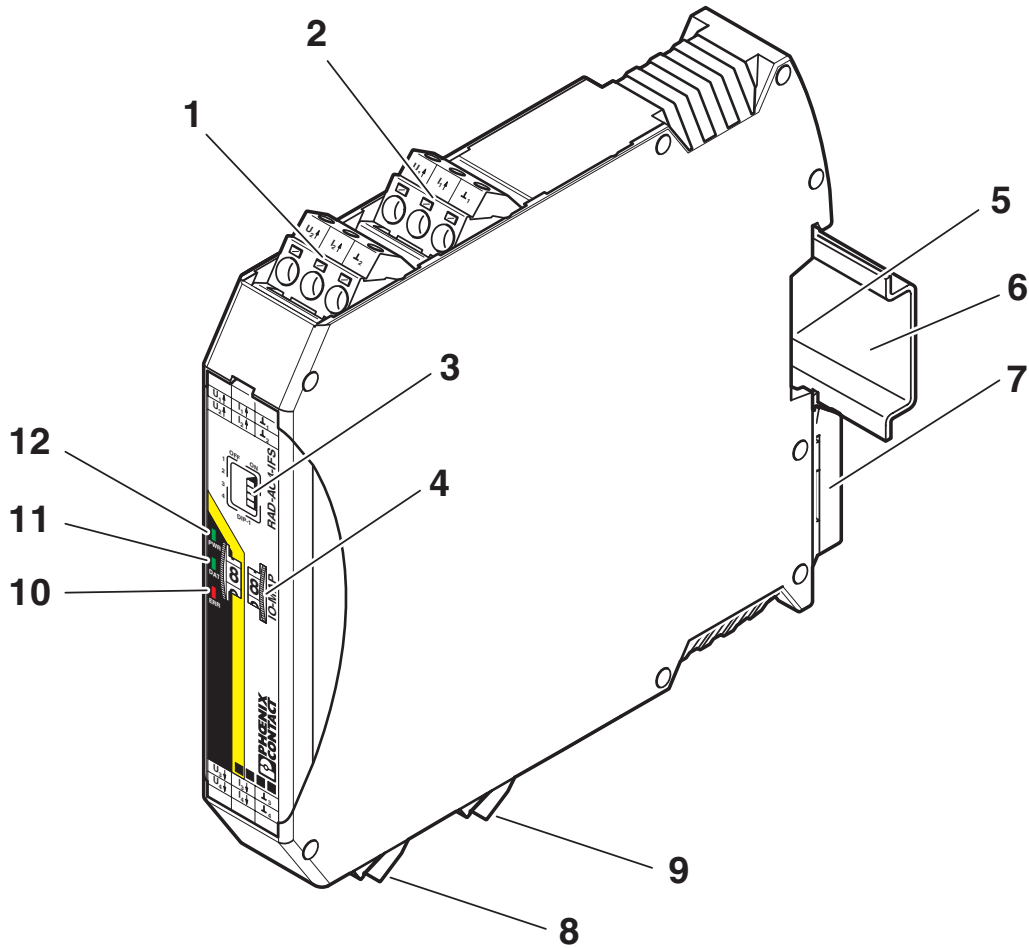
Wireless module in I/O data mode

# I/O extension module - RAD-AO4-IFS

2901538

<https://www.phoenixcontact.com/pc/products/2901538>

Schematic diagram



Function elements



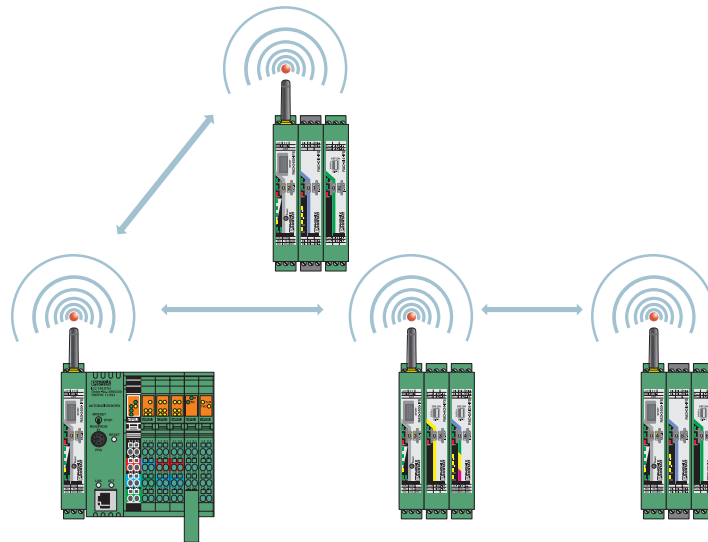
# I/O extension module - RAD-AO4-IFS

2901538

<https://www.phoenixcontact.com/pc/products/2901538>

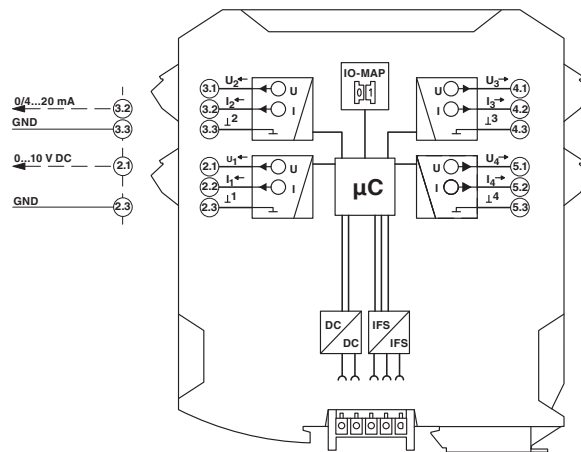


## Application drawing



Wireless module in PLC/Modbus RTU mode

## Circuit diagram



# I/O extension module - RAD-AO4-IFS



2901538

<https://www.phoenixcontact.com/pc/products/2901538>

## Approvals



**UL Listed**

Approval ID: FILE E 238705



**cUL Listed**

Approval ID: FILE E 238705



**KC**

Approval ID: R-R-PCK-2901538



**EAC Ex**

Approval ID: RU\*HB49.B00033/20



**IECEx**

Approval ID: IECEx IBE 13.0019X



**cUL Listed**

Approval ID: FILE E 196811



**UL Listed**

Approval ID: FILE E 196811



**ATEX**

Approval ID: IBEExU 15 ATEX B008 X

**KC-s**

Approval ID: 20-KA4BO-0148X

**cULus Listed**

**cULus Listed**

# I/O extension module - RAD-AO4-IFS



2901538

<https://www.phoenixcontact.com/pc/products/2901538>

## Classifications

### ECLASS

ECLASS-9.0	27242601
ECLASS-10.0.1	27242601
ECLASS-11.0	27242601
ECLASS-12.0	27242601

### ETIM

ETIM 8.0	EC001596
----------	----------

### UNSPSC

UNSPSC 21.0	32151600
-------------	----------

# I/O extension module - RAD-AO4-IFS



2901538

<https://www.phoenixcontact.com/pc/products/2901538>

## Environmental Product Compliance

REACH SVHC	Lead 7439-92-1
China RoHS	Environmentally Friendly Use Period = 50 years
	For information on hazardous substances, refer to the manufacturer's declaration available under "Downloads"



# I/O extension module - RAD-AO4-IFS



2901538

<https://www.phoenixcontact.com/pc/products/2901538>

## Mandatory Accessories

### Wireless module

Wireless module - RAD-2400-IFS - 2901541

<https://www.phoenixcontact.com/pc/products/2901541>



Radioline - 2.4 GHz wireless transceiver with RS-232/RS-485 interface, can be extended with I/O modules, RSMA (female) antenna connection, point-to-point, star, and mesh networks up to 250 stations, range of up to 5 km (with a clear line of sight), for worldwide use

---

### Wireless module

Wireless module - RAD-900-IFS - 2901540

<https://www.phoenixcontact.com/pc/products/2901540>



Radioline - 900 MHz wireless transceiver with RS-232/485 interface, can be extended with I/O modules, RSMA (female) antenna connection, point-to-point, star, and mesh networks up to 250 stations, range of up to 32 km (line of sight), use in North America

# I/O extension module - RAD-AO4-IFS

2901538

<https://www.phoenixcontact.com/pc/products/2901538>



## Wireless module

Wireless module - RAD-868-IFS - 2904909

<https://www.phoenixcontact.com/pc/products/2904909>



Radioline - 868 MHz wireless transceiver with RS-232/RS-485 interface, can be extended with I/O modules, RSMA (female) antenna connection, point-to-point, star, and mesh networks up to 99 stations, range of up to 20 km (with a clear line of sight), for use in Europe

---

## Communication module

Communication module - RAD-RS485-IFS - 2702184

<https://www.phoenixcontact.com/pc/products/2702184>



Radioline - RS-485 multipoint multiplexer, can be extended with I/O modules, can be used as Modbus/RTU bus coupler or can be combined with Radioline wireless system, up to 99 stations, range of up to 1.2 km on in-house copper cables

# I/O extension module - RAD-AO4-IFS

2901538

<https://www.phoenixcontact.com/pc/products/2901538>



## Wireless module

Wireless module - RAD-2400-IFS-JP - 2702863

<https://www.phoenixcontact.com/pc/products/2702863>



Radioline - 2.4 GHz wireless transceiver with RS-232/RS-485 interface, can be extended with I/O modules, RSMA (female) antenna connection, point-to-point, star, and mesh networks up to 250 stations, range of up to 5 km (with a clear line of sight), for use in Japan

---

## Wireless module

Wireless module - RAD-900-IFS-AU - 2702878

<https://www.phoenixcontact.com/pc/products/2702878>



Radioline - 900 MHz wireless transceiver with RS-232/485 interface, can be extended with I/O modules, RSMA (female) antenna connection, point-to-point, star, and mesh networks up to 250 stations, range of up to 32 km (line of sight), for use in Australia.

---

## Accessories

# I/O extension module - RAD-AO4-IFS

2901538

<https://www.phoenixcontact.com/pc/products/2901538>

## I/O extension module

I/O extension module - RAD-AI4-IFS - 2901537

<https://www.phoenixcontact.com/pc/products/2901537>



Radioline - I/O extension module, 4 analog current inputs (0/4 mA ... 20 mA)

---

## I/O extension module

I/O extension module - RAD-PT100-4-IFS - 2904035

<https://www.phoenixcontact.com/pc/products/2904035>



Radioline - I/O extension module, 4 Pt 100 inputs (-50°C ... +250°C / -58 °F ... 482 °F)

# I/O extension module - RAD-AO4-IFS

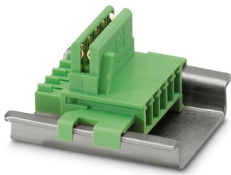
2901538

<https://www.phoenixcontact.com/pc/products/2901538>

## DIN rail bus connectors

DIN rail bus connectors - ME 17,5 TBUS 1,5/ 5-ST-3,81 GN - 2709561

<https://www.phoenixcontact.com/pc/products/2709561>



DIN rail connector for DIN rail mounting. Universal for TBUS housing. Gold-plated contacts, 5-pos.

---

## Multiplexer

Multiplexer - FB-MUX/HS/AIOTEMP/PA - 1005330

<https://www.phoenixcontact.com/pc/products/1005330>



The FB-MUX/HS/AIOTEMP/PA head station can be used with up to three 4-channel analog input modules (RAD-AI4-IFS) or three 4-channel PT100 temperature sensing modules (RAD-PT100-4-IFS), and two 4-channel analog output modules (RAD-AO4-IFS). This configuration can be used as an analog input/output and temperature control solution.

# I/O extension module - RAD-AO4-IFS

2901538

<https://www.phoenixcontact.com/pc/products/2901538>

## I/O extension module

I/O extension module - RAD-AI4-IFS - 2901537

<https://www.phoenixcontact.com/pc/products/2901537>

Radioline - I/O extension module, 4 analog current inputs (0/4 mA ... 20 mA)



---

## I/O extension module

I/O extension module - RAD-PT100-4-IFS - 2904035

<https://www.phoenixcontact.com/pc/products/2904035>

Radioline - I/O extension module, 4 Pt 100 inputs (-50°C ... +250°C / -58 °F ... 482 °F)



---

Phoenix Contact 2022 © - all rights reserved  
<https://www.phoenixcontact.com>

PHOENIX CONTACT GmbH & Co. KG  
Flachsmarktstraße 8  
D-32825 Blomberg  
+49 (0) 5235-3 00  
[info@phoenixcontact.com](mailto:info@phoenixcontact.com)