

Wireless module - RAD-900-IFS



2901540

<https://www.phoenixcontact.com/pc/products/2901540>

Please be informed that the data shown in this PDF document is generated from our Online Catalog. Please find the complete data in the user documentation. Our General Terms of Use for Downloads are valid.



Radioline - 900 MHz wireless transceiver with RS-232/485 interface, can be extended with I/O modules, RSMA (female) antenna connection, point-to-point, star, and mesh networks up to 250 stations, range of up to 32 km (line of sight), use in North America

Product Description

Radioline is the new wireless system for large systems. Special features include extremely easy assignment of inputs and outputs by simply turning the thumbwheel - without any programming. Radioline transmits I/O signals (I/O mode) or serial data (serial mode) and is therefore very versatile. Alternatively, I/O signals can now also be connected to controllers directly using the Modbus protocol (PLC/Modbus RTU mode). In addition, you can implement various network structures: from a simple point-to-point connection to complex mesh networks. Thanks to the latest Trusted Wireless technology, Radioline is the ideal choice for industrial use.

Your advantages

- Quick and easy startup without programming
- High degree of reliability due to Trusted Wireless 2.0 technology (AES encryption, frequency hopping method, and coexistence management)
- Mesh networks of up to 250 devices
- Extended temperature range of -40 °C ... +70 °C
- Range of several kilometers thanks to adjustable data rates for the wireless interface
- Integrated RS-232/RS-485 interface

Commercial Data

Item number	2901540
Packing unit	1 pc
Minimum order quantity	1 pc
Product Key	DNC611
Catalog Page	Page 377 (C-6-2019)
GTIN	4046356610209
Weight per Piece (including packing)	320.8 g
Weight per Piece (excluding packing)	320.8 g
Customs tariff number	85176200
Country of origin	US

Technical Data

Notes

Trade restriction

CE note	The products are offered exclusively for export outside the EU and the European Economic Area.
---------	--

Product properties

Product type	Wireless module
Operating mode	PLC / Modbus RTU dual mode (Activation and configuration via PSI-CONF software)

Insulation characteristics

Overvoltage category	II
Degree of pollution	2

Electrical properties

Transient surge protection	Yes
Supply voltage	24 V DC
Supply voltage range	10.8 V DC ... 30.5 V DC
Max. current consumption	328 mA (@24 V DC)
Nominal power consumption	1.7 W (30 dBm)
Power consumption	8.4 W (peak; 30 dBm)

Output data

Output name	RF link relay output
Number of outputs	1
Contact type	Changeover contact
Contact material	PdRu, gold-plated
Maximum switching voltage	30 V AC/DC
Max. switching current	500 mA
Electrical service life	5x 10 ⁵ switching cycles with 0.5 A at 30 V DC
Output name	RSSI voltage output
Number of outputs	1
Voltage output signal	0 V ... 3 V

Connection data

Connection method	Screw connection
Stripping length	7 mm
Conductor cross section solid min.	0.2 mm ²
Conductor cross section solid max.	2.5 mm ²
Conductor cross section flexible min.	0.2 mm ²
Conductor cross section flexible max.	2.5 mm ²
Conductor cross section AWG min.	24

Wireless module - RAD-900-IFS



2901540

<https://www.phoenixcontact.com/pc/products/2901540>

Conductor cross section AWG max.	14
----------------------------------	----

Interfaces

Wireless

Range	± 32 km (The range may be considerably above or below that stated, and depends on the environment, antenna technology, and the product used)
-------	--

Serial: RS-232

Data rate	300 bps / 600 bps / 1.2 kbps / 2.4 kbps / 4.8 kbps / 9.6 kbps / 19.2 kbps / 38.4 kbps / 57.6 kbps / 93.75 kbps / 115.2 kbps
Connection method	COMBICON plug-in screw terminal block D-SUB-9 female connector
Connection technology	3-conductor

Serial: RS-485

Data rate	300 bps / 600 bps / 1.2 kbps / 2.4 kbps / 4.8 kbps / 9.6 kbps / 19.2 kbps / 38.4 kbps / 57.6 kbps / 93.75 kbps / 115.2 kbps / 187.5 kbps
Connection method	COMBICON plug-in screw terminal block
Connection technology	2-conductor
Termination resistor	390 Ω (switchable via DIP switches) 150 Ω (switchable via DIP switches) 390 Ω (switchable via DIP switches)

Serial: Configuration interface

Connection method	S-PORT (socket)
Interface description	Trusted Wireless
Direction	Bi-directional
Frequency	900 MHz
Frequency range	902 MHz ... 928 MHz
Transmission power	max. 1 W (adjustable)
Data rate	16 kbps (adjustable) 125 kbps (adjustable) 250 kbps (adjustable) 500 kbps (adjustable)
Minimum receiver sensitivity	-112 dBm (16 kbps) -105 dBm (125 kbps) -102 dBm (250 kbps) -95 dBm (500 kbps)
Antenna connection method	RSMA (female)
Security	128-bit data encryption

Functions

Country support	USA (FCC, Part 15.247, ID: SGV-SHR-900) Canada (IC, RSS210, ID: 4720C-SHR900) Mexico (IFT, ID: RCPHRA17-1113)
-----------------	---

Wireless module - RAD-900-IFS

2901540

<https://www.phoenixcontact.com/pc/products/2901540>

	Chile
	Argentina

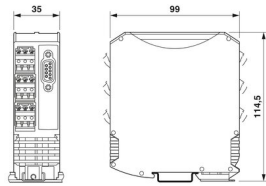
Wireless

Frequency band	900 MHz
Wireless standard	Trusted Wireless

LED signaling

Status display	Green LED (supply voltage, PWR)
	Green LED (bus communication, DAT)
	Red LED (periphery error, ERR)
	3x green, 1x yellow LED (LED bar graph receive quality, RSSI)
	Green LED (receive data, RX)
	Green LED (transmit data, TX)

Dimensions

Dimensional drawing	
Width	35 mm
Height	116 mm
Depth	114.5 mm

Material specifications

Color	green
Flammability rating according to UL 94	V0
Housing material	PA 6.6-FR

Environmental and real-life conditions

Ambient conditions

Degree of protection	IP20
Ambient temperature (operation)	-40 °C ... 70 °C
	-40 °F ... 158 °F
Ambient temperature (storage/transport)	-40 °C ... 85 °C
	-40 °F ... 185 °F
Altitude	2000 m
Permissible humidity (operation)	20 % ... 85 %
Permissible humidity (storage/transport)	20 % ... 85 %
Shock	16g, 11 ms
Vibration (operation)	in accordance with IEC 60068-2-6: 5g, 10 Hz ... 150 Hz

Wireless module - RAD-900-IFS



2901540

<https://www.phoenixcontact.com/pc/products/2901540>

Approval data

Conformity/Approvals

Conformance	FCC Directive, Part 15.247
	ISC Directive RSS 210
UL, USA	Class I, Zone 2, AEx nA nC IIC T4
UL, USA / Canada	Class I, Div. 2, Groups A, B, C, D
UL, Canada	Class I, Zone 2, Ex nA nC nL IIC T4 Gc X
CSA	CSA C22.2

EMC data

Electromagnetic compatibility	Conformance with EMC Directive 2004/108/EC
-------------------------------	--

Mounting

Mounting type	DIN rail mounting
Assembly instructions	on standard DIN rail NS 35 in accordance with EN 60715

Wireless module - RAD-900-IFS

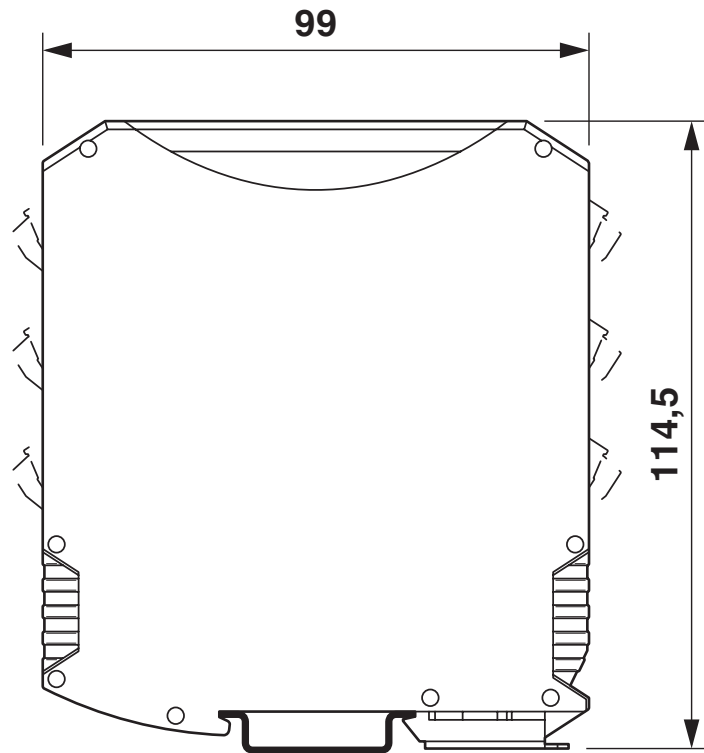
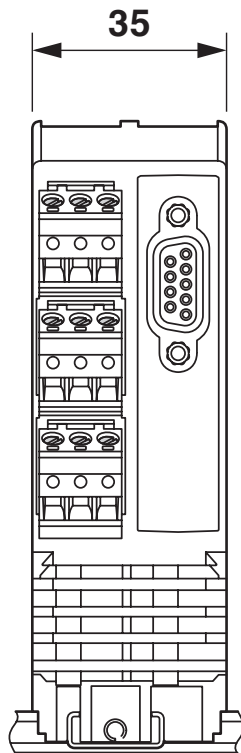
2901540

<https://www.phoenixcontact.com/pc/products/2901540>



Drawings

Dimensional drawing

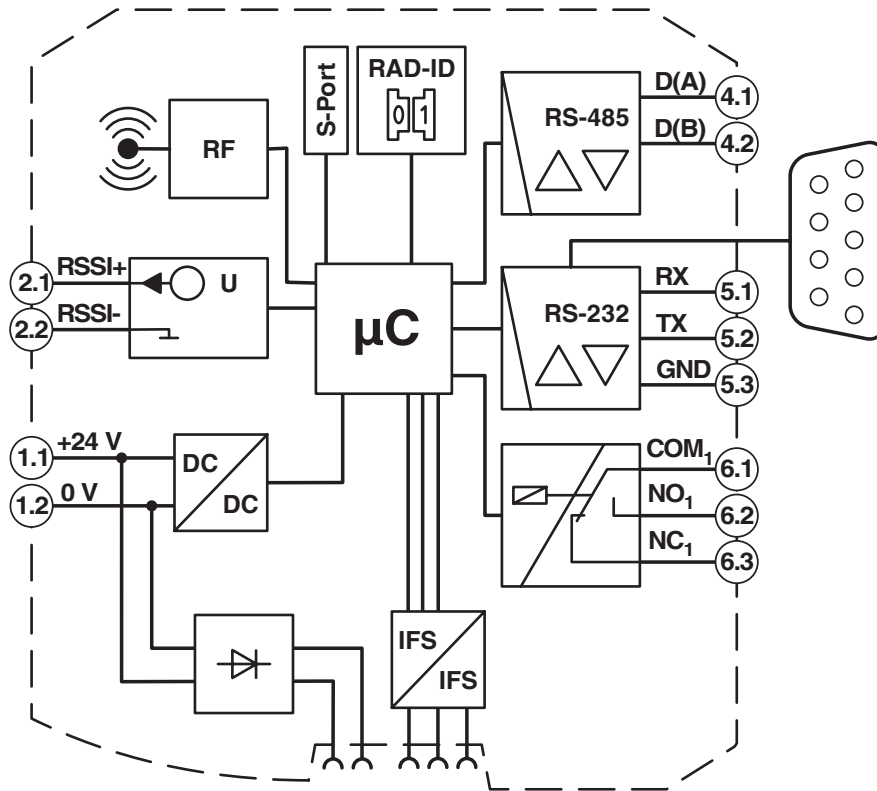


Wireless module - RAD-900-IFS

2901540

<https://www.phoenixcontact.com/pc/products/2901540>

Block diagram



Wireless module - RAD-900-IFS



2901540

<https://www.phoenixcontact.com/pc/products/2901540>

Approvals



UL Listed

Approval ID: FILE E 238705



cUL Listed

Approval ID: FILE E 238705

FCC

Approval ID: SGV-SHR-900

Industry Canada

Approval ID: 4720C-SHR900

NOM

Approval ID: RCPHRA17-1113



cUL Listed

Approval ID: FILE E 358724



UL Listed

Approval ID: FILE E 358724

cULus Listed

cULus Listed

Wireless module - RAD-900-IFS



2901540

<https://www.phoenixcontact.com/pc/products/2901540>

Classifications

ECLASS

ECLASS-9.0	19179290
ECLASS-10.0.1	19179290
ECLASS-11.0	19170501

ETIM

ETIM 8.0	EC000816
----------	----------

UNSPSC

UNSPSC 21.0	43222600
-------------	----------

Wireless module - RAD-900-IFS



2901540

<https://www.phoenixcontact.com/pc/products/2901540>

Environmental Product Compliance

REACH SVHC	Lead 7439-92-1
China RoHS	Environmentally Friendly Use Period = 50 years
	For information on hazardous substances, refer to the manufacturer's declaration available under "Downloads"

Wireless module - RAD-900-IFS

2901540

<https://www.phoenixcontact.com/pc/products/2901540>



Accessories

I/O extension module

I/O extension module - RAD-DAIO6-IFS - 2901533

<https://www.phoenixcontact.com/pc/products/2901533>



Radioline - I/O extension module, 2 digital inputs and outputs (0 ... 250 V AC/DC) and 1 analog input (0/4 ... 20 mA) and output (0/4 ... 20 mA, 0 ... 10 V)

I/O extension module

I/O extension module - RAD-DI4-IFS - 2901535

<https://www.phoenixcontact.com/pc/products/2901535>



Radioline - I/O extension module, 4 digital inputs (0 ... 250 V AC/DC)

Wireless module - RAD-900-IFS

2901540

<https://www.phoenixcontact.com/pc/products/2901540>



I/O extension module

I/O extension module - RAD-DOR4-IFS - 2901536

<https://www.phoenixcontact.com/pc/products/2901536>



Radioline - I/O extension module, 4 digital relay outputs (5 A, 250 V AC/DC)

I/O extension module

I/O extension module - RAD-DI8-IFS - 2901539

<https://www.phoenixcontact.com/pc/products/2901539>



Radioline - I/O extension module, 8 digital inputs (0 ... 30.5 V DC) or 2 pulse inputs up to 100 Hz

Wireless module - RAD-900-IFS

2901540

<https://www.phoenixcontact.com/pc/products/2901540>



I/O extension module

I/O extension module - RAD-DO8-IFS - 2902811

<https://www.phoenixcontact.com/pc/products/2902811>



Radioline - I/O extension module, 8 digital transistor outputs (30.5 V DC/200 mA)

I/O extension module

I/O extension module - RAD-AI4-IFS - 2901537

<https://www.phoenixcontact.com/pc/products/2901537>



Radioline - I/O extension module, 4 analog current inputs (0/4 mA ... 20 mA)

Wireless module - RAD-900-IFS

2901540

<https://www.phoenixcontact.com/pc/products/2901540>



I/O extension module

I/O extension module - RAD-AO4-IFS - 2901538

<https://www.phoenixcontact.com/pc/products/2901538>



Radioline - I/O extension module, 4 analog current or voltage outputs (0/4 mA ... 20 mA, 0 V ... 10 V)

Communication module

Communication module - RAD-RS485-IFS - 2702184

<https://www.phoenixcontact.com/pc/products/2702184>



Radioline - RS-485 multipoint multiplexer, can be extended with I/O modules, can be used as Modbus/RTU bus coupler or can be combined with Radioline wireless system, up to 99 stations, range of up to 1.2 km on in-house copper cables

Wireless module - RAD-900-IFS

2901540

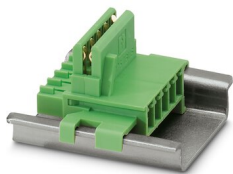
<https://www.phoenixcontact.com/pc/products/2901540>



DIN rail bus connectors

DIN rail bus connectors - ME 17,5 TBUS 1,5/ 5-ST-3,81 GN - 2709561

<https://www.phoenixcontact.com/pc/products/2709561>



DIN rail connector for DIN rail mounting. Universal for TBUS housing. Gold-plated contacts, 5-pos.

Configuration memory

Configuration memory - RAD-MEMORY - 2902828

<https://www.phoenixcontact.com/pc/products/2902828>



Radioline - memory stick for saving custom configuration data

Wireless module - RAD-900-IFS

2901540

<https://www.phoenixcontact.com/pc/products/2901540>



Cable for programming

Cable for programming - RAD-CABLE-USB - 2903447

<https://www.phoenixcontact.com/pc/products/2903447>



Radioline - USB data cable for communication between the PC and Radioline devices, energy supply for diagnostics and configuration via the USB port of the PC, cable length: 2 m / 6.5 ft

Antenna cable

Antenna cable - RAD-PIG-RSMA/N-0.5 - 2903263

<https://www.phoenixcontact.com/pc/products/2903263>



Antenna cable, outside diameter: 5 mm (0.2 in.), inner conductor: solid, attenuation: 0.4 / 0.5 / 0.6 dB at 0.9 / 2.4 / 5.8 GHz, connection: N (male) -> RSMA (male), cable length: 0.5 m (1.6 ft.)

Wireless module - RAD-900-IFS

2901540

<https://www.phoenixcontact.com/pc/products/2901540>

Antenna cable

Antenna cable - RAD-PIG-RSMA/N-1 - 2903264

<https://www.phoenixcontact.com/pc/products/2903264>



Antenna cable, outside diameter: 5 mm (0.2 in.), inner conductor: solid, attenuation: 0.5 / 0.8 / 1.1 dB at 0.9 / 2.4 / 5.8 GHz, connection: N (male) -> RSMA (male), cable length: 1 m (3.3 ft.)

Antenna cable

Antenna cable - RAD-PIG-RSMA/N-2 - 2903265

<https://www.phoenixcontact.com/pc/products/2903265>



Antenna cable, outside diameter: 5 mm (0.2 in.), inner conductor: solid, attenuation: 0.9 / 1.3 / 2.0 dB at 0.9 / 2.4 / 5.8 GHz, connection: N (male) -> RSMA (male), cable length: 2 m (6.5 ft.)

Wireless module - RAD-900-IFS

2901540

<https://www.phoenixcontact.com/pc/products/2901540>

Antenna cable

Antenna cable - RAD-PIG-RSMA/N-3 - 2903266

<https://www.phoenixcontact.com/pc/products/2903266>



Antenna cable, outside diameter: 5 mm (0.2 in.), inner conductor: solid, attenuation: 1.2 / 2.0 / 3.0 dB at 0.9 / 2.4 / 5.8 GHz, connection: N (male) -> RSMA (male), cable length: 3 m (10 ft.)

Adapter

Adapter - RAD-ADP-N/F-N/F - 2867843

<https://www.phoenixcontact.com/pc/products/2867843>



Antenna adapter for control cabinet feed-through, frequency range: 0.3 GHz ... 6 GHz, degree of protection: IP65, connection: 2 x N (female)

Wireless module - RAD-900-IFS

2901540

<https://www.phoenixcontact.com/pc/products/2901540>



Weather protection tape

Weather protection tape - RAD-TAPE-SV-19-3 - 2903182

<https://www.phoenixcontact.com/pc/products/2903182>

Vulcanizing sealing tape for external protection of adapters, cable connections, etc. against the effects of weather, roll length: 3 m



Surge protection device

Surge protection device - CN-UB-70DC-6-BB - 2803166

<https://www.phoenixcontact.com/pc/products/2803166>

Attachment plug with surge protection for coaxial signal interfaces. Connection: N connector, female/female



Wireless module - RAD-900-IFS

2901540

<https://www.phoenixcontact.com/pc/products/2901540>



Surge protection device

Surge protection device - CN-LAMBDA/4-2.2-BB - 2800024

<https://www.phoenixcontact.com/pc/products/2800024>

Attachment plug with Lambda/4 technology as surge protection for coaxial signal interfaces. Connection: N connectors socket-socket



Antenna cable

Antenna cable - RAD-CAB-PFP240-10 - 5606124

<https://www.phoenixcontact.com/pc/products/5606124>

Antenna cable, outside diameter: 6 mm (0.24 in.), inner conductor: solid, attenuation: 1.0 / 1.5 / 2.1 dB at 0.9 / 2.4 / 5.8 GHz, connection: 2x N (male), cable length: 3 m (10 ft.)



Wireless module - RAD-900-IFS

2901540

<https://www.phoenixcontact.com/pc/products/2901540>



Antenna cable

Antenna cable - RAD-CAB-PFP400-20 - 5606125

<https://www.phoenixcontact.com/pc/products/5606125>



Antenna cable, outside diameter: 10 mm (0.4 in.), inner conductor: solid, attenuation: 1.0 / 1.5 / 2.2 dB at 0.9 / 2.4 / 5.8 GHz, connection: 2x N (male), cable length: 6 m (20 ft.)

Antenna cable

Antenna cable - RAD-CAB-PFP600-25 - 5606126

<https://www.phoenixcontact.com/pc/products/5606126>



Antenna cable, outside diameter: 15 mm (0.6 in.), inner conductor: solid, attenuation: 1.0 / 1.3 / 2.0 dB at 0.9 / 2.4 / 5.8 GHz, connection: 2x N (male), cable length: 7.5 m (25 ft.)

Wireless module - RAD-900-IFS

2901540

<https://www.phoenixcontact.com/pc/products/2901540>

Antenna cable

Antenna cable - RAD-CAB-RG213-40 - 2867377

<https://www.phoenixcontact.com/pc/products/2867377>



Antenna cable, outside diameter: 10 mm (0.4 in.), inner conductor: solid, attenuation: 2.9 dB at 900 MHz, connection: 2 x N (male), cable length: 12 m (40 ft.)

Antenna cable

Antenna cable - RAD-CAB-RG213-50 - 2867225

<https://www.phoenixcontact.com/pc/products/2867225>



Antenna cable, outside diameter: 10 mm (0.4 in.), inner conductor: solid, attenuation: 3.5 dB at 900 MHz, connection: 2 x N (male), cable length: 15 m (50 ft.)

Wireless module - RAD-900-IFS

2901540

<https://www.phoenixcontact.com/pc/products/2901540>



Antenna cable

Antenna cable - RAD-CAB-PFP400-60 - 2867380

<https://www.phoenixcontact.com/pc/products/2867380>



Antenna cable, outside diameter: 10 mm (0.4 in.), inner conductor: solid, attenuation: 2.5 / 4.2 / 6.3 dB at 0.9 / 2.4 / 5.8 GHz, connection: 2x N (male), cable length: 18 m (60 ft.)

Antenna cable

Antenna cable - RAD-CAB-PFP400-80 - 2867393

<https://www.phoenixcontact.com/pc/products/2867393>



Antenna cable, outside diameter: 10 mm (0.4 in.), inner conductor: solid, attenuation: 3.3 / 5.6 / 8.4 dB at 0.9 / 2.4 / 5.8 GHz, connection: 2x N (male), cable length: 24 m (80 ft.)

Wireless module - RAD-900-IFS



2901540

<https://www.phoenixcontact.com/pc/products/2901540>

Antenna cable

Antenna cable - RAD-CAB-PFP400-100 - 2867238

<https://www.phoenixcontact.com/pc/products/2867238>



Antenna cable, outside diameter: 10 mm (0.4 in.), inner conductor: solid, attenuation: 4.1 / 6.9 / 10.4 dB at 0.9 / 2.4 / 5.8 GHz, connection: 2x N (male), cable length: 30 m (100 ft.)

Antenna cable

Antenna cable - RAD-CAB-PFP600-150 - 2885184

<https://www.phoenixcontact.com/pc/products/2885184>



Antenna cable, outside diameter: 15 mm (0.6 in.), inner conductor: solid, attenuation: 3.9 / 6.8 / 10.4 dB at 0.9 / 2.4 / 5.8 GHz, connection: 2x N (male), cable length: 45 m (150 ft.)

Wireless module - RAD-900-IFS

2901540

<https://www.phoenixcontact.com/pc/products/2901540>



Antenna cable

Antenna cable - RAD-CAB-PFP900-200 - 2885197

<https://www.phoenixcontact.com/pc/products/2885197>

Antenna extension cable, length: 200 ft



Antenna

Antenna - RAD-ISM-900-ANT-OMNI-FG-3-N - 2867791

<https://www.phoenixcontact.com/pc/products/2867791>

Omnidirectional antenna, 900 MHz, gain: 5 dBi, polarization: linear, opening angle: h/v 360°/28°, degree of protection: IP65, connection: N (female), incl. mounting bracket and mast clips



Wireless module - RAD-900-IFS

2901540

<https://www.phoenixcontact.com/pc/products/2901540>

Antenna

Antenna - RAD-ISM-900-ANT-OMNI-5 - 2867199

<https://www.phoenixcontact.com/pc/products/2867199>



Omnidirectional antenna, 900 MHz, gain: 7 dBi, polarization: linear, opening angle: h/v 360°/30°, degree of protection: IP65, connection: N (female), incl. mounting bracket and mast clips

Antenna

Antenna - RAD-ISM-900-ANT-YAGI-3-N - 2867801

<https://www.phoenixcontact.com/pc/products/2867801>



Directional antenna, 868 MHz / 900 MHz, gain: 5 dBi, polarization: linear, opening angle: h/v 168°/78°, degree of protection: IP65, connection: N (female), incl. mounting bracket and mast clips

Wireless module - RAD-900-IFS

2901540

<https://www.phoenixcontact.com/pc/products/2901540>

Antenna

Antenna - RAD-ISM-900-ANT-OMNI-FG-6-N - 2885579

<https://www.phoenixcontact.com/pc/products/2885579>

Omnidirectional antenna, 900 MHz, gain: 8 dBi, polarization: linear, opening angle: h/v 360°/15°, degree of protection: IP65, connection: N (female), incl. mounting bracket and mast clips



Antenna

Antenna - RAD-ISM-900-ANT-YAGI-6.5-N - 2867814

<https://www.phoenixcontact.com/pc/products/2867814>

Directional antenna, 868 MHz / 900 MHz, gain: 8.5 dBi, polarization: linear, opening angle: h/v 100°/62°, degree of protection: IP65, connection: N (female), incl. mounting bracket and mast clips



Wireless module - RAD-900-IFS

2901540

<https://www.phoenixcontact.com/pc/products/2901540>

Antenna

Antenna - RAD-ISM-900-ANT-YAGI-10-N - 5606614

<https://www.phoenixcontact.com/pc/products/5606614>



Directional antenna 868 MHz / 900 MHz, gain: 12 dBi, polarization: linear, opening angle: h/v 56°/46°, degree of protection: IP65, connection: N (female), incl. mounting bracket and mast clips

Antenna

Antenna - RAD-900-ANT-OMNI-2-2-RSMA - 2904801

<https://www.phoenixcontact.com/pc/products/2904801>



Omnidirectional antenna, 900 MHz, gain: 2 dBi, polarization: linear, degree of protection: IP65, connection: RSMA (male), incl. 1.8 m / 6 ft. connecting cable and mounting bracket for wall mounting

Wireless module - RAD-900-IFS

2901540

<https://www.phoenixcontact.com/pc/products/2901540>



Antenna

Antenna - RAD-900-ANT-OMNI-2-N - 2904802

<https://www.phoenixcontact.com/pc/products/2904802>



Omnidirectional antenna, 868 MHz / 900 MHz, gain: 2 dBi, polarization: linear, opening angle: h/v 360°/50°, degree of protection: IP66, connection: N (female), for control cabinet mounting (optional wall mounting)

Configuration memory

Configuration memory - RAD-900-CONF-RF1 - 2702122

<https://www.phoenixcontact.com/pc/products/2702122>



Radioline - configuration stick for easy and safe network addressing for the 900 MHz wireless module (RAD-900-...), unique network ID, RF band 1

Wireless module - RAD-900-IFS

2901540

<https://www.phoenixcontact.com/pc/products/2901540>



Control cabinet

Control cabinet - RAD-SYS-NEMA4X-900 - 2917188

<https://www.phoenixcontact.com/pc/products/2917188>

NEMA 4X enclosure for wireless systems



Adapter

Adapter - RAD-ADP-RSMA/M-RSMA/F-90 - 2904790

<https://www.phoenixcontact.com/pc/products/2904790>

Antenna adapter, frequency range: 0.3 GHz ... 6 GHz, connection: RSMA (male)
-> RSMA (female), 90° angled



Wireless module - RAD-900-IFS

2901540

<https://www.phoenixcontact.com/pc/products/2901540>



Surge protection device

Surge protection device - CN-LAMBDA/4-2.25-BB - 2801057

<https://www.phoenixcontact.com/pc/products/2801057>

Attachment plug with Lambda/4 technology as surge protection for coaxial signal interfaces. Connection: N connectors socket-socket



I/O extension module

I/O extension module - RAD-NAM4-IFS - 2316275

<https://www.phoenixcontact.com/pc/products/2316275>

Radioline - I/O extension module, 4 NAMUR digital input module used in Radioline and PROFIBUS PA MUX I/O systems. Fulfills the NAMUR proximity sensor standard EN 60947-5-6, and communication to the head stations for Radioline systems and the FB-MUX/HS...PA via the T-BUS connector installed on the DIN rail. This module has channel-to-channel isolation.



Wireless module - RAD-900-IFS

2901540

<https://www.phoenixcontact.com/pc/products/2901540>



I/O extension module

I/O extension module - RAD-AI4-U-IFS - 2702290

<https://www.phoenixcontact.com/pc/products/2702290>



Radioline - I/O extension module, 4 analog voltage inputs (0 ... 5 V, 0 ... 10 V)

I/O extension module

I/O extension module - RAD-DAIO6-IFS - 2901533

<https://www.phoenixcontact.com/pc/products/2901533>



Radioline - I/O extension module, 2 digital inputs and outputs (0 ... 250 V AC/DC) and 1 analog input (0/4 ... 20 mA) and output (0/4 ... 20 mA, 0 ... 10 V)

Wireless module - RAD-900-IFS

2901540

<https://www.phoenixcontact.com/pc/products/2901540>



I/O extension module

I/O extension module - RAD-DI4-IFS - 2901535

<https://www.phoenixcontact.com/pc/products/2901535>



Radioline - I/O extension module, 4 digital inputs (0 ... 250 V AC/DC)

I/O extension module

I/O extension module - RAD-DOR4-IFS - 2901536

<https://www.phoenixcontact.com/pc/products/2901536>



Radioline - I/O extension module, 4 digital relay outputs (5 A, 250 V AC/DC)

Wireless module - RAD-900-IFS

2901540

<https://www.phoenixcontact.com/pc/products/2901540>



I/O extension module

I/O extension module - RAD-DI8-IFS - 2901539

<https://www.phoenixcontact.com/pc/products/2901539>



Radioline - I/O extension module, 8 digital inputs (0 ... 30.5 V DC) or 2 pulse inputs up to 100 Hz

I/O extension module

I/O extension module - RAD-DO8-IFS - 2902811

<https://www.phoenixcontact.com/pc/products/2902811>



Radioline - I/O extension module, 8 digital transistor outputs (30.5 V DC/200 mA)

Wireless module - RAD-900-IFS

2901540

<https://www.phoenixcontact.com/pc/products/2901540>



I/O extension module

I/O extension module - RAD-AI4-IFS - 2901537

<https://www.phoenixcontact.com/pc/products/2901537>



Radioline - I/O extension module, 4 analog current inputs (0/4 mA ... 20 mA)

I/O extension module

I/O extension module - RAD-AO4-IFS - 2901538

<https://www.phoenixcontact.com/pc/products/2901538>



Radioline - I/O extension module, 4 analog current or voltage outputs (0/4 mA ... 20 mA, 0 V ... 10 V)

Wireless module - RAD-900-IFS

2901540

<https://www.phoenixcontact.com/pc/products/2901540>



I/O extension module

I/O extension module - RAD-PT100-4-IFS - 2904035

<https://www.phoenixcontact.com/pc/products/2904035>



Radioline - I/O extension module, 4 Pt 100 inputs (-50°C ... +250°C / -58 °F ... 482 °F)

Phoenix Contact 2022 © - all rights reserved

<https://www.phoenixcontact.com>

PHOENIX CONTACT GmbH & Co. KG

Flachsmarktstraße 8

D-32825 Blomberg

+49 (0) 5235-3 00

info@phoenixcontact.com