

Type 2 surge arrester - VAL-SEC-T2-3S-350/40-FM



2909635

<https://www.phoenixcontact.com/gb/products/2909635>

Please be informed that the data shown in this PDF document is generated from our Online Catalog. Please find the complete data in the user documentation. Our General Terms of Use for Downloads are valid.



Pluggable surge protective device, in accordance with Type 2/Class II, for 3-phase power supply networks with separate N and PE (5-conductor system: L1, L2, L3, N, PE), with remote indication contact. With 40 kA discharge capacity in accordance with the requirements of VDE 0100-534:2016-10 relating to SPDs at the system feed point.

Your advantages

- Surge protection family for universal use with optimum energy coordination from the lightning current arrester to the device protection
- Easy to maintain due to consistently pluggable protection modules
- Excellent level of information provided by mechanical/visual status indicator and remote indication contact
- More space in the control cabinet due to the narrow overall width of just 12 mm per position and use without separate backup fuse up to 315 A gG
- Suitable for use at the system feed point due to increased discharge capacity in accordance with DIN VDE 0100-534

Commercial Data

Item number	2909635
Packing unit	1 pc
Minimum order quantity	1 pc
Sales Key	CL1351
Product Key	CL1351
Catalog Page	Page 54 (C-4-2019)
GTIN	4055626378206
Weight per Piece (including packing)	402.8 g
Weight per Piece (excluding packing)	378 g
Customs tariff number	85363030
Country of origin	DE

Type 2 surge arrester - VAL-SEC-T2-3S-350/40-FM



2909635

<https://www.phoenixcontact.com/gb/products/2909635>

Technical Data

Product properties

IEC test classification	II
	T2
EN type	T2
IEC power supply system	TN-S
	TT
Type	DIN rail module, two-section, divisible
Product type	Surge arrester
Number of positions	4
Surge protection fault message	Optical, remote indicator contact

Insulation characteristics

Overvoltage category	III
Pollution degree	2

Electrical properties

Nominal frequency f_N	50 Hz (60 Hz)
-------------------------	---------------

Indicator/remote signaling

Connection name	Remote fault indicator contact
Switching function	Changeover contact
Operating voltage	5 V AC ... 250 V AC
	125 V DC (200 mA DC)
Operating current	5 mA AC ... 1 A AC
	1 A DC (30 V DC)

Connection data

Connection method	Screw connection
Screw thread	M5
Tightening torque	4.5 Nm
Stripping length	16 mm
Conductor cross section flexible	2.5 mm ² ... 16 mm ²
Conductor cross section solid	2.5 mm ² ... 25 mm ²
Conductor cross section AWG	12 ... 4
Connection method	Fork-type cable lug
Conductor cross section flexible	1.5 mm ² ... 6 mm ²

Dimensions

Type 2 surge arrester - VAL-SEC-T2-3S-350/40-FM



2909635

<https://www.phoenixcontact.com/gb/products/2909635>

Dimensional drawing	
Width	49.2 mm
Width	49.2 mm
Height	97.9 mm
Height	97.9 mm
Depth	74.5 mm (incl. DIN rail 7.5 mm)
Depth	74.5 mm
Horizontal pitch	2.7 Div.

Material specifications

Color	light grey RAL 7035
	traffic grey A RAL 7042
Flammability rating according to UL 94	V-0
CTI value of material	600
Insulating material	PA6.6-FR 20% GF
	PBT-FR
Material group	I
Housing material	PA 6.6-FR 20 % GF
	PBT-FR

Protective circuit

Mode of protection	L-N
	L-PE
	N-PE
Direction of action	3L-N & N-PE
Nominal voltage U_N	240/415 V AC (TN-S)
	240/415 V AC (TT)
Nominal frequency f_N	50 Hz (60 Hz)
Maximum continuous operating voltage U_C (L-N)	350 V AC
Maximum continuous operating voltage U_C (L-PE)	350 V AC
Maximum continuous operating voltage U_C (N-PE)	264 V AC
Rated load current I_L	40 A (Biconnect M4 fork-type cable lug 6 mm ²)
	63 A (TWIN ferrule 2 x 10 mm ²)
Residual current I_{PE}	≤ 1 μA
Nominal discharge current I_n (8/20) μs (L-N)	20 kA
Nominal discharge current I_n (8/20) μs (L-PE)	20 kA
Nominal discharge current I_n (8/20) μs (N-PE)	40 kA
Maximum discharge current I_{max} (8/20) μs (L-N)	40 kA
Maximum discharge current I_{max} (8/20) μs (L-PE)	40 kA
Maximum discharge current I_{max} (8/20) μs (N-PE)	80 kA

Type 2 surge arrester - VAL-SEC-T2-3S-350/40-FM



2909635

<https://www.phoenixcontact.com/gb/products/2909635>

Follow current interrupt rating I_{fi} (N-PE)	100 A (264 V AC)
Short-circuit current rating I_{SCCR}	25 kA (for a backup fuse of up to 315 A gG)
	50 kA (for a backup fuse of up to 200 A gG)
Voltage protection level U_p (L-N)	≤ 1.5 kV
Voltage protection level U_p (L-PE)	≤ 1.9 kV
Voltage protection level U_p (N-PE)	≤ 1.5 kV
Residual voltage U_{res} (L-N)	≤ 1.5 kV (at I_n)
	≤ 1.3 kV (at 10 kA)
	≤ 1.2 kV (at 5 kA)
	≤ 1.1 kV (at 4 kA)
	≤ 1 kV (at 2 kA)
Residual voltage U_{res} (N-PE)	≤ 0.7 kV (at I_n)
	≤ 0.7 kV (at 20 kA)
	≤ 0.7 kV (at 8 kA)
	≤ 0.7 kV (at 4 kA)
TOV behavior at U_T (L-N)	415 V AC (5 s / withstand mode)
	457 V AC (120 min / safe failure mode)
TOV behavior at U_T (N-PE)	1200 V AC (200 ms / withstand mode)
Response time t_A (L-N)	≤ 25 ns
Response time t_A (L-PE)	≤ 100 ns
Response time t_A (N-PE)	≤ 100 ns
Max. backup fuse with V-type through wiring	40 A (gG / Biconnect M4 fork-type cable lug, 6 mm ²)
	63 A (gG / TWIN ferrule 2x 10mm ²)
Max. backup fuse with branch wiring	315 A (gG)

Environmental and real-life conditions

Ambient conditions

Degree of protection	IP20
Ambient temperature (operation)	-40 °C ... 80 °C
Ambient temperature (storage/transport)	-40 °C ... 80 °C
Altitude	≤ 2000 m (amsl (above mean sea level))
Permissible humidity (operation)	5 % ... 95 %
Shock (operation)	30g (Half-sine / 11 ms / 3x $\pm X$, $\pm Y$, $\pm Z$)
Vibration (operation)	5g (10 ... 500 Hz / 2.5 h / X, Y, Z)

Standards and regulations

Standards/specifications	IEC 61643-11
Standards/specifications	EN 61643-11

Mounting

Mounting type	DIN rail: 35 mm
---------------	-----------------

Type 2 surge arrester - VAL-SEC-T2-3S-350/40-FM

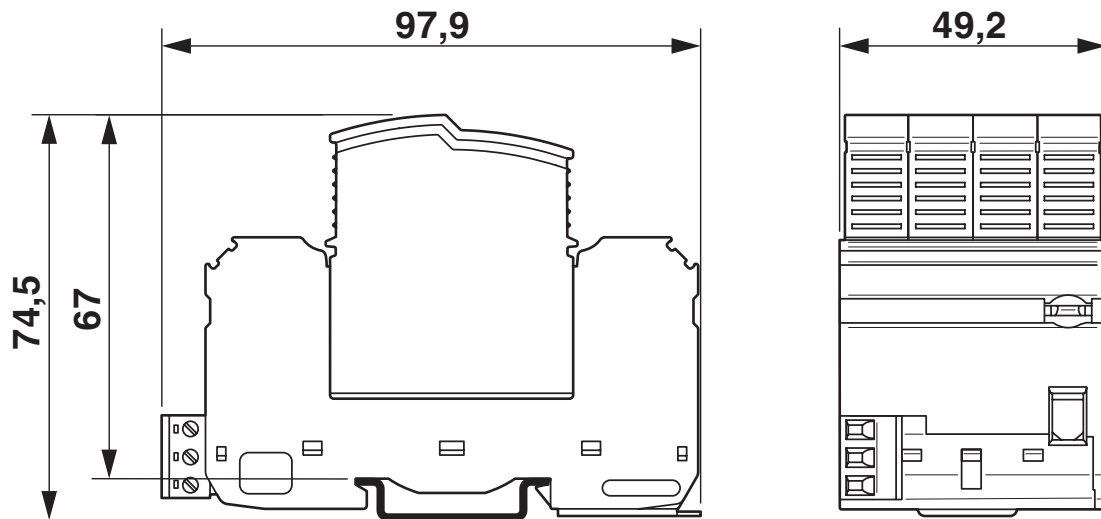


2909635

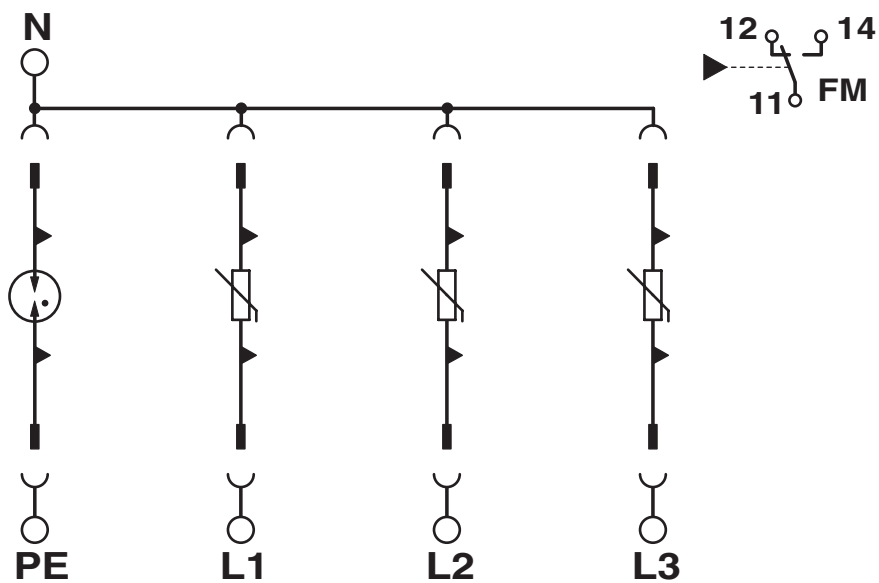
<https://www.phoenixcontact.com/gb/products/2909635>

Drawings

Dimensional drawing



Circuit diagram



Type 2 surge arrester - VAL-SEC-T2-3S-350/40-FM



2909635

<https://www.phoenixcontact.com/gb/products/2909635>

Approvals



EAC

Approval ID: RU C-DE.*09.B.00169



KEMA-KEUR

Approval ID: 2196453.01

Type 2 surge arrester - VAL-SEC-T2-3S-350/40-FM



2909635

<https://www.phoenixcontact.com/gb/products/2909635>

Classifications

ECLASS

ECLASS-9.0	27130805
ECLASS-10.0.1	27130805
ECLASS-11.0	27130805

ETIM

ETIM 8.0	EC000941
----------	----------

UNSPSC

UNSPSC 21.0	39121600
-------------	----------

Type 2 surge arrester - VAL-SEC-T2-3S-350/40-FM



2909635

<https://www.phoenixcontact.com/gb/products/2909635>

Environmental Product Compliance

China RoHS	Environmentally Friendly Use Period = 50 years For information on hazardous substances, refer to the manufacturer's declaration available under "Downloads"
------------	----------------------------------------------------------------------------------------------------------------------------------------------------------------

Type 2 surge arrester - VAL-SEC-T2-3S-350/40-FM

2909635

<https://www.phoenixcontact.com/gb/products/2909635>

Accessories

End clamp

End clamp - CLIPFIX 35 - 3022218

<https://www.phoenixcontact.com/gb/products/3022218>



Quick mounting end clamp for NS 35/7,5 DIN rail or NS 35/15 DIN rail, with marking option, width: 9.5 mm, color: gray

Marker pen

Marker pen - X-PEN 0,35 - 0811228

<https://www.phoenixcontact.com/gb/products/0811228>



Marker pen without ink cartridge, for manual labeling of markers, labeling extremely wipe-proof, line thickness 0.35 mm

Type 2 surge arrester - VAL-SEC-T2-3S-350/40-FM



2909635

<https://www.phoenixcontact.com/gb/products/2909635>

Label

Label - EML (20XE)R - 0803452

<https://www.phoenixcontact.com/gb/products/0803452>



Label, Roll, white, unlabeled, can be labeled with: THERMOMARK ROLLMASTER 300/600, THERMOMARK X1.2, THERMOMARK ROLL X1, THERMOMARK ROLL 2.0, THERMOMARK ROLL, mounting type: adhesive, lettering field size: continuous x 20 mm

Label

Label - EML (20XE)R YE - 0803453

<https://www.phoenixcontact.com/gb/products/0803453>



Label, Roll, yellow, unlabeled, can be labeled with: THERMOMARK ROLLMASTER 300/600, THERMOMARK X1.2, THERMOMARK ROLL X1, THERMOMARK ROLL 2.0, THERMOMARK ROLL, mounting type: adhesive, lettering field size: continuous x 20 mm

Type 2 surge arrester - VAL-SEC-T2-3S-350/40-FM

2909635

<https://www.phoenixcontact.com/gb/products/2909635>

Zack marker strip

Zack marker strip - ZBN 18:UNBEDRUCKT - 2809128

<https://www.phoenixcontact.com/gb/products/2809128>

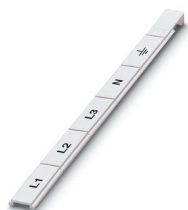


Zack marker strip, Strip, white, unlabeled, can be labeled with: CMS-P1-PLOTTER, PLOTMARK, mounting type: snapped, for terminal block width: 18 mm, lettering field size: 18 x 5 mm, Number of individual labels: 5

Marker for terminal blocks

Marker for terminal blocks - ZBN 18,LGS:L1-N,ERDE - 2749576

<https://www.phoenixcontact.com/gb/products/2749576>



Marker for terminal blocks, Strip, white, labeled, horizontal: L1, L2, L3, N, GND, mounting type: snapped, for terminal block width: 18 mm, lettering field size: 18 x 5 mm, Number of individual labels: 5

Type 2 surge arrester - VAL-SEC-T2-3S-350/40-FM

2909635

<https://www.phoenixcontact.com/gb/products/2909635>

Marker for terminal blocks

Marker for terminal blocks - ZBN 18,LGS:ERDE - 2749589

<https://www.phoenixcontact.com/gb/products/2749589>



Marker for terminal blocks, Strip, white, labeled, horizontal: Grounding symbol, mounting type: snapped, for terminal block width: 18 mm, lettering field size: 18 x 5 mm, Number of individual labels: 5

Flat zack marker sheet

Flat zack marker sheet - ZBFM 5/WH:UNBEDRUCKT - 0803595

<https://www.phoenixcontact.com/gb/products/0803595>



Flat zack marker sheet, Sheet, white, unlabeled, can be labeled with: CMS-P1-PLOTTER, PLOTMARK, mounting type: snapped, for terminal block width: 5.2 mm, lettering field size: 5 x 4.5 mm, Number of individual labels: 120

Type 2 surge arrester - VAL-SEC-T2-3S-350/40-FM

2909635

<https://www.phoenixcontact.com/gb/products/2909635>

Type 2 surge protection plug

Type 2 surge protection plug - VAL-SEC-T2-350-P - 2905346

<https://www.phoenixcontact.com/gb/products/2905346>



Replacement plug for surge arresters from the VALVETRAB SEC product range for L-N and L-PEN paths.

Type 2 surge protection plug

Type 2 surge protection plug - VAL-SEC-T2-N/PE-264/40-P - 2909636

<https://www.phoenixcontact.com/gb/products/2909636>



Replacement plug for surge arresters from the VALVETRAB SEC product range for the N-PE path.

Phoenix Contact 2022 © - all rights reserved
<https://www.phoenixcontact.com>

PHOENIX CONTACT Ltd
Halesfield 13, Telford
Shropshire, TF7 4PG
01952 681700
info@phoenixcontact.co.uk