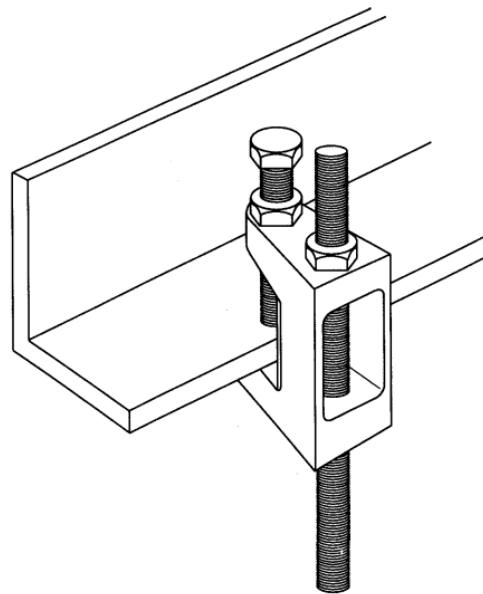


Datasheet

Girder Threaded Rod Clamp, maximum load 54kg, 23mm

RS Stock number [291127](#)



Description

Electroplated zinc finish, generally 8-12 microns thick with chromate coating, approximately 72 hours salt spray resistance ASTM-B117-90, DIN 50021, suitable for indoor, non-corrosive environments.

Specification

- | | |
|--------------------|-----------------|
| • Flange Thickness | Maximum of 23mm |
| • Hole Diameter | 13mm |
| • Material | Steel |
| • Maximum Load | 54kg |