

RF 15 R, gold, high, non-illuminated, 2.9 ± 0.6 N, 1 NO



fields of application

- › Measurement-control-regulation
- › Mechanical and system engineering
- › Automotive
- › Electro-medical

special features

- › Gold contacts, reliable switching with low currents
- › Optional spot illumination
- › Round plunger / key switch shape
- › Round cut-outs in the front panel
- › Narrow key grid of 15.24 mm possible
- › Overall height: 9.7 mm or 12.5 mm
- › Terminal technology: THT



description

The RF 15 R gold tactile switches have a 15 x 15 mm edge length, reliable gold contacts and a noticeable click. They are used in flat data entry keyboards under overlays or under keycaps, such as RAFI RK 90 keycaps.

The round pressure pad of the RF 15 R requires round cut-outs in the front panel. These enable a narrow keyboard grid of just 15.24 mm with sufficiently large adhesive strips between the individual key switches. The overlay, which we recommend embossing above the key switches, can be glued onto these strips of glue.

technical data

› general

Operating temperature, min.	-25 °C
Operating temperature, max.	70 °C
Storage temperature, min.	-25 °C
Storage temperature, max.	70 °C
illuminated	No
Soldering time for manual soldering, max.	5 sec
Soldering temperature for manual soldering	350 °C
Soldering temperature for wave soldering	260 °C
Soldering	Manual / wave
Solder heat resistance according to standard	DIN EN 60068-2-20
Packaging	Tube
Packaging unit	32 pcs.
net weight	2.1 g
Operating life	1,000,000 cycles

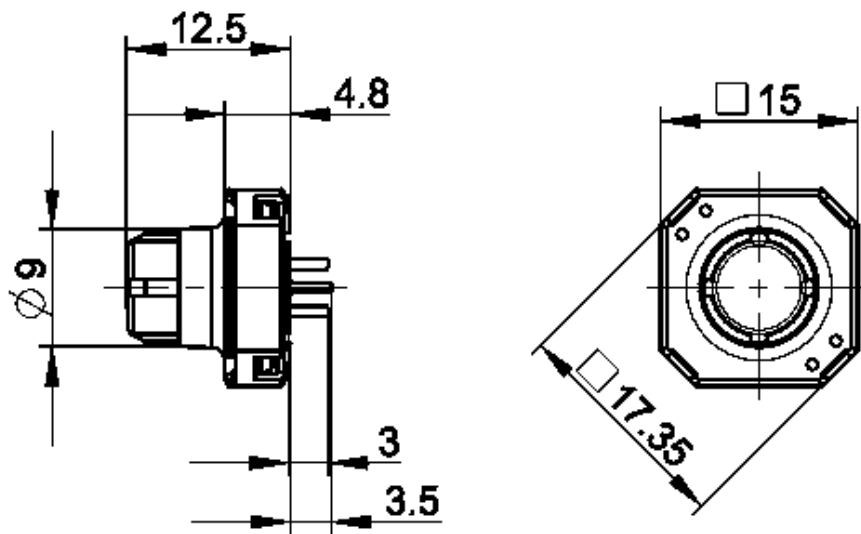
direct links

- › [RAFI eCatalog](#)

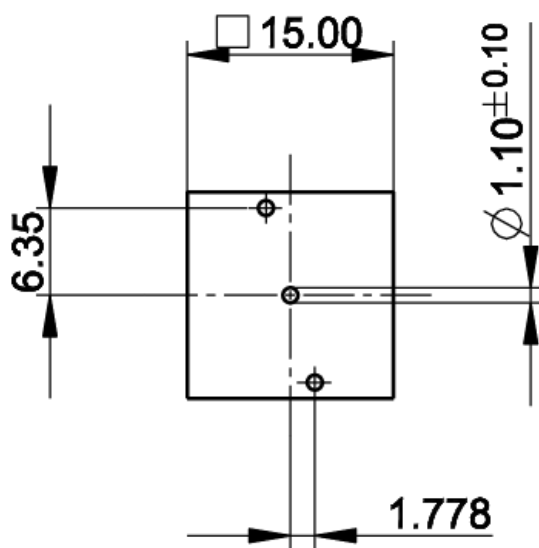
B10	1,300,000 cycles
MOQ order	32 pcs.
RoHS compliant	Yes
REACH compliant	Yes
> mounting diameters	
Outside dimension, length	15 mm
Outside dimension, width	15 mm
Outside dimension, height	12.5 mm
Installation height	12.5 mm
Grid, min.	15.24 mm
> mechanical data	
Actuation function	momentary contact function
Operating force, min.	2.9 ± 0.6 N
Switching travel	0,5 ^{+0,2} mm
Contact function	1 NO
Contact system	Snap-action contact
Contact material	Gold
Fixing	Soldering
Solderability	Yes
Terminal on the rear	THT
> electrical data	
Operating voltage of the luminous element, max.	5 V
Rated voltage, min.	0.02 V
Rated voltage, max.	35 V
Rated current, min.	0.00001 A
Rated current, max.	0.1 A
Rated power, max.	2 W

drawings

Dimensioned drawing

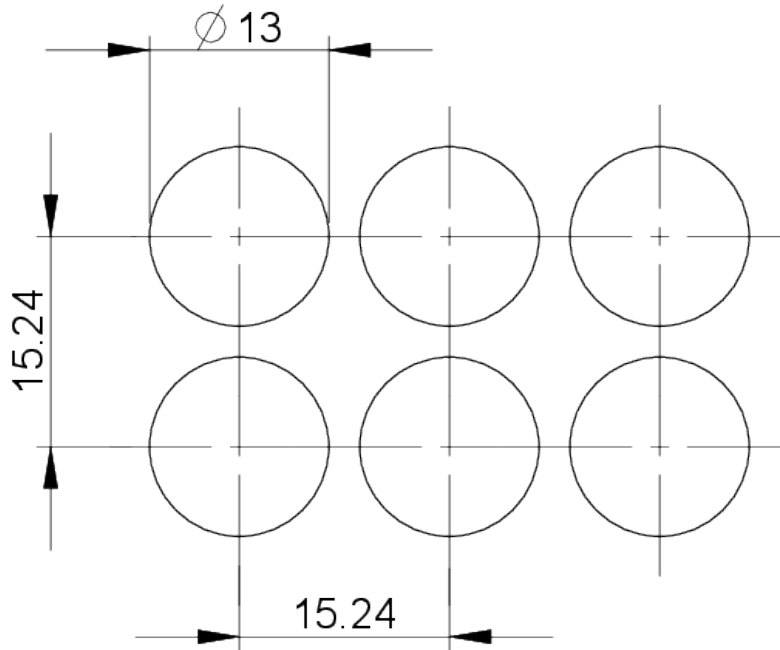


PCB drawing



Button not illuminated

front panel drawing



front panel drawing

