

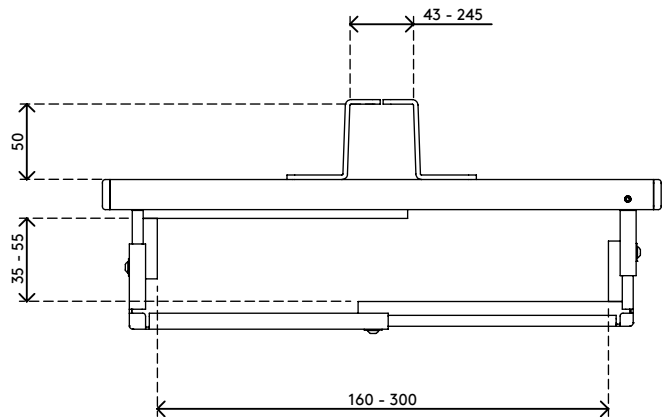
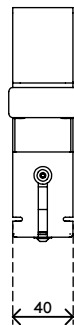
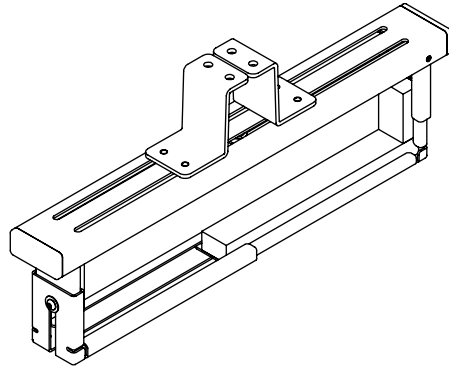
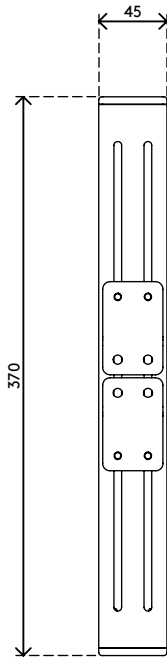
32.362

Viewmate computer holder - desk 362

This computer holder is suitable for almost all thin clients and ultra-small form factor computers, due to its slidable, height and width adjustable system. Its rail system makes it possible to mount the holder both vertically and horizontally.

- Supports both horizontal and vertical mounting of a thin client or USFF computer
- To be mounted directly onto the desktop, onto a crossbar/traverse or onto the wall
- Quick placing of the thin client by sliding and locking the holder into the rail system
- Holds almost every thin client between 160 - 300 mm (6,3" - 11,8") wide and 35 - 55 mm (1,4" - 2,2") high
- Max. weight capacity of 10 kg (22 lb)
- Max. dimensions thin client holder: 370 x 155 x 45 mm (14,6 x 6,1 x 1,8")
- Made of steel
- Set screws to lock the holder in the rail system

viewmate



horizontal/vertical



160 - 300 mm
(6,2 - 11,8")



35 - 55 mm
(1,3 - 2,1")



10 kg (22 lb)

Viewmate computer holder - desk 362

2019/06/20

32.362

 400 x 100 x 55 mm

 1 pcs

 silver

 1,4 kg

 805410323622