

CD-HF 60X100 - Cable duct

3240355

<https://www.phoenixcontact.com/pc/products/3240355>

Please be informed that the data shown in this PDF document is generated from our online catalog. Please find the complete data in the user documentation. Our general terms of use for downloads are valid.



Cable duct for installation and mounting in control cabinets, light gray, halogen-free, comprising upper part and mounting base, width: 60 mm, height: 100 mm, length: 2000 mm

Your advantages

- Predetermined breaking point enables tool-free, burr-free removal of bars
- Thanks to its leverage and special cutting geometry, the PPS CD cable duct cutter enables easy, burr-free cutting with minimum effort
- Easy, burr-free cutting with minimum effort using the CUTFOX-CD cable duct cutter
- The wide, diagonal heads of the cable duct bars make it easy to fit the cover and hold it securely in place
- Installed conductors are securely held in place by means of wire retaining clips that can be snapped onto bars on the side
- Plastic body-bound rivets enable easy fixing of cable ducts using the rivet setting tool

Commercial data

Item number	3240355
Packing unit	8 pc
Minimum order quantity	1 pc
Product key	BE7441
Catalog page	Page 579 (C-3-2019)
GTIN	4046356508407
Weight per piece (including packing)	1,500 g
Weight per piece (excluding packing)	1,500 g
Customs tariff number	39259020
Country of origin	DE

CD-HF 60X100 - Cable duct

3240355

<https://www.phoenixcontact.com/pc/products/3240355>



Technical data

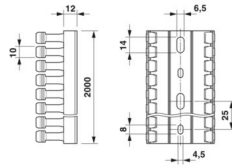
Product properties

Product type	Wiring duct
--------------	-------------

Connection data

Nominal cross section	4239 mm ²
-----------------------	----------------------

Dimensions

Dimensional drawing	
Width	60 mm
Height	2000 mm
Depth	100 mm
Length	2000 mm

Material specifications

Color	light grey RAL 7035
Material	PC/ABS
Flammability rating according to UL 94	V0
Components	halogen-free

Cable/line

Halogen-free	yes
--------------	-----

Environmental and real-life conditions

Ambient conditions

Ambient temperature (operation)	-40 °C ... 90 °C
---------------------------------	------------------

CD-HF 60X100 - Cable duct

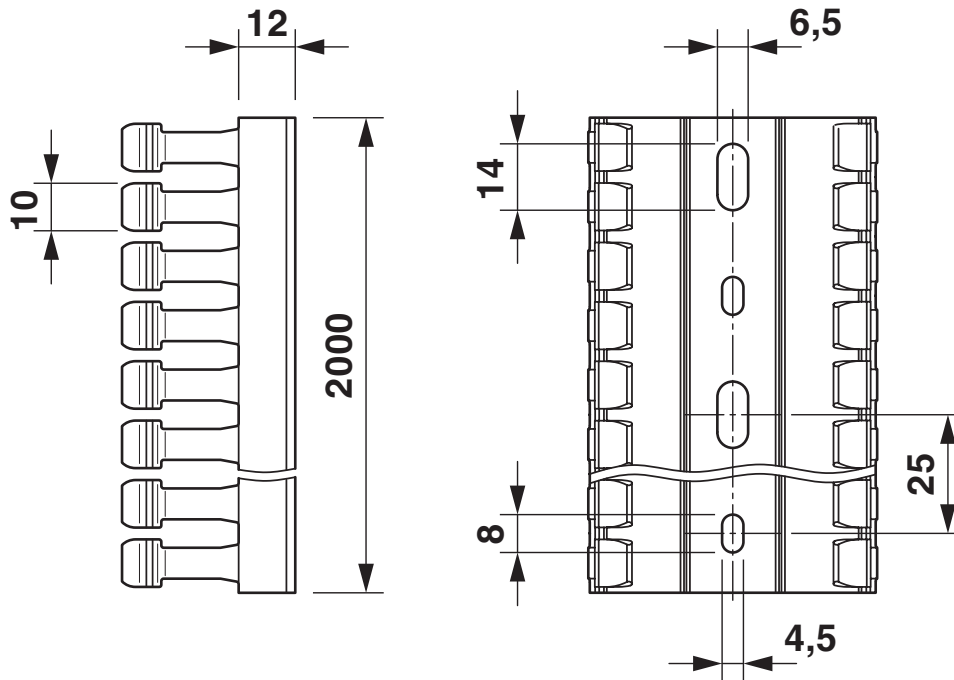
3240355

<https://www.phoenixcontact.com/pc/products/3240355>



Drawings

Dimensional drawing



Base perforation according to DIN EN 50085

CD-HF 60X100 - Cable duct



3240355

<https://www.phoenixcontact.com/pc/products/3240355>

Approvals

To download certificates, visit the product detail page: <https://www.phoenixcontact.com/pc/products/3240355>



CSA

Approval ID: 248269



UL Recognized

Approval ID: FILE E 328576



VDE Zeichengenehmigung

Approval ID: 40028972



EAC

Approval ID: RU C-DE.PB68.W.00513

CD-HF 60X100 - Cable duct



3240355

<https://www.phoenixcontact.com/pc/products/3240355>

Classifications

ECLASS

ECLASS-11.0	27400703
ECLASS-12.0	27400703
ECLASS-13.0	27400703

ETIM

ETIM 9.0	EC000012
----------	----------

UNSPSC

UNSPSC 21.0	39131700
-------------	----------

CD-HF 60X100 - Cable duct

3240355

<https://www.phoenixcontact.com/pc/products/3240355>



Environmental product compliance

China RoHS	Environmentally friendly use period: unlimited = EFUP-e
	No hazardous substances above threshold values

CD-HF 60X100 - Cable duct

3240355

<https://www.phoenixcontact.com/pc/products/3240355>



Accessories

CD-HF COVER 60 - Cover profile

3240372

<https://www.phoenixcontact.com/pc/products/3240372>



Cover for cable duct, light gray, halogen-free, width: 60 mm, length: 2000 mm

RVT-PA 4 - Fastening clip

3240498

<https://www.phoenixcontact.com/pc/products/3240498>



Plastic body-bound rivet, for hole diameter of 4 mm and a material thickness of 1.5 ... 6 mm

CD-HF 60X100 - Cable duct

3240355

<https://www.phoenixcontact.com/pc/products/3240355>



RVT-PA 6 - Fastening clip

3240499

<https://www.phoenixcontact.com/pc/products/3240499>



Plastic body-bound rivet, for hole diameter of 6 mm and a material thickness of 1.5 ... 6 mm

UNIFOX-RVT P 4 - Tool

1212478

<https://www.phoenixcontact.com/pc/products/1212478>



Rivet setting tool, for use with RVT-PA 4 plastic body-bound rivets

CD-HF 60X100 - Cable duct

3240355

<https://www.phoenixcontact.com/pc/products/3240355>



UNIFOX-RVT P 6 - Tool

1212509

<https://www.phoenixcontact.com/pc/products/1212509>



Rivet setting tool, for use with RVT-PA 6 plastic body-bound rivets

Phoenix Contact 2024 © - all rights reserved

<https://www.phoenixcontact.com>

PHOENIX CONTACT GmbH & Co. KG

Flachsmarktstraße 8

D-32825 Blomberg

+49 (0) 5235-3 00

info@phoenixcontact.com