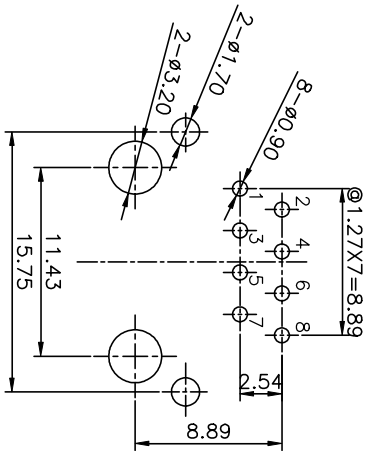


CATEGORY 6 CHARACTERISTIC:

Frequency	Near-End Cross Talk dB, MIN.	Return Loss dB, MIN.	Attenuation dB, MAX.
1.0 MHZ	75.0	35.5	0.1
4.0 MHZ	75.0	35.5	0.1
10.0 MHZ	74.0	35.5	0.1
16.0 MHZ	69.9	35.5	0.1
25.0 MHZ	66.0	35.5	0.1
31.25 MHZ	64.1	34.1	0.1
62.5 MHZ	58.1	28.1	0.1
100.0 MHZ	54.0	24.0	0.2
200.0 MHZ	48.0	18.0	0.3
250.0 MHZ	46.0	16.0	0.3



**NOTES:**

**ELECTRICAL:**

- VOLTAGE RATING : 125VAC.
- CURRENT RATING : 1.5 AMP.
- CONTACT RESISTANCE : 35 MILLIOHMS MAX.
- INSULATION RESISTANCE: 1000 MEGOHMS @ 500 VDC. MIN.
- DIELECTRIC STRENGTH : 1000 VAC 60HZ, 1MIN.

**MECHANICAL:**

- HOUSING MATERIAL : HIGH TEMP. UL94V-0.
- CONTACT MATERIAL : PHOSPHOR BRONZE T=0.35mm.
- SHIELD MATERIAL : COPPER ALLOY T=0.20mm.
- PLATING : SELECTIVE GOLD PLATING OVER NICKEL.
- OPERATING LIFE : 750 CYCLES MIN.
- PCB RETENTION PRE-SOLDER : 1 LB MIN.
- PCB RETENTION POST-SOLDER : 10 LBS MIN.

**ENVIRONMENTAL:**

- STORAGE : -40°C TO +85°C
  - OPERATION : -40°C TO +85°C.
- MATES WITH MODULAR PLUG CONFORMING TO TIA-1096-A.

**ORDERING INFORMATION:**

PART NUMBER : PRODUCT CODE : CONFIGURATION

3257-0005-01 : RJJS-88-122-ETV-022 : 60" GOLD PLATING

3257-0005-02 : RJJS-88-142-ETV-022 : 30U" GOLD PLATING

**UL** RECOGNIZED - FILE #E465899

MARK	ECN-NO.	REVISION RECORD	DRAWN	DATE
ΔX2		ADD NEW P/N.	DORIS	010714'
ΔX1		MODIFY P/N COMMENT	QUAN	012113'
ΔX1		MODIFY P/N COMMENT	PETER	091410'
ΔX1		ADD NEW P/N(3)	YANG	052209'
ΔX0	0069600	NEW DESIGN	YANG	033109

UNLESS OTHERWISE SPECIFIED TOLERANCE	SCALE	CHECKED
Dimension Range Tolerance	1.25/1	
XX	±0.20 UNIT	APPROVED
XXX	±0.15	
XXXX	±0.10	
ANGLE	±5°	
NAME	A3	SHEET
		1/1

Material/Plates/Notes

SEE NOTE

CAT.6 TOP ENTRY MODULE JACK STP

Tooling No.	PART NO.	SEE NOTE	REV.
	DOC. NO.		4