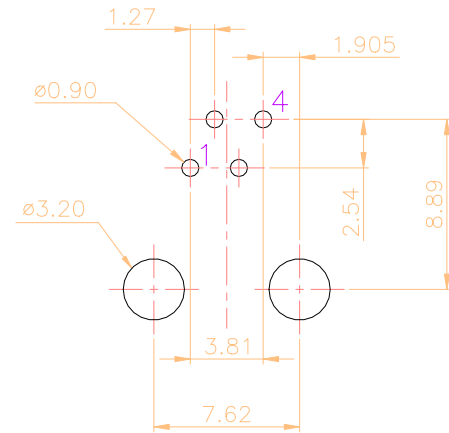
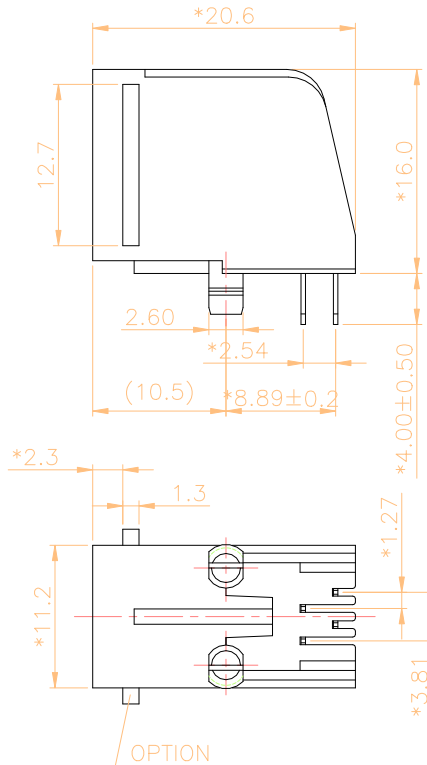
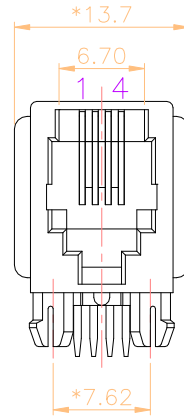


RoHS

THIS IS A RoHS COMPLIANT COMPONENT/PRODUCT.



PCB LAYOUT COMPONENT SIDE SHOWN

NOTES:

ELECTRICAL:

- 1. VOLTAGE RATING : 125 VAC MIN.
- 2. CURRENT RATING : 15 AMP MIN.
- 3. CONTACT RESISTANCE : 50 MILLIOHMS MAX.
- 4. INSULATION RESISTANCE : 500 MEGAOHMS MIN @ 1000 VDC.
- 5. DIELECTRIC STRENGTH : 1000 VAC 60HZ, 1 MIN.

MECHANICAL:

- 1. HOUSING MATERIAL : GLASS FILLED POLYESTER UL94V-0.
- 2. CONTACT MATERIAL : PHOSPHOR BRONZE T=0.35MM.
- 3. PLATING : 1. CONTACT AREA - SELECTIVE GOLD PLATING.  
2. TAILS - 150U" TIN-LEAD MIN OVER 50U" NICKEL.
- 4. OPERATING LIFE : 750 CYCLES MIN.
- 5. PCB RETENTION PRE-SOLDER : 1 LB MIN.
- 6. PCB RETENTION POST-SOLDER : 10 LBS MIN.

ENVIRONMENTAL:

- 1. STORAGE : -40°C TO +85°C.
- 2. OPERATION : -40°C TO +85°C.

MATES WITH MODULAR PLUG CONFORMING TO FCC PART 68, SUBPART F.

ORDERING INFORMATION:

PART NUMBER	PRODUCT CODE	CONFIGURATION
3257-00II-01	RJJU-44-121-E7V-0II	6U" GOLD PLATING, WITH PANEL STOP
3257-00II-02	RJJU-44-122-E7V-0II	6U" GOLD PLATING, WITHOUT PANEL STOP
3257-00II-03	RJJU-44-141-E7V-0II	30U" GOLD PLATING, WITH PANEL STOP
3257-00II-04	RJJU-44-142-E7V-0II	30U" GOLD PLATING, WITHOUT PANEL STOP

UL RECOGNIZED - FILE #E465899

△X2		UPDATE DRAWING(1)	YANG	011209
△X0	000000	NEW DESIGN	SAIL	030108
MARK	ECN-NO.	REVISION RECORD	DRAWN	DATE
		UNLESS OTHERWISE SPECIFIED TOLERANCE	SCALE	CHECKED
		Dimension Range   Tolerance	1:1	EVA
		X.X ±0.20 UNIT	APPROVED	
		X.XX ±0.15 mm	PETER	
		X.XXX ±0.10 SIZE	A3	SHEET 1/1
		ANGLE ±5°		
Material/Plated/Notes		NAME		
SEE NOTE		SIDE ENTRY PCB JACK 4P4C		
Tooling No.		PART NO.	SEE NOTE	REV.
		DOC. NO.		1