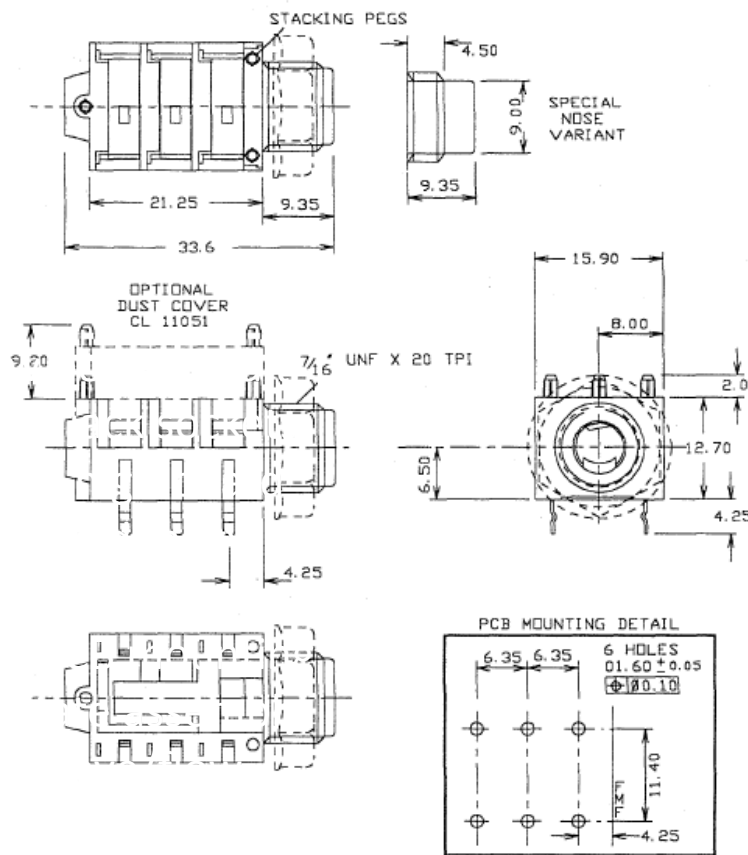


Datasheet

2way PCB mount jack skt, 1/4in

RS Stock number [342-4471](#)

Dimensions: mm



Specifications

Narrow bodied multi purpose jack sockets offering high board packing density available

Snap-in PCB mounting to facilitate assembly and wave/flow soldering

Use as a single unit, mono or stereo contacts

Long life contacts

Tough and durable

Mounting hole 11.2 mm Ø