

344260-1 ✓ ACTIVE

AMP | Econoseal

TE Internal #: 344260-1

Econoseal, Housing for Male Terminals, Wire-to-Wire, 13 Position, .189 in [4.8 mm] Centerline, Sealable, Black

[View on TE.com >](#)



Connectors > Automotive Connectors > Connector Housings > ECONOSEAL, CONNECTOR HOUSING



Connector & Housing Type: **Housing for Male Terminals**

Connector System: **Wire-to-Wire**

Number of Positions: **13**

Centerline (Pitch): **4.8 mm [.189 in]**

Sealable: **Yes**

[All ECONOSEAL, CONNECTOR HOUSING \(88\)](#)

Features

Product Type Features

Connector & Housing Type	Housing for Male Terminals
Connector System	Wire-to-Wire
Sealable	Yes
Hybrid Connector	No
Primary Locking Feature	Integrated in Housing

Configuration Features

Number of Positions	13
Number of Rows	3

Body Features

Cable Exit Angle	180°
Body Material	PA
Primary Product Color	Black

Mechanical Attachment

Mounting Feature	Without
Terminal Position Assurance	Yes
Strain Relief	No
Mating Alignment Type	Polarized



Housing Features

Centerline (Pitch)	4.8 mm[.189 in]
--------------------	-----------------

Dimensions

Product Width	35.5 mm[1.398 in]
Product Length	32.7 mm[1.287 in]
Product Height	31.9 mm[1.256 in]
Row-to-Row Spacing	5.6 mm[.22 in]

Packaging Features

Packaging Quantity	700
Packaging Method	Box

Other

Connector Position Assurance Capable	No
--------------------------------------	----

Product Compliance

[For compliance documentation, visit the product page on TE.com>](#)

EU RoHS Directive 2011/65/EU	Compliant
EU ELV Directive 2000/53/EC	Compliant
China RoHS 2 Directive MIIT Order No 32, 2016	No Restricted Materials Above Threshold
EU REACH Regulation (EC) No. 1907/2006	Current ECHA Candidate List: JAN 2022 (223) Candidate List Declared Against: JAN 2022 (223) Does not contain REACH SVHC
Halogen Content	Low Halogen - Br, Cl, F, I < 900 ppm per homogenous material. Also BFR/CFR/PVC Free
Solder Process Capability	Not applicable for solder process capability

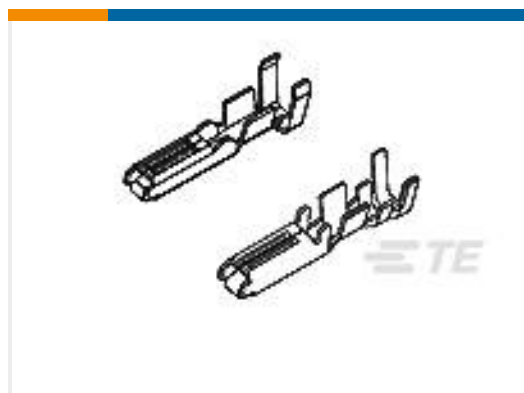
Product Compliance Disclaimer

This information is provided based on reasonable inquiry of our suppliers and represents our current actual knowledge based on the information they provided. This information is subject to change. The part numbers that TE has identified as EU RoHS compliant have a maximum concentration of 0.1% by weight in homogenous materials for lead, hexavalent chromium, mercury, PBB, PBDE, DBP, BBP, DEHP, DIBP, and 0.01% for cadmium, or qualify for an exemption to these limits as defined in the Annexes of Directive 2011/65/EU (RoHS2). Finished electrical and electronic equipment products will be CE marked as required by Directive 2011/65/EU. Components may not be CE marked. Additionally, the part numbers that TE has identified as EU ELV compliant have a maximum concentration of 0.1% by weight in homogenous materials for lead, hexavalent chromium, and mercury, and 0.01% for cadmium, or qualify for an exemption to these limits as defined in the Annexes of Directive 2000/53/EC (ELV). Regarding the REACH Regulation, the information TE provides on SVHC in articles for this part number is based on the latest European Chemicals Agency (ECHA) 'Guidance on requirements for substances in articles' posted at this URL: <https://echa.europa.eu/guidance-documents/guidance-on-reach>

Compatible Parts



TE Part # CAT-EC7491-CH8172
ECONOSEAL, CONNECTOR
HOUSING

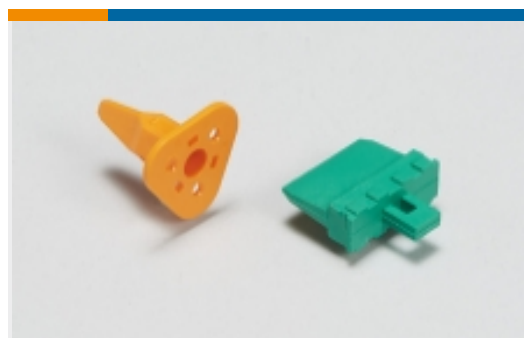


TE Part # 345261-1
070 SERIES RECEPT.

Also in the Series | Econoseal



Automotive Connector Caps & Covers
(1)



Automotive Connector Locks &
Position Assurance(25)



Automotive Housings(60)



Automotive Seals & Cavity Plugs(17)



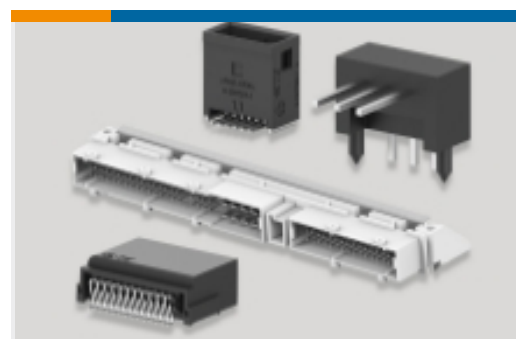
Automotive Terminals(47)



Insertion & Extraction Tools(7)



Other Automotive Connector
Accessories(5)

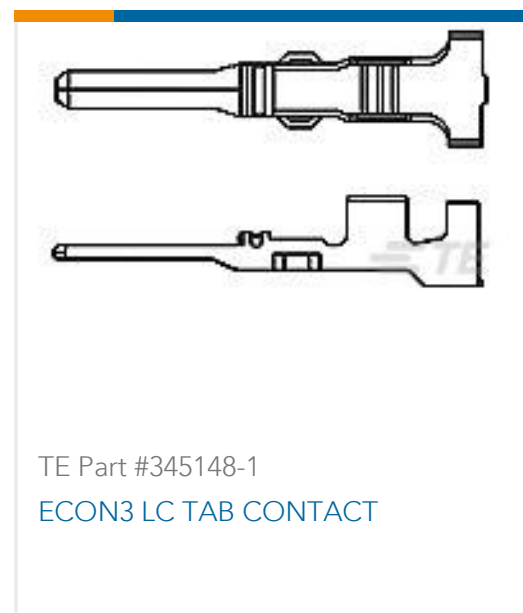


PCB Headers & Receptacles(4)



Power Cable(1)

Customers Also Bought



Documents

Product Drawings

13 WAY TAB HOUSING ECONO

English

CAD Files

3D PDF

3D

Customer View Model

[ENG_CVM_CVM_344260-1_D.2d_dxf.zip](#)

English

Customer View Model

[ENG_CVM_CVM_344260-1_D.3d_igs.zip](#)

English

Customer View Model

[ENG_CVM_CVM_344260-1_D.3d_stp.zip](#)

English

By downloading the CAD file I accept and agree to the [Terms and Conditions](#) of use.

Datasheets & Catalog Pages

344260-1

Econoseal, Housing for Male Terminals, Wire-to-Wire, 13 Position, .189 in [4.8 mm]
Centerline, Sealable, Black



Econoseal Connector Series

English