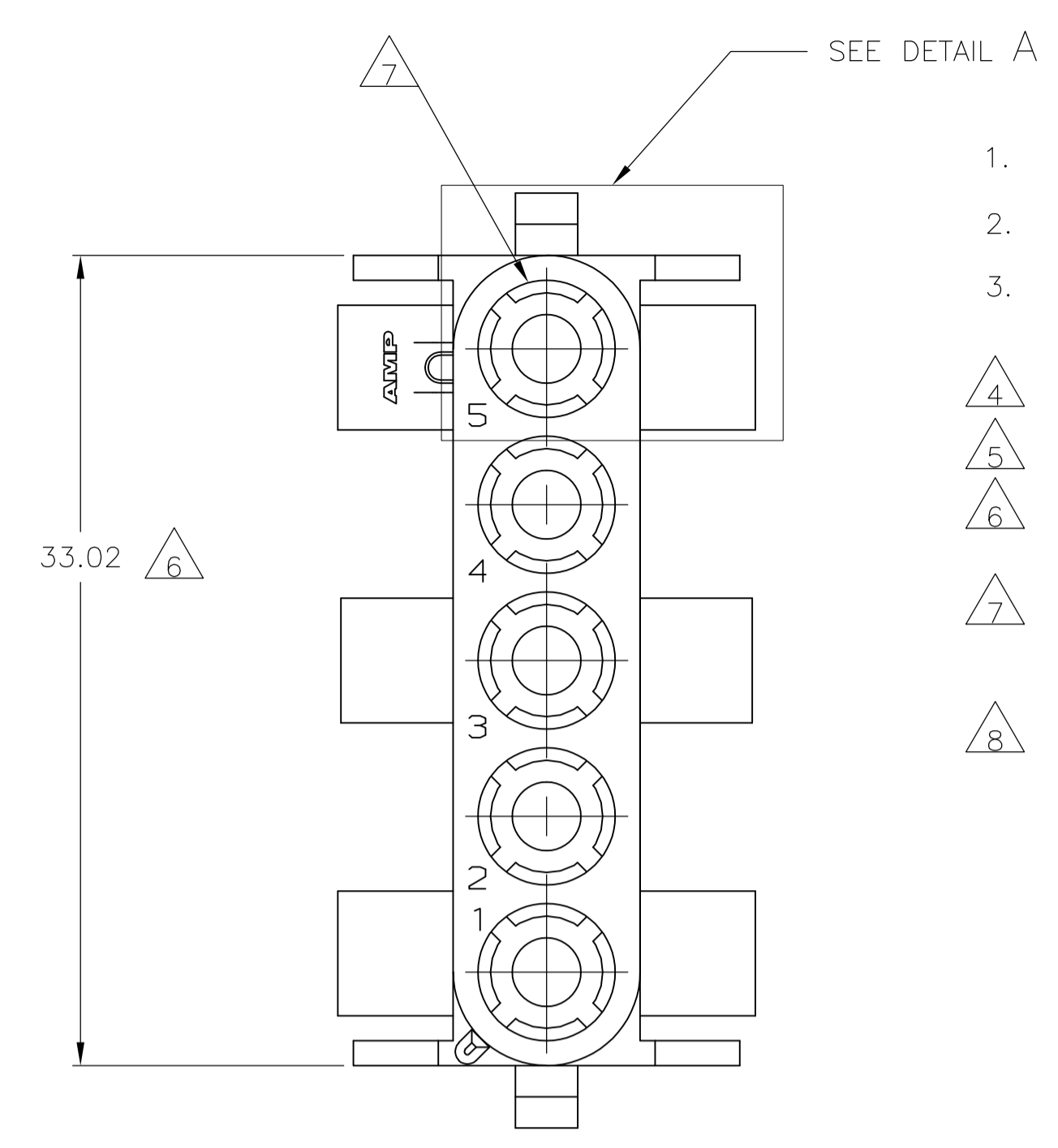
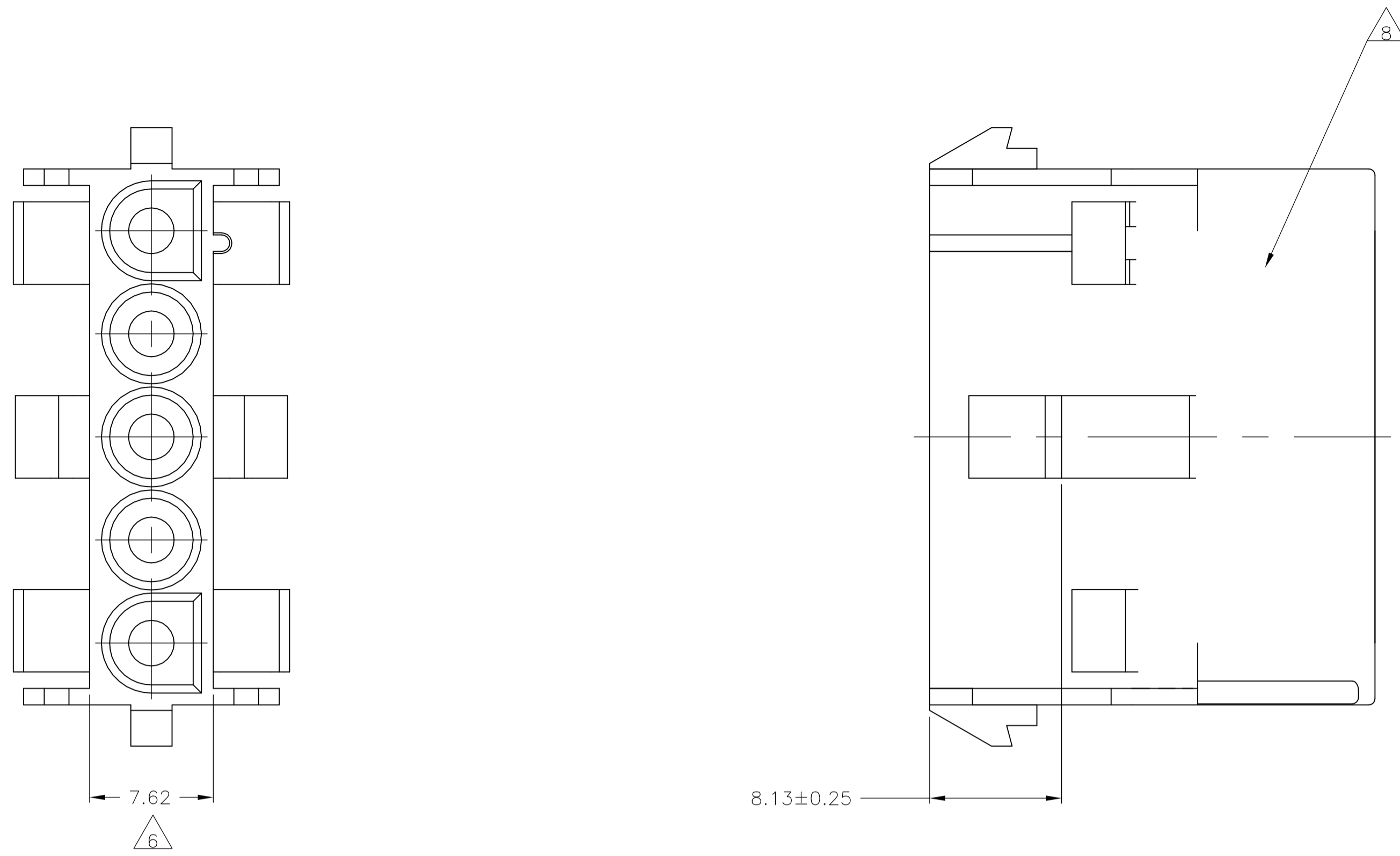
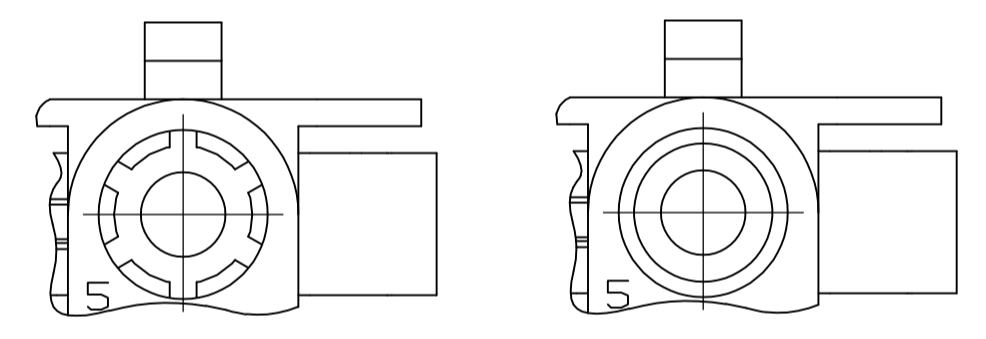


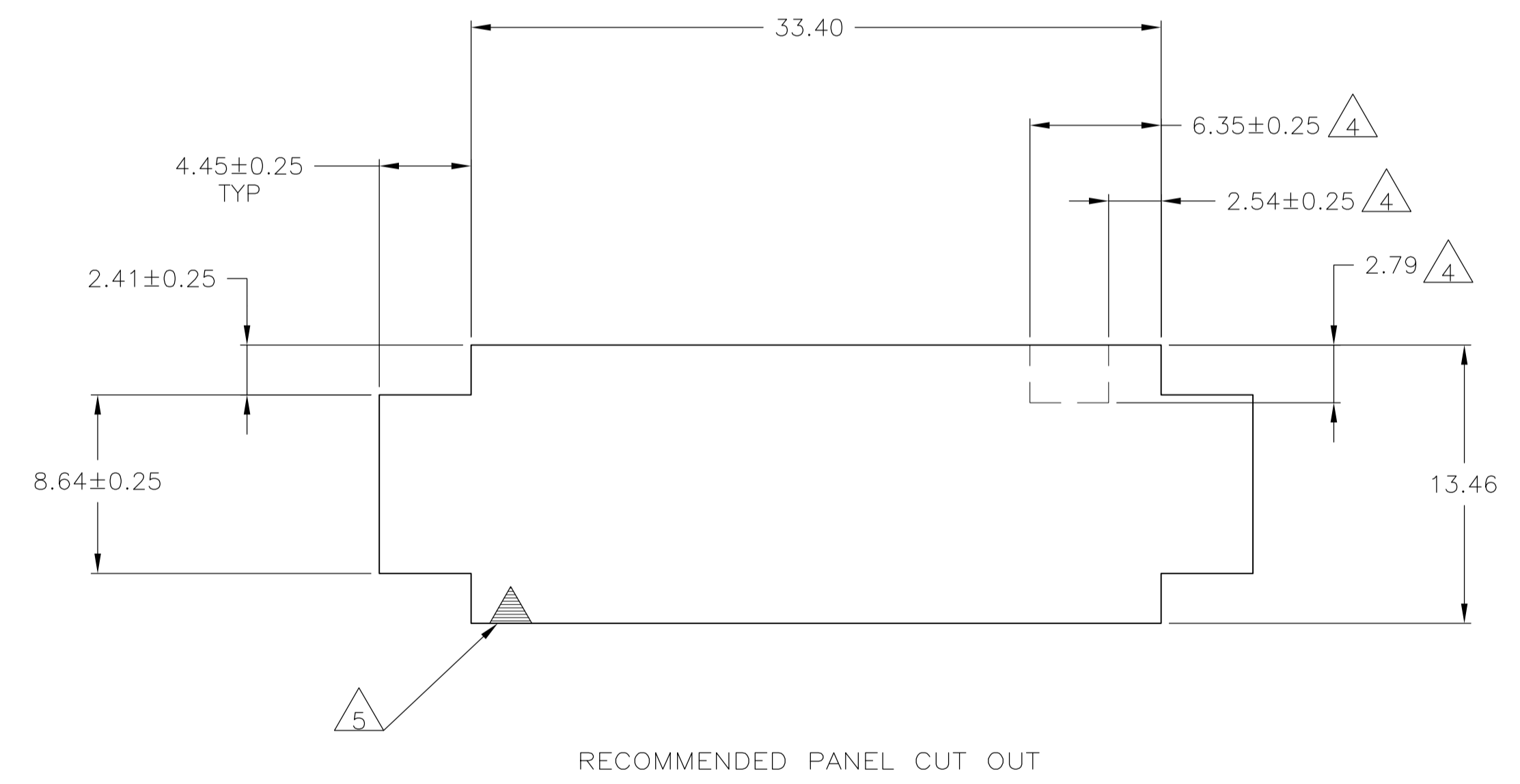
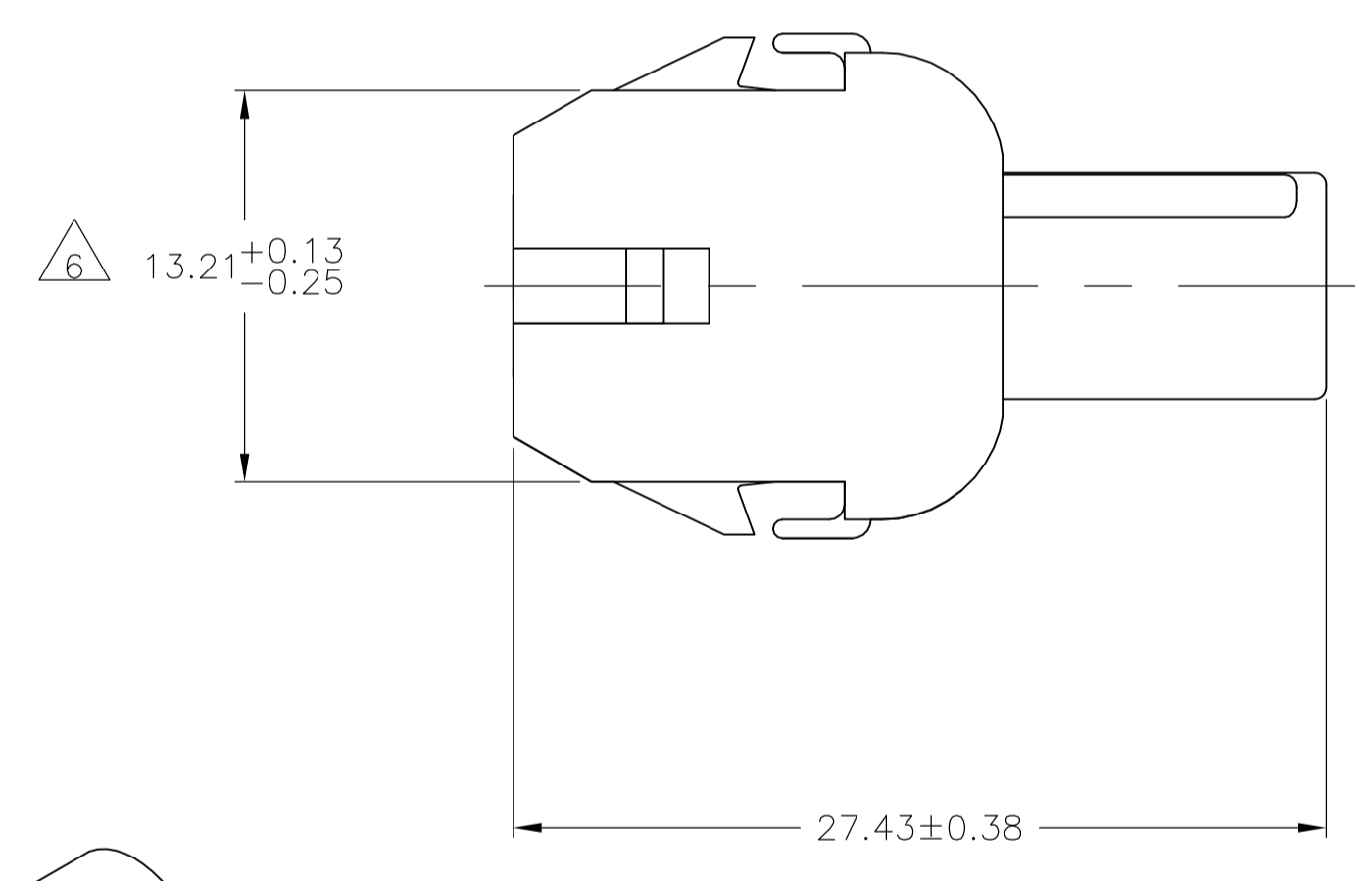
LOC	DIST	REVISIONS			
CM	53	REV	DESCRIPTION	DATE	BY
W4	REVISED PER ECR-14-002737			24FEB2014	KB RRP



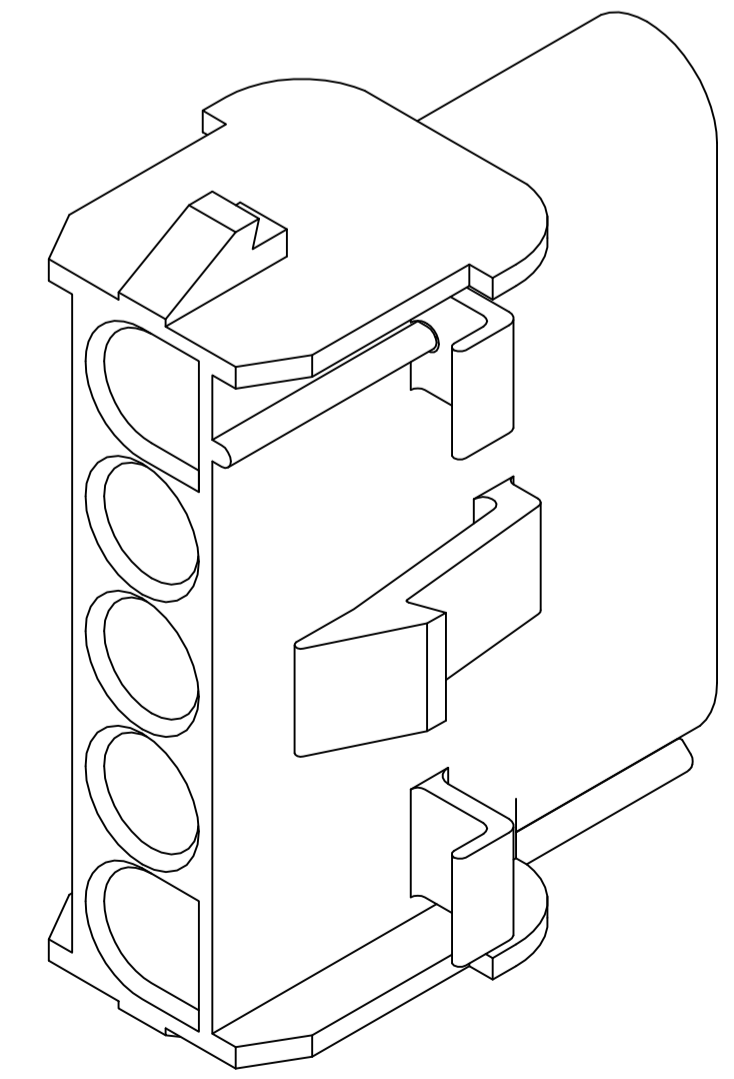
1. MATES WITH APPROPRIATE UNIVERSAL MATE-N-LOK™ PLUG.
2. RECOMMENDED PANEL THICKNESS 0.76 - 2.29.
3. PANEL MUST BE PUNCHED SO THAT THE HOUSING ENTERS THE PANEL IN THE SAME DIRECTION AS THE PUNCH.
4. OPTIONAL FOR KEYING HOUSING IN PANEL.
5. CIRCUIT NUMBER 1 LOCATION.
6. DIMENSION INDICATED IS AS MOLDED. ADDITIONAL GROWTH DUE TO SUBSEQUENT MOISTURE ABSORPTION MAY OCCUR.
7. FOUR RIBS EQUALLY SPACED, NO SPECIFIC ORIENTATION. NO RIBS OR SIX RIBS EQUALLY SPACED, NO SPECIFIC ORIENTATION, OPTIONAL.
8. UNDERWRITERS RECOGNIZED COMPONENT LOGO AND CSA CERTIFICATION LOGO TO BE LOCATED ONCE EACH ON SIDE OF HOUSING.



DETAIL E
OPTIONAL CONSTRUCTIONS



RECOMMENDED PANEL CUT OUT

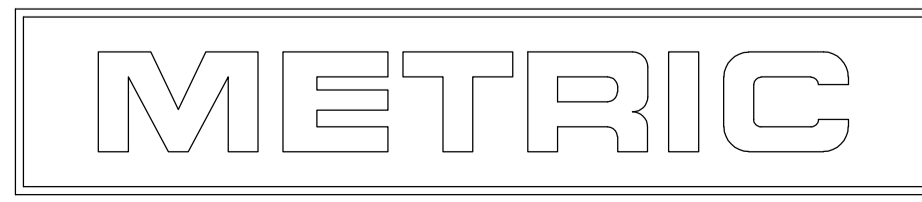


3-DIMENSIONAL MODEL
NTS

MM	IN	MM	IN
4.45	.175	33.40	1.315
2.79	.110	33.02	1.300
2.54	.100	27.43	1.080
2.41	.095	13.46	.530
2.29	.090	13.21	.520
0.76	.030	8.64	.340
0.38	.015	8.13	.320
0.25	.010	7.62	.300
0.13	.005	6.35	.250

CONVERSION TABLE

GWT 750°C (NO FLAME)	COLOR	PART NUMBER
	NATURAL	350810-2
	BLACK	1-350810-9
	GRAY	1-350810-8
	BLUE	1-350810-6
	GREEN	1-350810-5
	YELLOW	1-350810-4
	ORANGE	1-350810-3
	RED	1-350810-2
	BROWN	1-350810-1
	NATURAL	350810-1
	COLOR	PART NUMBER



THIS DRAWING IS A CONTROLLED DOCUMENT.

DIMENSIONS: mm
 TOLERANCES UNLESS OTHERWISE SPECIFIED:
 0. PLC ± -
 1. PLC ± -
 2. PLC ± 0.13
 3. PLC ± -
 4. PLC ± -
 ANGLES ± 1°

MATERIAL: NYLON,UL 94V-0
 FINISH: -

DWG: K. WHITAKER 07JUL92
 CHK: R. SWING 07JUL92
 APVD: D. SELF 08JUL92
 NAME: CAP.5 CIRCUIT, UNIVERSAL MATE-N-LOK™
 APPLICATION SPEC: -
 WEIGHT: -
 CUSTOMER DRAWING

SIZE: A1
 CAGE CODE: 00779
 DRAWING NO: 350810
 SCALE: 4:1
 SHEET: 1 of 1
 REV: W4

STE TE Connectivity