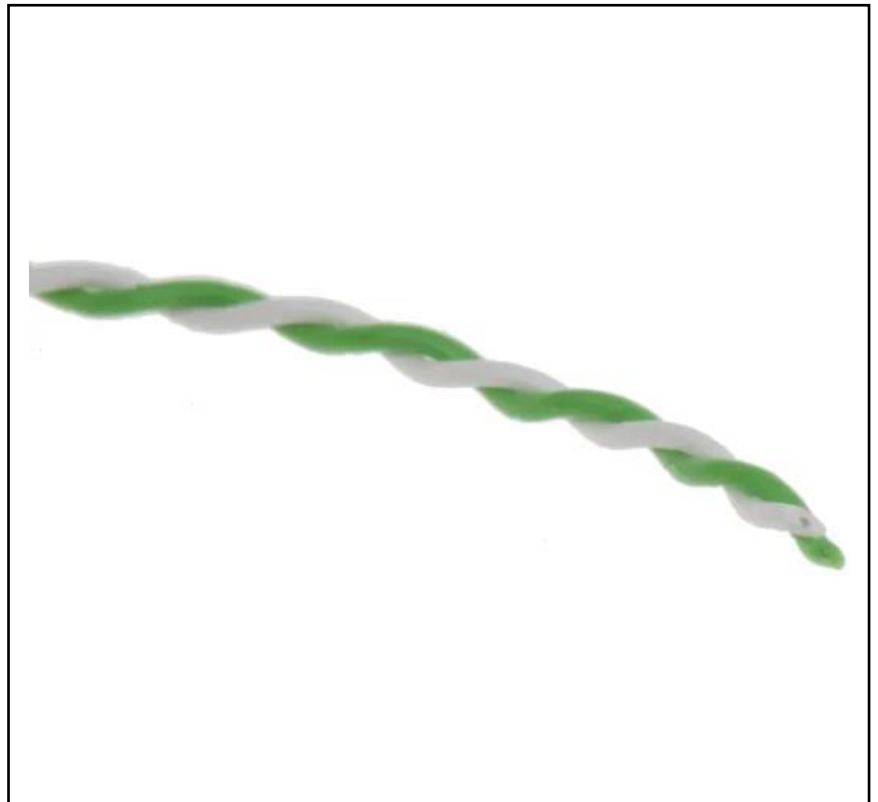


FEATURES

- PTFE twin twisted pair for extending or making simple thermocouples
- Single pair of PTFE insulated conductors twisted together
- Good mechanical strength and flexibility
- Tolerance Class 1 for optimum accuracy

Thermocouple Wire Type K, - 75 → +250 °C 1 Core Unscreened PTFE Sheath 25m

RS Stock No.: 363-0389



RS Professionally Approved Products bring to you professional quality parts across all product categories. Our product range has been tested by engineers and provides a comparable quality to the leading brands without paying a premium price.

Product Description

From the trusted brand RS PRO, comes a range of high quality and great value thermocouple extension cables. Manufactured to industry standards, these extension wires are an excellent solution for extending the distance between a temperature probe and the instrument that providing the reading.

General Specifications

Thermocouple Type	K
Number Of Cores	2; 7; 12
Screened/Unscreened	Unscreened
Insulation Material	PTFE
Cable Shape	Twin twisted
Number Of Strands	1
Standards Met	IEC 584
Applications	Medical - research into DNA and hypodermic insertion to detecting a tumour; Vehicle diagnostics - used to monitor and adjust factors such as battery health, exhaust readings, spark plug function and brake performance; Temperature readings in boilers, heating sensors, and ovens; Food thermometers, industrial probes, and sensors

Electrical Specifications

Power Consumption Max	170VA dropping to 20VA during charging
Loop Resistance	Type K at 31.8 Ohms/metre

Mechanical Specifications

Length	25m
Core Strands	1/0.2mm
Size Of Strands	0.2mm
Energy Output	0-60 Joules
Welding Capacity Wires	Up to 1.1mm Diameter
Duty Cycle Minimum	5-10 welds/min
Physical Dimensions	220mm wide x 120mm high x 250mm depth
Weight	4kg
Section	0.032mm ²

Operation Environment Specifications

Minimum Operating Temperature	-75°C
Maximum Operating Temperature	250°C

Approvals

Compliance/Certifications	RoHS Certificate Of Compliance
----------------------------------	--------------------------------





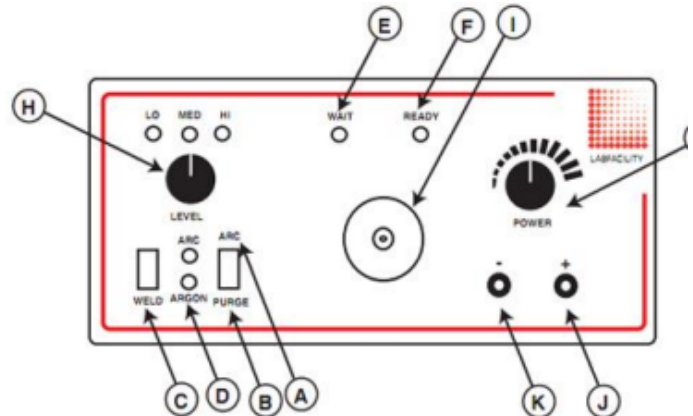
(Front View)



(Rear View)



Thermocouple Welder Controls



- | | | |
|---|------------------|---|
| A | Arc | Argon gas and weld current controlled by the "Weld" switch. LED indication |
| B | Purge | Allows the gas line and electrode shield to be purged of air prior to a new welding period |
| C | Weld Switch | Initiates a welding operation (in "arc" mode also opens the Argon valve) |
| D | Argon LED | Indicates when the Argon control valve is open and gas is flowing |
| E | Wait LED | Glow when weld charge is building |
| F | Ready LED | "Ready to Weld" indication |
| G | Power | Rotary control of the capacitor charge voltage |
| H | Level Selector | Selects the total capacitance available giving the following values with LED indication |
| | | "LO" = 0 to 6 Joules |
| | | "MED" = 0 to 28 Joules |
| | | "HI" = 0 to 64 Joules |
| I | Electrode Holder | Holds the replaceable carbon electrode which is accessible by removing the outer Argon Shield |
| J | Red Socket | Output socket for using the pliers supplied |
| K | Black Socket | Output socket, this provides an additional earth |

T/C Type	Conductors	mm ²	Cores	Reel Length	Allied code	RS order code
KX	1/0.2mm	0.032	+Green/-White	10 metres	70657140	827-5801
KX	1/0.2mm	0.032	+Green/-White	25 metres	70643608	363-0389
KX	1/0.2mm	0.032	+Green/-White	50 metres	70657141	827-5805
KX	1/0.2mm	0.032	+Green/-White	100 metres	70657144	827-5814
TX	1/0.2mm	0.032	+Brown/-White	10 metres	70657145	827-5817
TX	1/0.2mm	0.032	+Brown/-White	25 metres	70643609	363-0402
TX	1/0.2mm	0.032	+Brown/-White	50 metres	70657143	827-5811
TX	1/0.2mm	0.032	+Brown/-White	100 metres	70657146	827-5820